

LED NEON TUBE

ITEM NO.: LNF-PVC-TF1616 Series

INSTRUCTION OF LED NEON TUBE/ LNF-PVC-TF1616

Led neon FLEX is widely used replacing Glass neon and used in Outlining Bulidings /Signage letters/Sign/Border of counters,walkways,landscaping,gardens,decks, cabinets and furniture.It has the advantages of Flexibility, safety, energy saving and easy installation and transportation over Glass neon.Production efficiency and cycle are greatly improved and the delivery time shorten.

A. Specification

A-1. Structure:

Materials Of Shell: ECO PVC
 Rotary Angle: 120°
 Operating Voltage: 24V DC
 Protection Rating: IP68
 Operating Temperature:-20°C~40°C



LNF-PVC-TF1616

A-2. Model Configuration Table:

Model No.	LED Color	LED Quantity	Power Per Meter	Input Voltage	Size	Weight	✓
LNF-PVC-TF1616	WW/W/NW	144	10 WATTS	24V DC	L1000mm	0.35kg±5%	
LNF-PVC-TF1616	WW/W/NW	120	9 WATTS	24V DC	L1000mm	0.35kg±5%	

B. Working Mode

B-1. Steady Color Mode: Diectly connected to the power supply work.

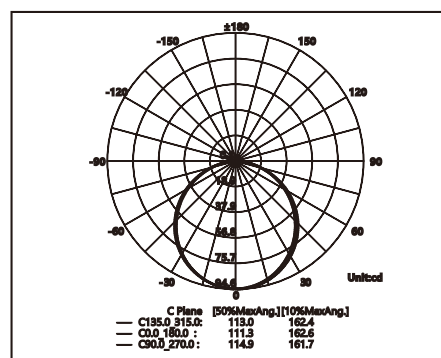
C. Photometric Parameters

C-1. Cadela Distribution

LNF-PVC-TF1616

Photometric

AVERAGE BEAM ANGLE(50%):116.7 DEG



LED NEON TUBE

ITEM NO.: LNF-PVC-TF1616 Series

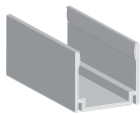
D. Dimension Drawing



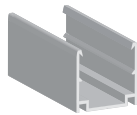
E. Installation Drawing

E-1. Use M4 screws to fix the base. The mounting size as below:

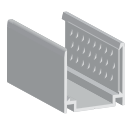
E-2. Angle adjustment: Rotating lightbody directly.



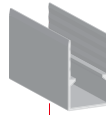
ALC16S01-S



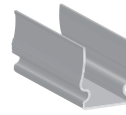
ALC16S02-S



ALC16AD01-S



ALC16H01-S



SSC16S01-05



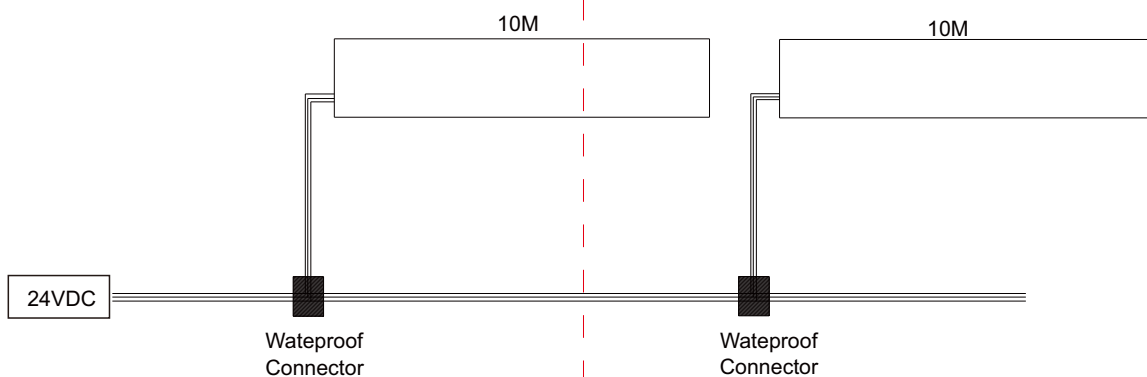
SSC16FLX



ACC-HX-S2830C2

F. Connection

F-1. Static color in high voltage connection instruction :



Caution:

1. Do not plug them into power when the product is still in package;
2. Don't use anything to cover the fixture during application;
3. Don't use this product in close environment;
4. If this product appears to be damaged, do not attempt any repair, please contact your dealer.

Warning:

- * Please ensure the ground connection, so as to avoid the electric shock.
- * Application in close environment is prohibited.

Note: The above instruction are subject to update or improved without notice. Pls turn to our staff for further details !
 Thanks for your long term support !