

# LED LINEAR STRIP

ITEM NO: LLS-W50D Series

## INSTRUCTION OF LED LINEAR STRIP / LLS-W50D

This product is mainly used for advertisement background, bridge, river bank, building frame and other large dynamic site. It can achieve splendid rainbow effects and sketch the outline of buildings, etc.

### A. Specification

#### A-1. Structure:

Materials of Shell: Aluminum alloy +PC Cover  
 Input Voltage: 24V DC  
 Operating Voltage: 24V DC  
 Protection Rating : IP65  
 Operating Temperature: -20°C~45°C



LLS-W50D-48

#### A-2. Model Configuration Table:

Model No.	LED Quantity	LED Color	Power Consumption	Size	Weight	✓
LLS-W50D-24-S	24(2835)	R,G,B,W,WW	6 Watt	L515×W72×H100mm	0.8±5%kgs	
LLS-W50D-48-S	48(2835)	R,G,B,W,WW	12 Watt	L1000×W72×H100mm	1.6±5%kgs	
LLS-W50D-24-DMX	24(5050)	RGB	6 Watt	L515×W72×H100mm	0.8±5%kgs	
LLS-W50D-48-DMX	48(5050)	RGB	12 Watt	L1000×W72×H100mm	1.6±5%kgs	

### B. Working Mode.

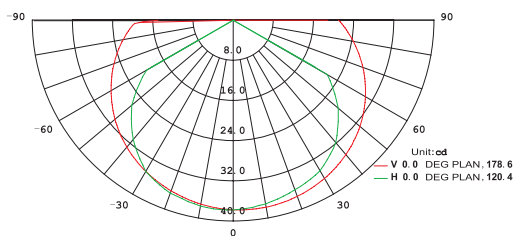
B-1 DMX System: Work with DMX controller

B-2 Steady Color: Connect power supply

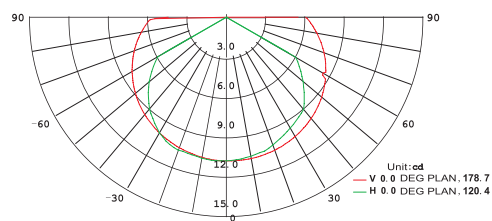
### C. Photometrics

#### C-1. Distribution Curve

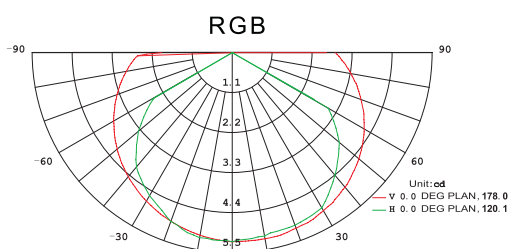
LLS-W50D-48



AVERAGE BEAM ANGLE (50%) : 149.5 DEG

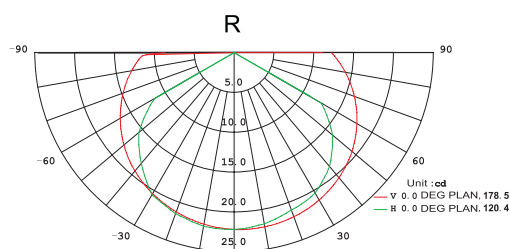


AVERAGE BEAM ANGLE (50%) : 149.6 DEG



AVERAGE BEAM ANGLE (50%) : 149.1 DEG

B



AVERAGE BEAM ANGLE (50%) : 149.4 DEG

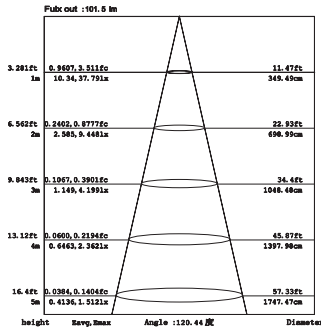
G

# LED LINEAR STRIP

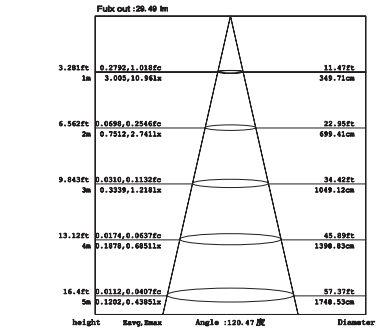
ITEM NO: LLS-W50D Series

## C-2. Illuminance at a distance

LLS-W50D-48

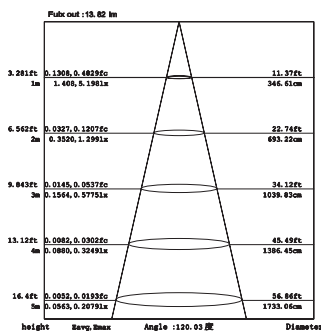


Note: The Curves indicate the illuminated area and the average illumination when the luminaire is at different distance.



Note: The Curves indicate the illuminated area and the average illumination when the luminaire is at different distance.

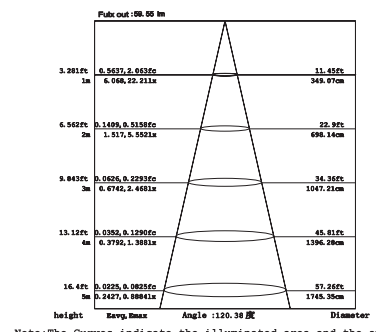
RGB



Note: The Curves indicate the illuminated area and the average illumination when the luminaire is at different distance.

B

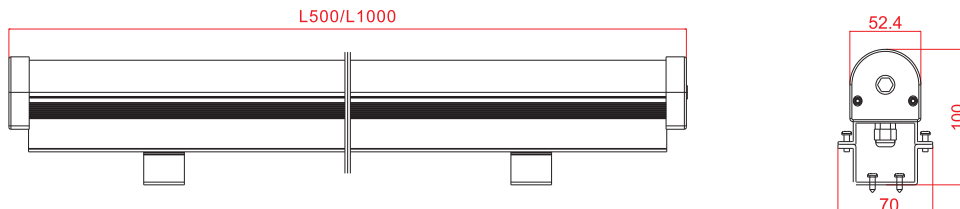
R



Note: The Curves indicate the illuminated area and the average illumination when the luminaire is at different distance.

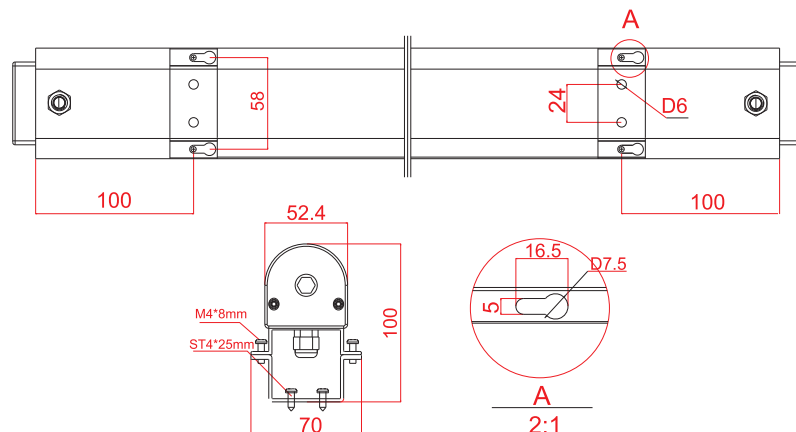
G

## D. Dimension drawing



## E. Installation

- 1: Screw the expansion screws in the fixed place, use ST4.8\*25 self-tapping screws to screw the bracket tightly in expansion screws.
- 2: Then put the light body in installation bracket and screw well by M4\*8 screws.

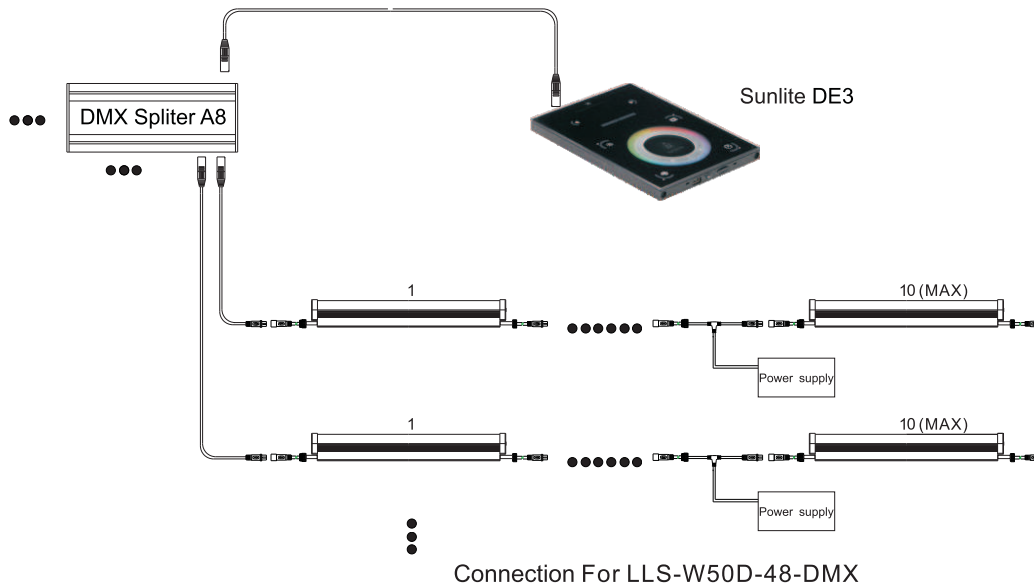


# LED LINEAR STRIP

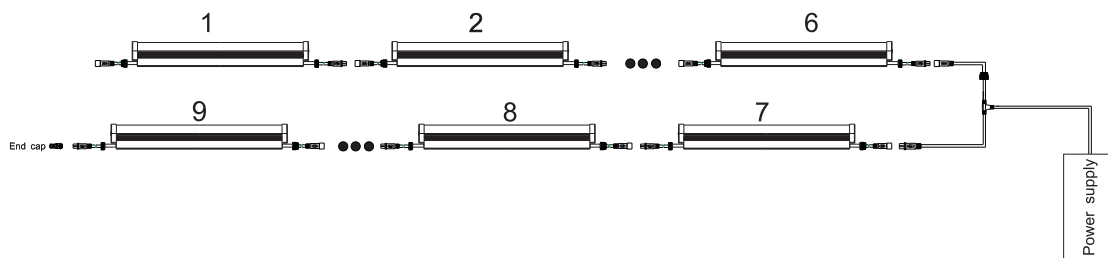
ITEM NO: LLS-W50D Series

## F. Connection

### F-1: DMX control mode



### F-2: Steady color mode



Model No.	Input Voltage	Power connection(Max)	Signal connection(Max)
LLS-W50D-24-DMX	24VDC	16PCS	20PCS
LLS-W50D-48-DMX	24VDC	8PCS	10PCS
LLS-W50D-24-S	24VDC	16PCS	-
LLS-W50D-48-S	24VDC	8PCS	-

### Caution:

1. Do not plug them into power when the product is still in package;
2. Don't use anything to cover the fixture during application;
3. Don't use this product in close environment;
4. If this product appears to be damaged, do not attempt any repair, please contact your dealer.

**Note:** The above instruction are subject to update or improved without notice. Pls turn to our staff for further details !  
 Thanks for your long term support !