

# LED VALUE PANEL TRI COLOR Backlit



## Highlights:

- Latest backlit LED technology platform
- 3CCT Switchable
- Step Dim
- Efficacy up to 100lm/W
- Available in 3 standard sizes:
- IP40 protection from diffuser side
- Long 60,000hr lifetime

## Application Areas:

- Offices
- Retail shops
- Hospitals
- Public area

## Advancing Light

One of the World's leaders in general lighting for lighting professionals as well as end users, offering



A broad variety of LED luminaires



Advanced LED lamps



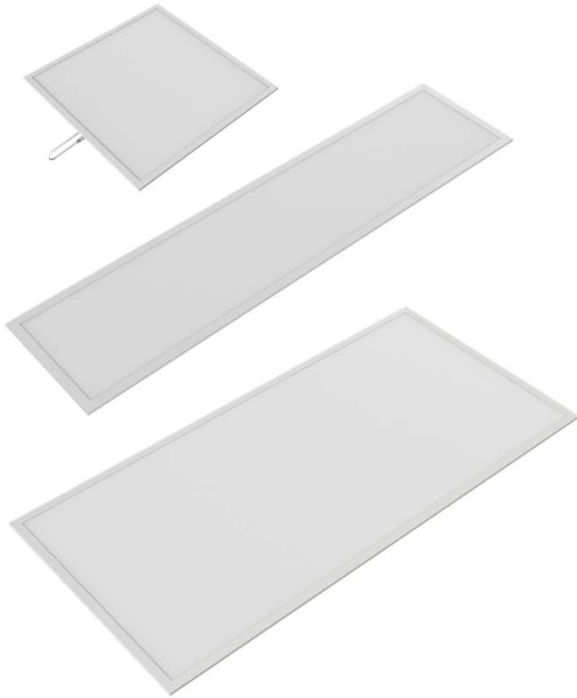
Intelligent, networked Smart Home & Smart Building solutions



Traditional light sources

# LED VALUE PANEL- Backlit

---



## PRODUCT FEATURES:

- Latest backlit LED technology platform
- Available in 3 standard metric sizes: 600x600, 300x1200, 600x1200mm
- Switchable CCT: 3000K, 4000K & 6500K
- High color rendering: CRI > 80
- High power factor: PF>0.90
- Recess mount with optional plaster ceiling mounting clips and suspension kit
- Flicker free driver
- EMC suppression circuit in driver
- Sturdy SPCC housing
- Safety compliance certificates: CB
- DALI version available upon request

## PRODUCT BENEFITS:

- Integrated heat resistance lens for uniform light distribution, reduce product height to only 32mm
- Long 60,000hr lifetime reduces maintenance costs
- Fast connector between panel and driver for easy installation and maintenance
- Seamless aluminum frame elegant design
- Switchable CCT 3000K,4000K and 6500K helps reduce inventory



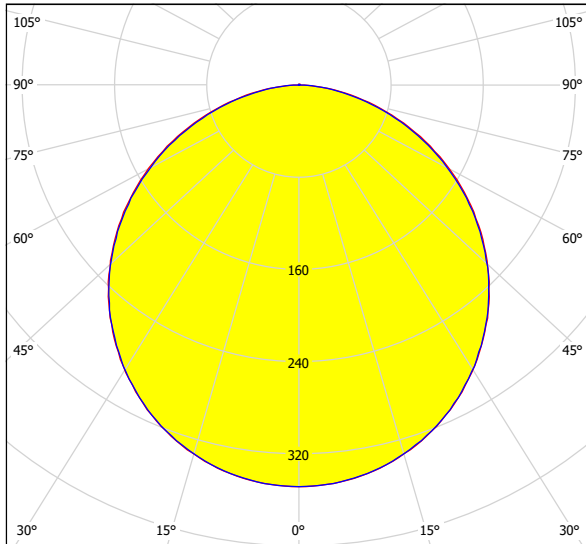
# Product Information

LED VALUE PANEL TRI COLOR BACKLIT		0606	0312	0612
Electrical Data	Wattage (W)	36/30		60/50
	Voltage range	220 - 240VAC		
	Power factor	0.9		
	Input current mA	160	230	
	Line frequency	50/60Hz		
	Surge Protection	1000V		
	Flicker	<5%		
	THD	≤ 20%		
	Protection class	Class II		
Optical/Photometric	Rated lumens (60/50)	3960/3300		6600/5500
	3000K	3960/3300		6600/5500
	4000K	3960/3300		6600/5500
	6500K	3960/3300		6600/5500
	CCT (K) Switch	3000K, 4000K & 6500K		
	Beam Angle	120D		
	UGR	<22		
	CRI	> 80		
	SDCM	< 6		
	System lumen efficacy lm/W	110		
	LED	SMD 2835		
	Rated lifetime L70B50	60,000 hrs @ Ta=35°C		
	Operating temperature	-10 - +50°C		
Storage temperature	-20 - +80°C			
Housing	Housing	Aluminum Frame AL6063		
	Diffuser	PS		
	Panel size (L x W x H mm)	1195X295x32	595x595x32	1195x595x32
	Weight (g)	1880	1720	3560
	Ingress protection	IP40 (front)/ IP20		
	Mounting	Recessed mount optional surface mount and suspension kits		
	Ingress protection	CB, EMC, ROHS 2.0, RG0		

# Polar Intensity Diagram

## LDVAL PL0606 36/30W TRI

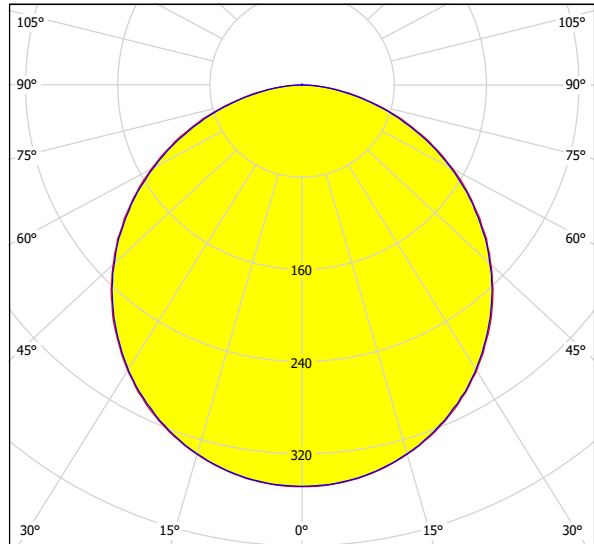
36W 6500K/4000K



cd/klm  
— C0 - C180 — C90 - C270

$\eta = 100\%$

30W 6500K/4000K

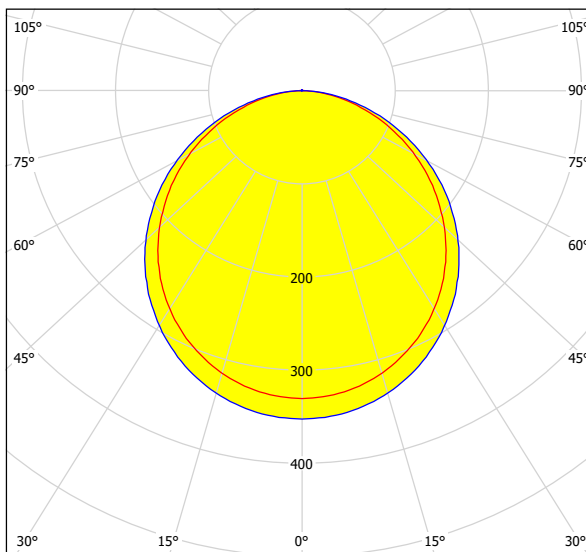


cd/klm  
— C0 - C180 — C90 - C270

$\eta = 100\%$

## LDVAL PL0312 36/30W TRI

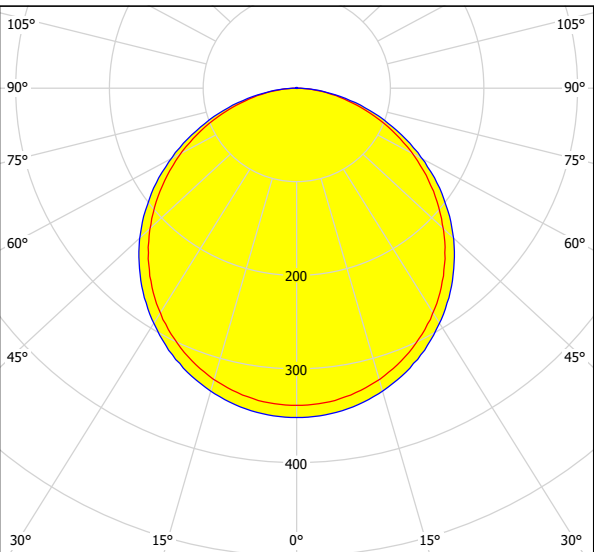
36W 6500K/4000K



cd/klm  
— C0 - C180 — C90 - C270

$\eta = 100\%$

30W 6500K/4000K



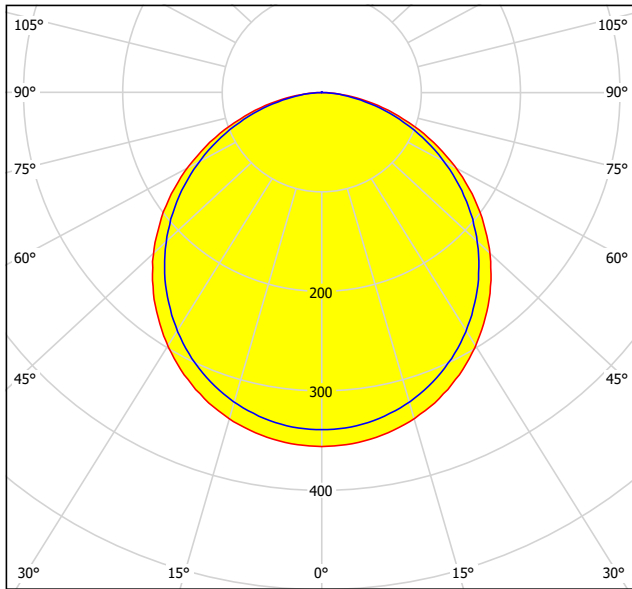
cd/klm  
— C0 - C180 — C90 - C270

$\eta = 100\%$

# Polar Intensity Diagram

## LDVAL PL0612 60/50W TRI

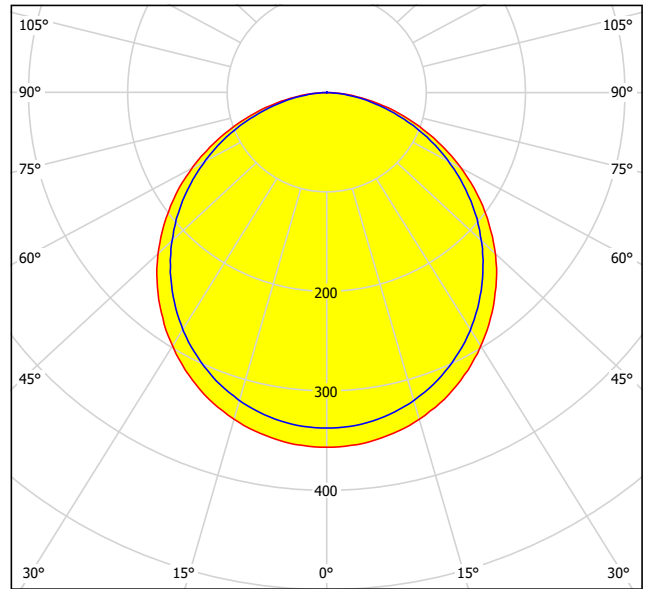
60W 6500K/4000K



cd/klm  
— C0 - C180 — C90 - C270

$\eta = 100\%$

50W 6500K/4000K

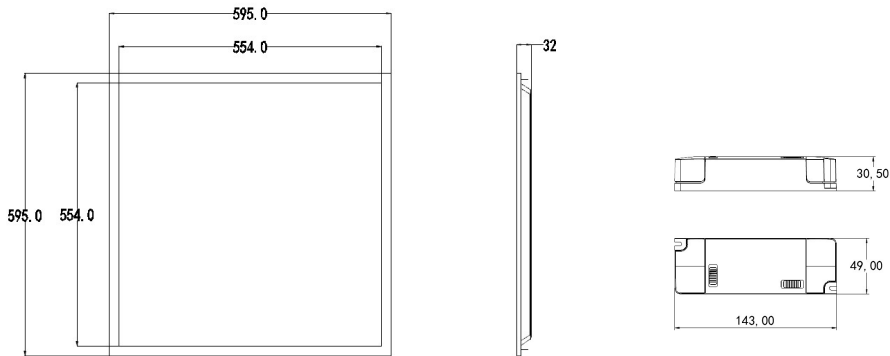


cd/klm  
— C0 - C180 — C90 - C270

$\eta = 100\%$

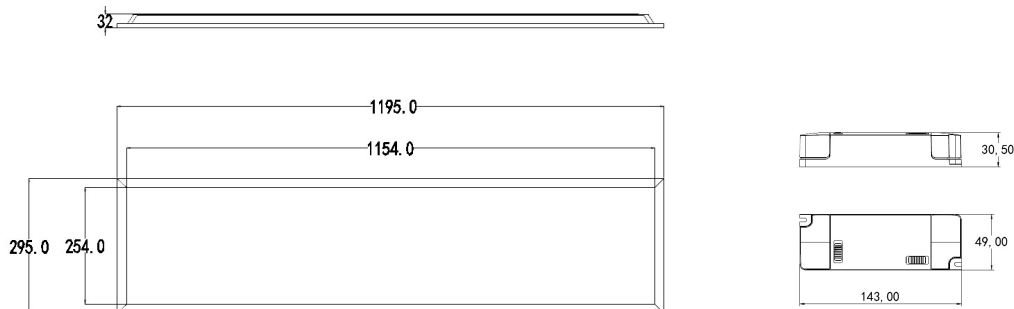
# Drawing/Dimensions

## LDVAL PL0606 36/30W TRI



Panel	Length	Width	Height	Weight
0606	595mm	595mm	32mm	1880g

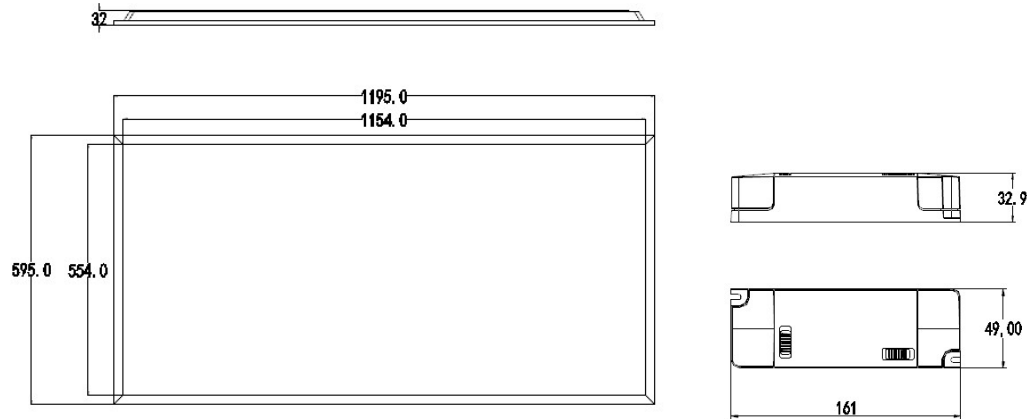
## LDVAL PL0312 36/30W TRI



Panel	Length	Width	Height	Weight
0312	1195mm	295mm	32mm	1720g

# Drawing/Dimensions

## LDVAL PL0612 60/50W TRI



Panel	Length	Width	Height	Weight
0612	1195mm	595mm	32mm	3560g

# Ordering Information

LED VALUE PANEL TRI COLOR BACKLIT					
IC	Description	Model Number	Shipping Unit	EAN10	EAN40
AC37563001T	LDVAL PL0312 36/30W TRI 4X1 LEDV	V-PL-0312-36/30W-TRI	4	4058075695238	4058075695245
AC37564001T	LDVAL PL0606 36/30W TRI 4X1 LEDV	V-PL-0606-36/30W-TRI	4	4058075695252	4058075695269
AC37565001T	LDVAL PL0612 60/50W TRI 4X1 LEDV	V-PL-0612-60/50W-TRI	4	4058075695276	4058075695283

# Optional accessories

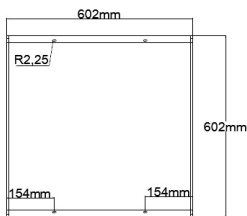
## Plaster ceiling mounting clips

Description	Shipping Unit	EAN10	EAN40	Basic code
LDVAL PAN SURFACEMKIT 0606 G2 4X1 LEDV	4pcs			AC39650
LDVAL PAN SURFACEMKIT 0312 G2 4X1 LEDV	4pcs			AC39651
LDVAL PAN SURFACEMKIT 0612 G2 4X1 LEDV	4pcs			AC39652
LDVAL PAN RECESSKIT 0606 G2 4X1 LEDV	4pcs			AC39654
LDVAL PAN RECESSKIT 0312 G2 4X1 LEDV	4pcs			AC39655
LDVAL PAN RECESSKIT0612 G2 4X1 LEDV	4pcs			AC39656

Frame material : RAL 9003 , Aluminum

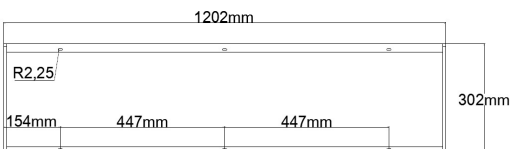
### LDVAL PAN SURFACEMKIT 0606

4PCS SIDE FRAME , 4PCS PLASTIC CONNECTOR, 4PCS SCREW, 4PCS PLASTIC EXPANSION

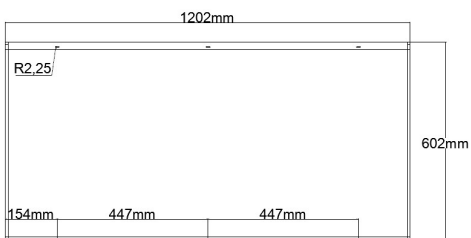


### LDVAL PAN SURFACEMKIT 0312

4PCS SIDE FRAME , 4PCS PLASTIC CONNECTOR, 6PCS SCREW, 6PCS PLASTIC EXPANSION



### LDVAL PAN SURFACEMKIT 0612





# Optional accessories

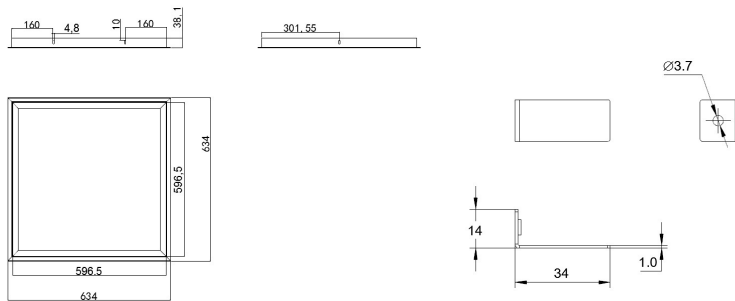
## Plaster ceiling mounting clips

Description	Shipping Unit	EAN10	EAN40	Basic code
LDVAL PAN SURFACEMKIT 0606 G2 4X1 LEDV	4pcs			AC39650
LDVAL PAN SURFACEMKIT 0312 G2 4X1 LEDV	4pcs			AC39651
LDVAL PAN SURFACEMKIT 0612 G2 4X1 LEDV	4pcs			AC39652
LDVAL PAN RECESSKIT 0606 G2 4X1 LEDV	4pcs			AC39654
LDVAL PAN RECESSKIT 0312 G2 4X1 LEDV	4pcs			AC39655
LDVAL PAN RECESSKIT0612 G2 4X1 LEDV	4pcs			AC39656

Frame material : RAL 9003 , Aluminum

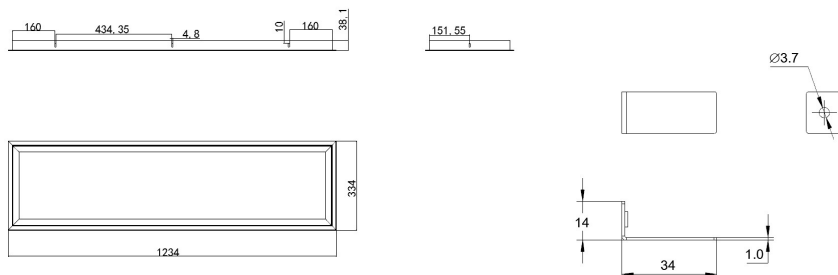
### LDVAL PAN RECESSKIT 0606

1 FRAME (ASSEMBLED) , 4PCS L-SHAPE SUPPORT, 4PCS SCREW



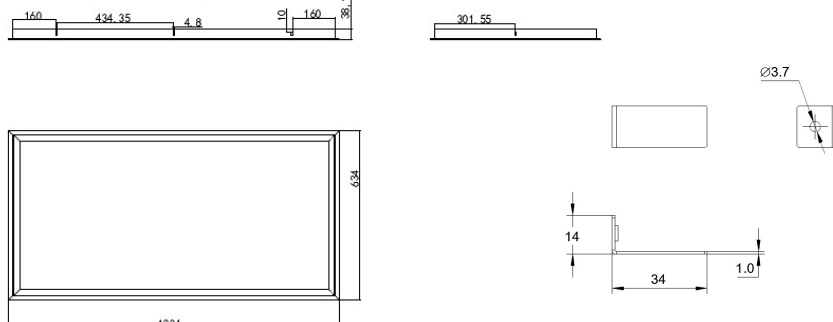
### LDVAL PAN RECESSKIT 0312

1 FRAME (ASSEMBLED), 6PCS L-SHAPE SUPPORT, 6PCS SCREW



### LDVAL PAN RECESSKIT 0612

1 FRAME (ASSEMBLED), 6PCS L-SHAPE SUPPORT, 6PCS SCREW



# Optional accessories

## Optional suspension kit

Description	Shipping Unit	EAN10	EAN40
LDVAL PAN SUSKIT G2 10X1 LEDV	10pcs		

### LDVAL PAN SUSKIT

2PCS 1.5M WIRE ROPE, 4PCS ALUMINUM HANGING BUCKLE, 6PCS SCREW, 6PCS PLASTIC EXPANSION, 2PCS REGULATOR

