



LED Slim Panel EcoMax III

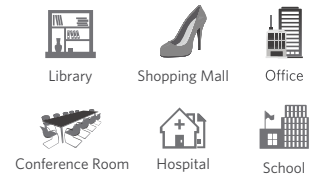
Features

- Steel unibody housing
- High lumen efficacy, 90 lm/W
- High power factor of 0.98
- Flicker free

Benefits

- Durable enclosure, minimal aesthetic footprint once installed
- Up to 50% energy savings compared to conventional panels
- Government subsidies, reduced utility fees
- Stress free ambient light

Application



Specification

Item Code	Item Description	Power (W)	Power Factor	Lumen (lm)	Efficacy (lm/W)	Input Current (mA)	CRI	UGR	CCT (K)	Lifetime (L70B50)
140048272	LEDPanelRc-EIII Sq598-37W-4000-WH-GP	37	0.98	3300	90	170	≥80	22	4000	30Khrs
140048273	LEDPanelRc-EIII Sq598-37W-5700-WH-GP	37	0.98	3300	90	170	≥80	22	5700	30Khrs

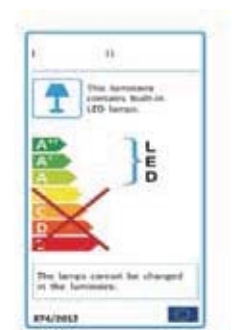
Accessory information

Accessories	Picture
140045800 Clip- Panel EcoMax III	

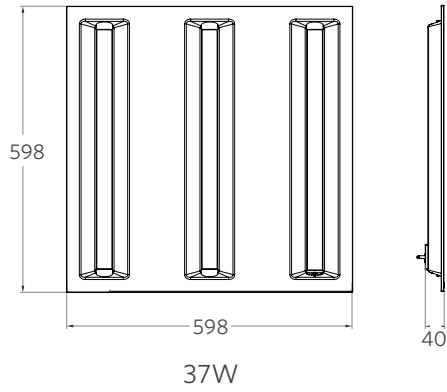
Technical Specifications	
On / Off Cycles	50,000
Colour Consistency (SDCM)	6
Dimmable	No
Beam Angle (°)	120
Finishing Colour	White
IP	20
Driver Integrated (Yes/No)	Yes
Glow Wire Test	650°C
Driver Failure Rate	1% at 5000h
Weight (kg/pc)	2.27

Electrical Supply	
Frequency (Hz)	50/60
Voltage (V)	220-240
AC/DC	AC
Mechanical Properties	
Housing Material	Cold-rolled Steel
Optical Material	PMMA
Application Conditions	
Operating Temperature	-10-40°C
Application Temperature	25°C
Storage Environment	-25-50°C

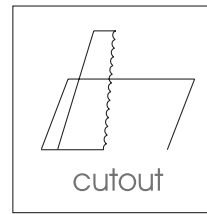
CE CB



Dimensional Drawing



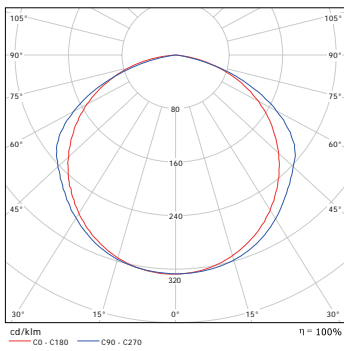
Cut-out Drawing



560X560

37W

Photometric Data



120° (37W)