

Specification

KLE1017-ATEX

LED Explosion Proof Light



CE RoHS IP66 IK10



LCIE 20 ATEX 3009X

II2 G Ex db IIB T6...T5 Gb

II2 D Ex tb IIIC T80°C...T95°C Db

IECE x LCIE 20.0019X

Ex db IIB T6...T5 Gb

Ex tb IIIC T80°C...T95°C Db

Standards

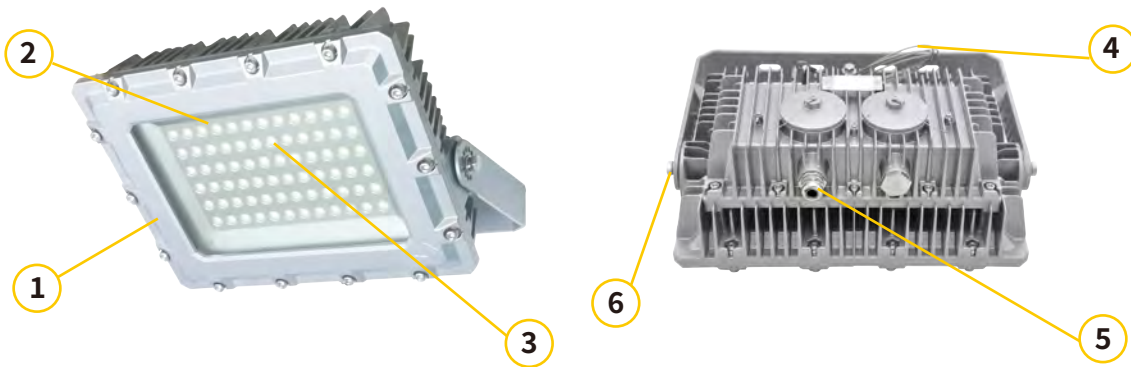
- EN IEC 60079-0:2018
- EN 60079-1:2014
- EN 60079-31:2014

Directives

- ATEX-2014/34/EU
- EMC-2014/30/EU
- LVD-2014/35/EU
- ROHS-2011/65/EU
- ROHS-2015/863/EU



Key Features:



- 1 Heavy duty aluminum alloy housing
- 2 Impact resistant clear lens with tempered glass
- 3 Professional light distribution, uniform illumination through the entire space
- 4 Stainless steel safety rope
- 5 Standby cable entrance
- 6 Accurate angle adjustment for mounting

Additional Features:

- ◆ Standard 4-6KV surge protection
- ◆ 120° Beam angle is standard, 30°, 60° and 90° are optional
- ◆ 5-year warranty

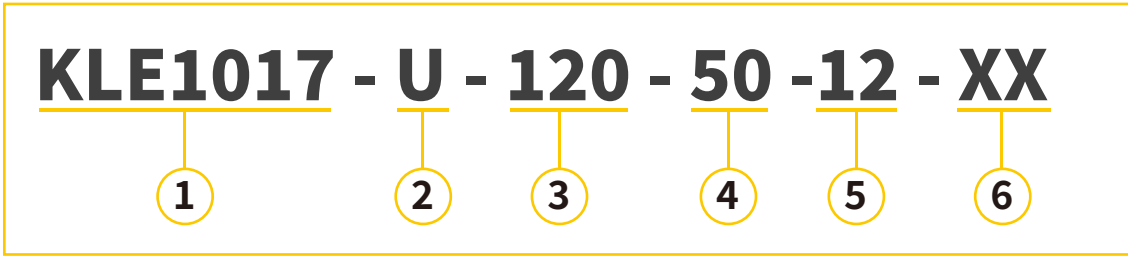
Standard Materials:

- ◆ Housing: High Quality Aluminium Alloy
- ◆ Safety rope: stainless steel
- ◆ Lens: tempered clear glass

Features & Benefits:

- 1 Environmentally Friendly 50,000 hrs lifetime
- 2 Superior color rendering index compared to HPS, LPS or MV
- 3 Low temperature applications to -40°C and high temperature up to 50°C
- 4 Best-in-class efficacy-Up to 135 lumens per watt
- 5 Professional light distribution design, uniform and comfortable lighting
- 6 Temperature compensation technology for longer life
- 7 Low maintenance costs and power consumption reduced by over 50%

Catalog Number Logic



1 BASIC SERIES

- ◆ KLE1017

2 VOLTAGE/FREQUENCY

- ◆ U=100-277V 50/60Hz

3 LAMP WATTAGE

- ◆ 100=100 Watt ◆ 180=180 Watt
- ◆ 120=120 Watt ◆ 200=200 Watt
- ◆ 150=150 Watt ◆ 240=240 Watt

4 CCT

- ◆ 60=6000K CCT ◆ 50=5000K CCT (Standard)
- ◆ 40=4000K CCT ◆ 30=3000K CCT

5 LIGHT DISTRIBUTION ANGLE

- ◆ 60°
- ◆ 90°
- ◆ 120°

6 OPTIONS

- ◆ HM = Holder Mount
- ◆ WM = Wall Mount
- ◆ CM = Ceiling Mount

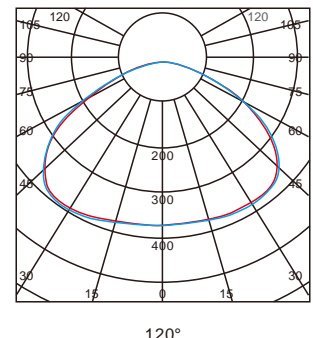
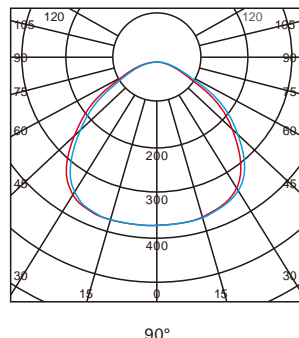
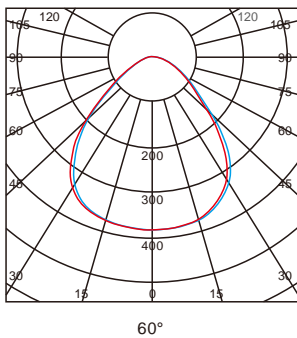
Catalog logic is for explaining catalog number structure only.
Not all combinations are possible; consult factory for catalog numbers not listed in charts.

Certification Guide:

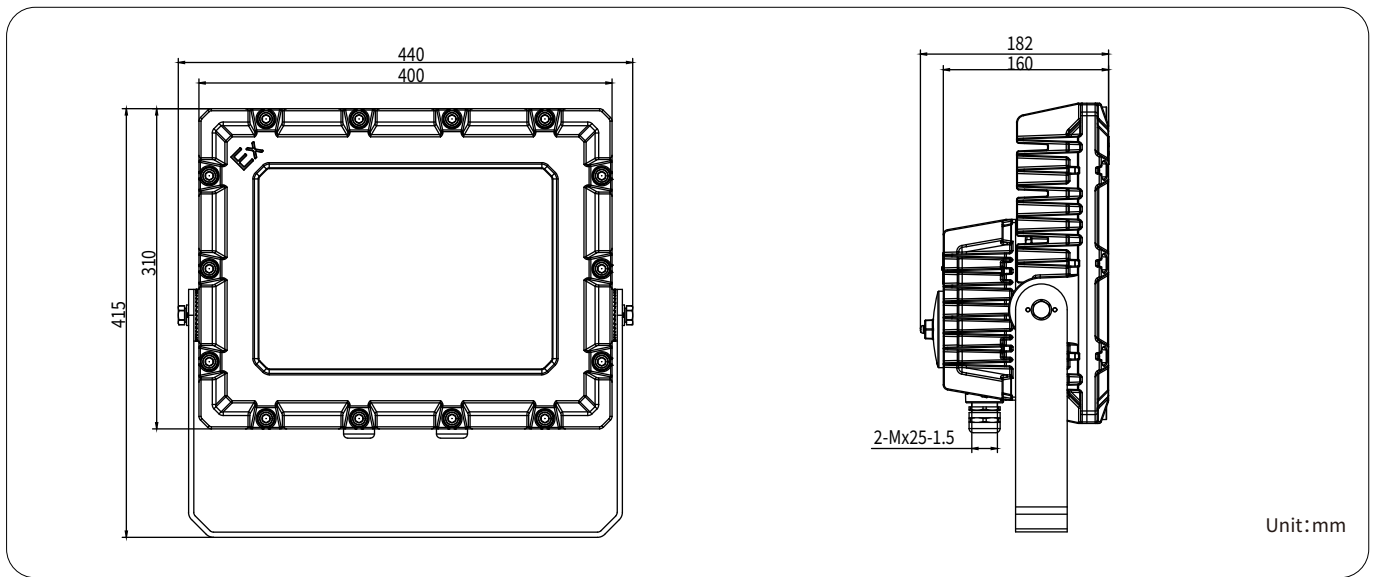
Model	Dimensions (mm)	Wattage (W)	Operating Voltage	Total Lumens	Lumen per Watt	Angle	CRI	CCT *	Ambient Temperature	Ex-mark for Gas	Ex-mark for Dust	Supply Wire Suitable Temperature
KLE1017U10050	440x415x182	100	100-277V 50/60Hz	13500	135	60°	>70	5000	-40°C ≤ Tamb ≤ +50°C	Ex II 2 G Ex db IIB T6 Gb	Ex II 2 D Ex tb IIIC T80°C Db	80°C
KLE1017U12050	440x415x182	120	100-277V 50/60Hz	16080	134	90°	>70	5000	-40°C ≤ Tamb ≤ +50°C	Ex II 2 G Ex db IIB T6 Gb	Ex II 2 D Ex tb IIIC T80°C Db	80°C
KLE1017U15050	440x415x182	150	100-277V 50/60Hz	19800	132	60°	>70	5000	-40°C ≤ Tamb ≤ +50°C	Ex II 2 G Ex db IIB T6 Gb	Ex II 2 D Ex tb IIIC T80°C Db	80°C
KLE1017U18050	440x415x182	180	100-277V 50/60Hz	22500	125	90°	>70	5000	-40°C ≤ Tamb ≤ +50°C	Ex II 2 G Ex db IIB T5 Gb	Ex II 2 D Ex tb IIIC T95°C Db	80°C
KLE1017U20050	440x415x182	200	100-277V 50/60Hz	23000	115	120°	>70	5000	-40°C ≤ Tamb ≤ +50°C	Ex II 2 G Ex db IIB T5 Gb	Ex II 2 D Ex tb IIIC T95°C Db	80°C
KLE1017U24050	440x415x182	240	100-277V 50/60Hz	28800	120	60°	>70	5000	-40°C ≤ Tamb ≤ +50°C	Ex II 2 G Ex db IIB T5 Gb	Ex II 2 D Ex tb IIIC T95°C Db	80°C

* All values typical unless otherwise stated (tolerance +/- 10%)

Photometric Data:

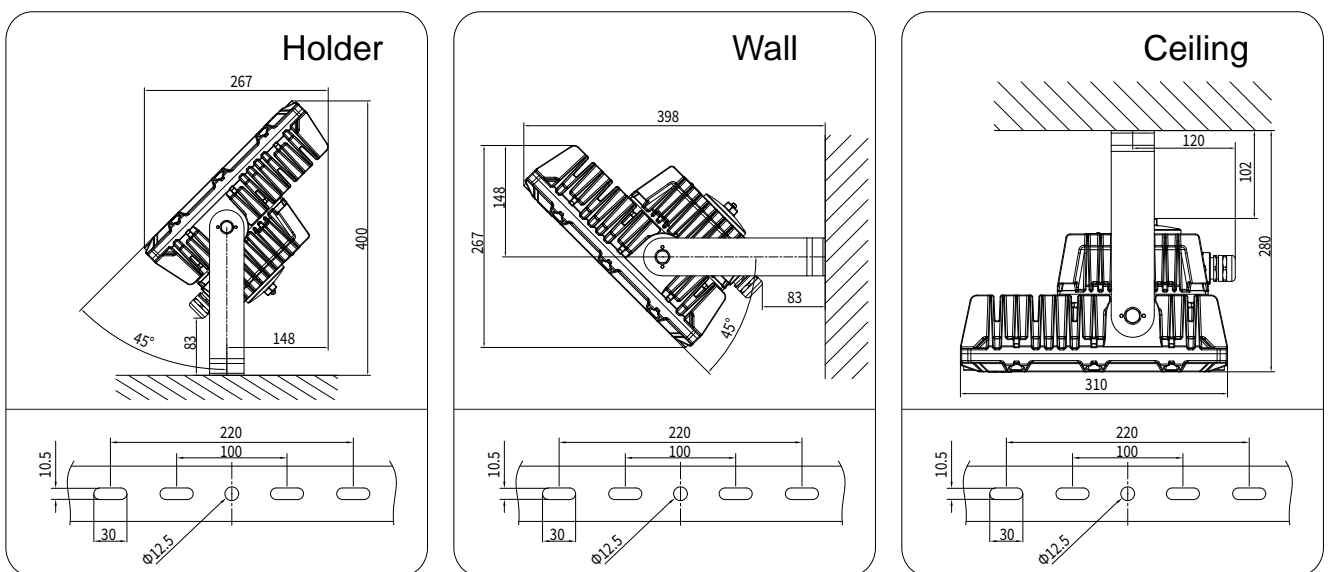


Fixture Dimensions:



Model	Power(W)	Package size(mm)	QTY Per Carton(PCS)	Net Weight(Kg)	Boxed Weight(Kg)	Shipping Volume(m ³)
KLE1017U100	100	495x420x265	1	18	20.5	0.0551
KLE1017U120	120	495x420x265	1	18	20.5	0.0551
KLE1017U150	150	495x420x265	1	18	20.5	0.0551
KLE1017U180	180	495x420x265	1	18	20.5	0.0551
KLE1017U200	200	495x420x265	1	18	20.5	0.0551
KLE1017U240	240	495x420x265	1	18	20.5	0.0551

Mounting:



Unit:mm