

L101X AlertAlight

High Powered Xenon Tube Beacon
5J Xenon Flash Tube

Three modes : Flashing 1 Hz*,
Flashing 1.5Hz† (DC units Only),
Double Strike† (DC Units Only)

IP Rating: IP66
Temp: -25°C to +55°C
Unit weight: 200g
CE

Dimensions : 86.0 x 86.0mm
1.5mm² terminals
Cable entry: M20 cable entry (IP66)
Dependant on Back Box selected

[Z] = Back Box Type
B = L101 type
A = A100 type

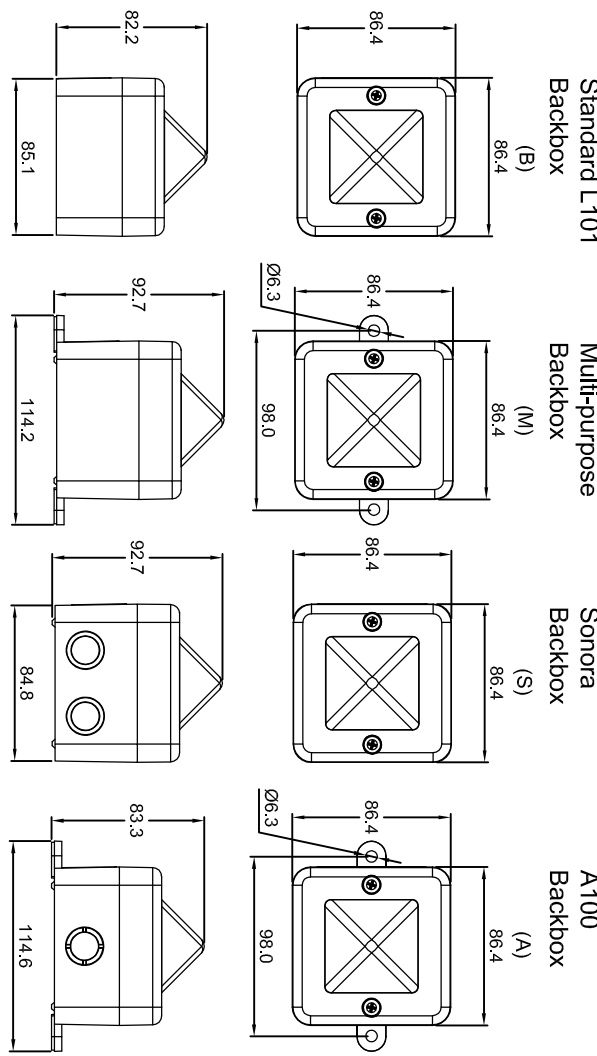
[Y] = Lens colour
R = Red*
B = Blue
A = Amber
C = Clear*
G = Green

[X] = Housing colour
G = Grey
R = Red
W = White

Order code	Voltage	Current
L101XDC012Z[X Y]	10-14 VDC/AC	500mA/380mA
L101XDC024Z[X Y]*	20-28 VDC/AC	250mA/300mA
L101XDC048Z[X Y]†	42-52 VDC	175mA
L101XAC048Z[X Y]	48 VAC±10%	250mA
L101XAC115Z[X Y]	115 VAC±10%	70mA
L101XAC230Z[X Y]	230 VAC±10%	35mA

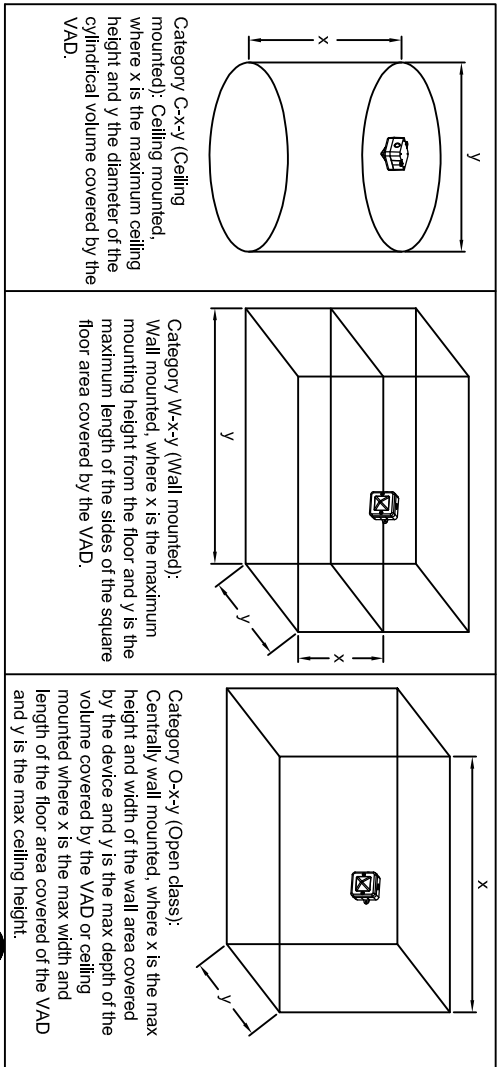
†Flashing 1.5Hz and Double Strike modes are not available on the following units: L101XDC012B[X|Y] when used with an AC supply; L101XAC048B[X|Y]; L101XAC115B[X|Y] & L101XAC230B[X|Y].
*Benares models with VAS/CPR Approval for EN54-23, 24/48 VDC application only.

3 Back Box Type



4 Coverage Area According to EN54-23

UNIT	Category C	Category M	Category O	Beacon
L101XDC024Z[X Y]/C	C-8x6.8	Wx2.4x4.8	O-1.5x1.0	6W
V=328.9m ²	V=55.3m ²	V=230.4m ²		
L101XDC024Z[X Y]/R	C-3x2.6	N/A	O-1.3x3.6	6W
V=15.9m ²	N/A	V=13.0m ²		
L101XDC048Z[X Y]/C	C-8x7	Wx2.5x5	O-5x10	8.4W
V=246.4m ²	V=42.5m ²	V=250.0m ²		
C-3x3	N/A	O-2x4		
L101XDC048Z[X Y]/R	V=21.2m ²	N/A	V=16.0m ²	8.4W

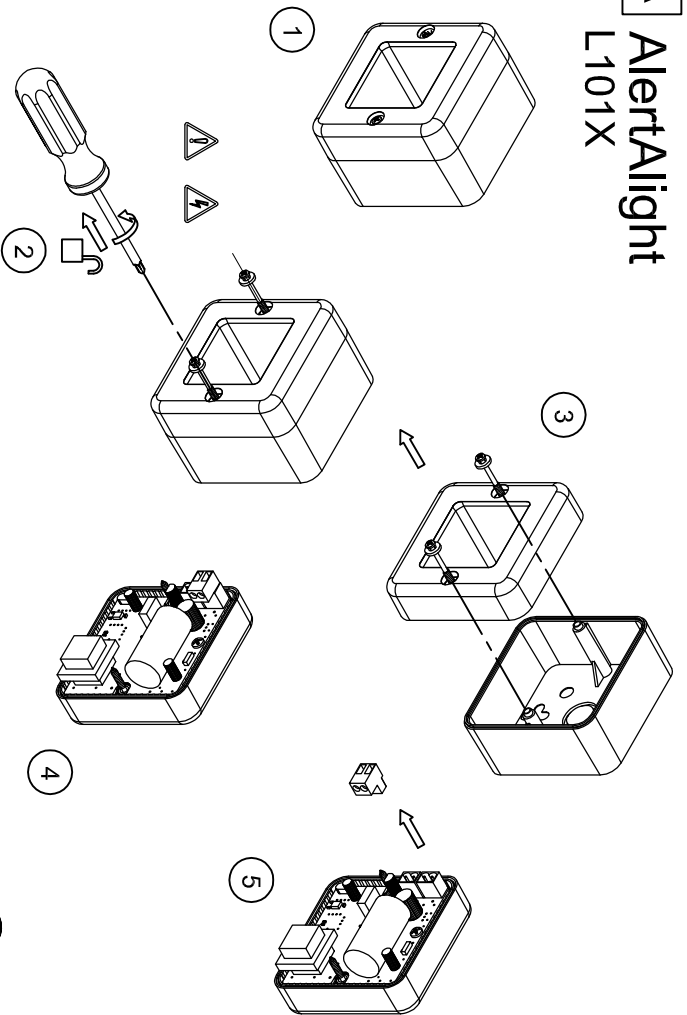


- ⚠ ATTENTION:** Installation must be carried out by an electrician in compliance with the latest codes and regulations.
- ⚠ ATTENTION:** Disconnect from power source before installation or service to prevent electric shock.
- ⚠ ATTENTION:** On strobe beacons allow a minimum of 2 minutes for hazardous high voltage to discharge from unit.
- ⚠ ATTENTION:** Lens on unit will be hot allow to cool prior to removal.

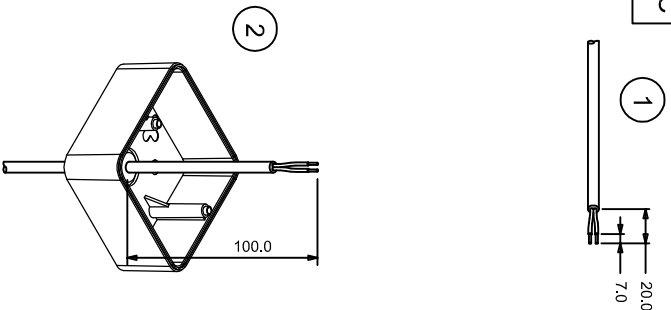


D165-00-001HS_SMT_LSS/DL2

A AlertAlight L101X

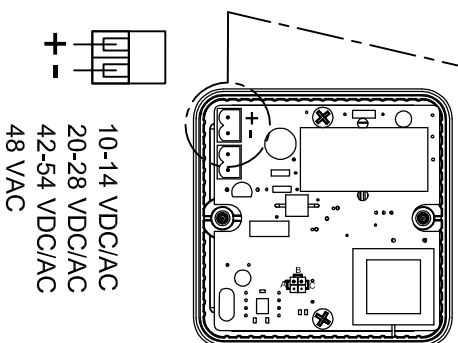
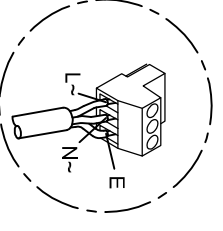
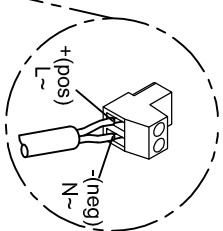


C

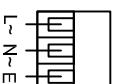


1

2



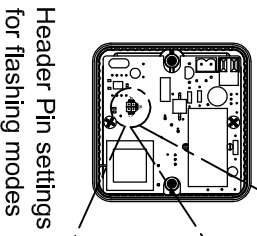
10-14 VDC/AC
20-28 VDC/AC
42-54 VDC/AC
48 VAC



115 VAC
230 VAC



B



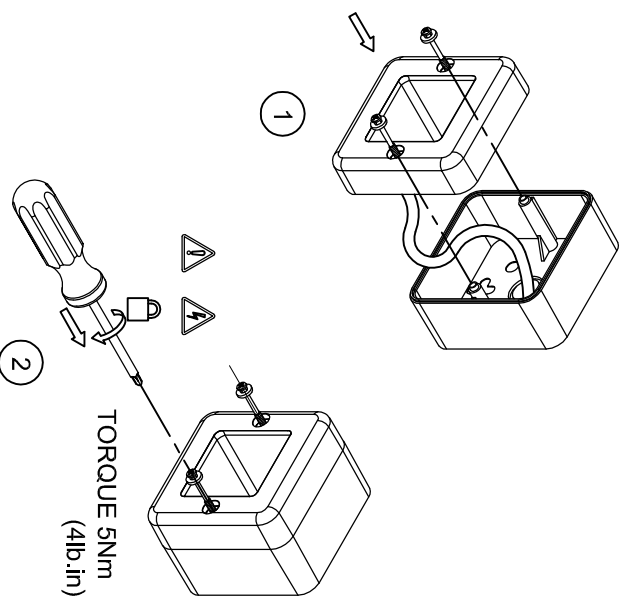
Header Pin settings
for flashing modes

			1Hz Flash (60FPM)	
			1.5Hz Flash (90FPM) [†]	
			Double Strike Flash Pattern [†]	

[†] Flashing 1.5Hz and Double Strike modes are not available on the following units: L101XDC012|b|k|l|v| when used with an AC supply; L101XAC048|b|k|l|v|; L101XAC115|b|k|l|v| & L101XAC230|b|k|l|v|.



D



TORQUE 5Nm
(4lb.in)

3

