

Helio

Industrial Lighting / LED Street Light



DAVIS LIGHTING

The Helio series is a top-line luminaire suitable for street and industrial lighting applications. The slim modern design appeals to current aesthetics while its smooth curvature top prevent the build up of debris and leaves. A wide range of optics and advanced thermal management capabilities means that Helio is able to serve in a range of applications. Helio is also designed for easy installation and maintenance with a tool-free design and a drop protector ensures safety during strong winds and installation.

Features

- Elegant & super-slim aesthetics
- Super luminaire efficiency up to 150 lm/w
- 7 kinds of optics and advanced thermal management
- UP to ME1 lighting class application
- Dark sky friendly, up to G6 glare rating
- Marine grade aluminium option available
- Flexible and intelligent drivers for smart city
- Low wind area and drop protector
- Tool free installation and maintenance
- Sleek design & robust
- SPD up to 20kA/kV
- IP66 and IK09

Applications

- Residential areas
- Road and street lighting
- Highway, Airport, Parking place
- Pathway, Pedestrians
- Smart city option

Standards

- Manufactured under ISO 9001:2015 to standards
- IEC 60598-1
- IEC 60598-2-3
- IEC 62722
- IEC CISPR 15





Product Code Key

Model	Power	Colour Temp.	-	Dimming	Receptacle	Distribution Pattern
SLH1	20W = 20W	3KD = 3000K		D06 = 1-10V +	N05 = NEMA 7 pin	Z01 = Type I -M
	30W = 30W	4KD = 4000K		PWM +	N06 = NEMA 7 pin + Shorting cap	Z02 = Type II -M A
	40W = 40W	5KD = 5000K		Resistor	N11 = Zhaga based	Z03 = Type II -M B
	60W = 60W	6KD = 5700K				Z04 = Type III -M
SLH3	80W = 80W					Z05 = Type IV -S
	100W = 100W					Z06 = Type III -M (JKR)
	120W = 120W					Z07 = Type II -M C
SLH5	150W = 150W					Z08 = Type II -M D
	180W = 180W					Z09 = Type II -M E
	200W = 200W					Z10 = Type III -L
SLH7	220W = 220W					Z11 = Type V -S
	240W = 240W					
	250W = 250W					
	280W = 280W					
	300W = 300W				omit code for standard no NEMA socket	
	320W = 320W					

e.g. SLH5180W4KD-D06N05Z01 = SLH5 series 180W 4000K with 1-10V, PWM, Resistor dimming, NEMA 7 pin & Type I -M distribution

Model Specific Specifications

SLH1 range

Model	SLH120WxKD	SLH130WxKD	SLH140WxKD	SLH160WxKD
Nominal Power (W)	20	30	40	60
Input Voltage	220 - 240 VAC 50 / 60 Hz			
Luminaire Flux (lm)*	3006	4598	5794	9114
Efficacy (lm/W)*	150	153	145	152
Windage (m ²)	0.023			
Mounting Height (m)	3 - 6 (recommended)			
Weight (kg)	5.7			

SLH3 range

Model	SLH380WxKD	SLH3100WxKD	SLH3120WxKD
Nominal Power (W)	80	100	120
Input Voltage	220 - 240 VAC 50 / 60 Hz		
Luminaire Flux (lm)*	12,234	14,933	16,114
Efficacy (lm/W)*	153	149	134
Windage (m ²)	0.048		
Mounting Height (m)	4 - 8 (recommended)		
Weight (kg)	7.9		



Model Specific Specifications

SLH5 range

Model	SLH5150WxKD	SLH5180WxKD	SLH5200WxKD
Nominal Power (W)	150	180	200
Input Voltage	220 - 240 VAC 50 / 60 Hz		
Luminaire Flux (lm)*	21,629	24,414	27,039
Efficacy (lm/W)*	144	136	135
Windage (m ²)	0.058		
Mounting Height (m)	6 - 12 (recommended)		
Weight (kg)	13.0		

SLH7 range

Model	SLH7220WxKD	SLH7240WxKD	SLH7250WxKD	SLH7280WxKD	SLH7300WxKD	SLH7320WxKD
Nominal Power (W)	220	240	250	280	300	320
Input Voltage	220 - 240 VAC 50 / 60 Hz					
Luminaire Flux (lm)*	33,511	36,105	38,069	44,083	47,266	48,304
Efficacy (lm/W)*	152	150	152	157	158	151
Windage (m ²)	0.088					
Mounting Height (m)	12 - 15 (recommended)					
Weight (kg)	19.0					

*x denotes CCT, 3 = 3000 K ; 4 = 4000 K ; 5 = 5000 K ; 6 = 5700 K
 * Specifications shown for 4000K, Type I -M

Accessories



Shorting Cap

Standard: ANSI C136.10-1996
 Part Number: NEMA-SC



Wall mounting bracket

Spigot size 40 - 60 mm
 Horizontal
 Part Number: HWBH60



Photocell

Standard: ANSIC136.10-2010
 Part Number: NEMA-PC



Wall mounting bracket

Spigot size 40 - 60 mm
 Vertical
 Part Number: HWBV60



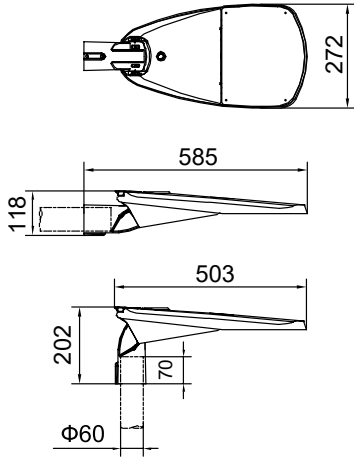
Console Adapter

Spigot size 60 - 76 mm
 Part Number: HCA6076

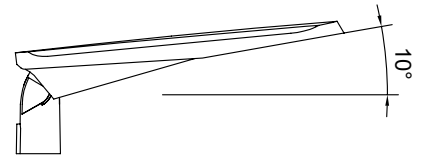
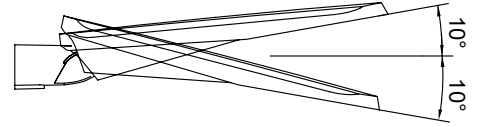
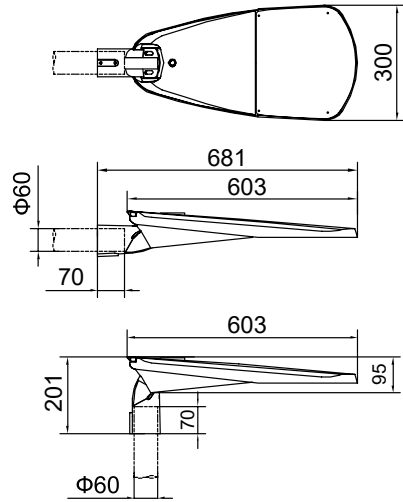


Dimensions

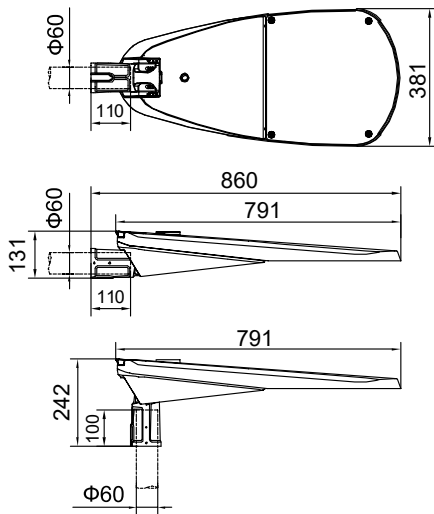
SLH1



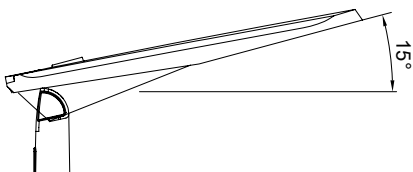
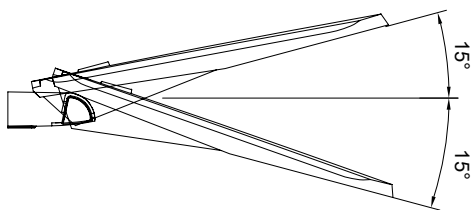
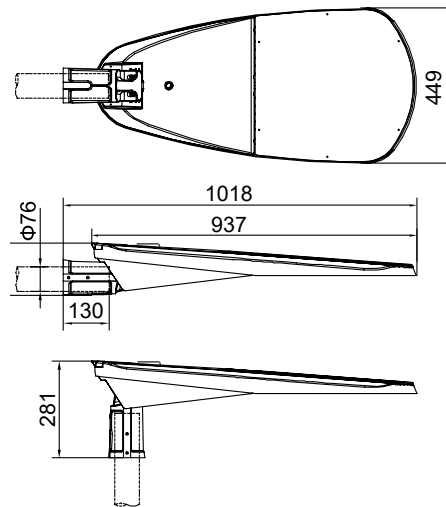
SLH3



SLH5



SLH7



Smooth surface / Self-cleaning

*60mm standard spigot.
Other diameters can be ordered upon request



Mounting Height

Model	Recommended Mounting Height
SLH1	3-6 m
SLH3	4-8 m
SLH5	6-12 m
SLH7	12-15 m



davislighting.com



davislighting.com.au

All photometric and electrical data published are of $\pm 10\%$ tolerance. Characteristics and specifications may change without notice. All electrical installations / connections should be carried out by a suitably qualified person. Application images are indicative only and may not contain actual Davis product. The information contained in this publication is typical and must not be interpreted as a guarantee of individual product performance.

SLH 220908