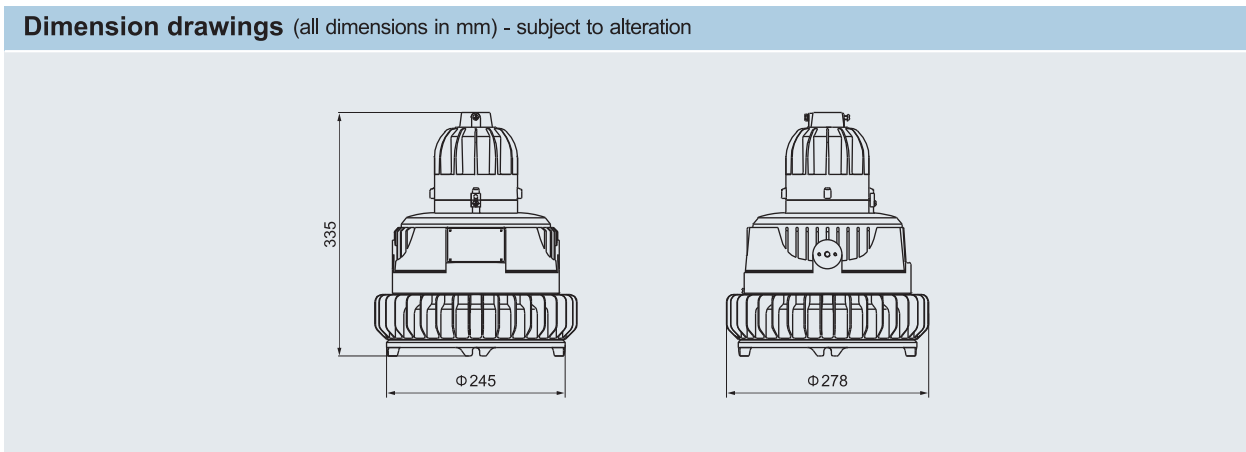


LED Light Fittings HRD95 Series Explosion-proof LED Lightings

Technical data	
Explosion-proof LED lightings HRD95-90-□□	
Explosion protection Gas explosion protection Dust explosion protection Certificates Conformity to standards Material Enclosure Glass cover Exposed fastener LED driver Lamp Lamp specification Lamp power (W) Colour Temperature (CCT) Rated voltage Earthing protection Degree of protection Ambient temperature Terminal Mounting Cable entries Cable gland	Ex II 2 G Ex db op is IIC T□ ¹⁾ Gb Ex II 2 D Ex tb op is IIIC T□ ¹⁾ Db Ip66 ¹⁾ See Selection Table ATEX and IECEx (applied for) EN 60079-0, EN 60079-1, EN 60079-28, EN 60079-31 IEC 60079-0, IEC 60079-1, IEC 60079-28, IEC 60079-31 Copper-free aluminium, powder coated surface, yellow (RAL1021) Toughened glass, stands 4J impact Stainless steel Wide voltage input, CC-CV (constant current - constant voltage) output, power factor ≥ 0.95 , with function of distributed current, constant current, surge-proof and anti-electromagnetic interference, and protection against overcurrent, open circuit, and short circuit LED module, Multiple LED 60W, 90W Cool white: 5400~6500K Note: cool white is available in general. Warm white (2700~3500K) or nature white (4700~5400K) is optional, please specify when ordering. 100~277V AC 50/60Hz, 130~250V DC M5 (internal & external earth bolts) IP66, IP67(optional) -40°C~+55°C 3 x 1.5~4mm ² (L+N+PE) bracket type, hook type, pole type, pendant pole type, wall type, ceiling type 1 x M25 x 1.5 (hook type, pole type, pendant pole type) 2 x M25 x 1.5 (bracket type) 4 x M25 x 1.5 (wall type, ceiling type) DQM-II (Ex d) or DQM-III (Ex d) is recommended. Please see P7/20~29



Selection table				
Rated power(W)	Temperature classification			
	-40°C ≤ Ta ≤ +40°C		-40°C ≤ Ta ≤ +55°C	
	Gas	Dust	Gas	Dust
60	76°C (T6)	71°C	91°C (T5)	86°C
90	87°C (T5)	82°C	102°C (T4)	97°C



LED Light Fittings HRD95 Series Explosion-proof LED Lightings

Technical data

Explosion-proof LED lightings HRD95-160-□□

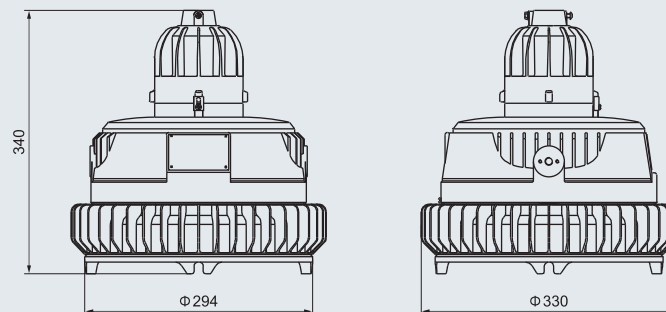
Explosion protection	<p>Gas explosion protection $\text{Ex II 2 G Ex db op is IIC T}\square^{\text{1}} \text{ Gb}$</p> <p>Dust explosion protection $\text{Ex II 2 D Ex tb op is IIIC T}\square^{\text{1}} \text{ Db Ip66}$</p> <p>¹⁾ See Selection Table</p>
Certificates	ATEX and IECEx (applied for)
Conformity to standards	EN 60079-0, EN 60079-1, EN 60079-28, EN 60079-31 IEC 60079-0, IEC 60079-1, IEC 60079-28, IEC 60079-31
Material	
Enclosure	Copper-free aluminium, powder coated surface, yellow (RAL1021)
Glass cover	Toughened glass, stands 4J impact
Exposed fastener	Stainless steel
LED driver	Wide voltage input, CC-CV (constant current - constant voltage) output, power factor ≥ 0.95 , with function of distributed current, constant current, surge-proof and anti-electromagnetic interference, and protection against overcurrent, open circuit, and short circuit
Lamp	
Lamp specification	LED module, Multiple LED
Lamp power (W)	120W, 160W
Colour Temperature (CCT)	Cool white: 5400~6500K Note: cool white is available in general. Warm white (2700~3500K) or nature white (4700~5400K) is optional, please specify when ordering.
Rated voltage	100~277V AC 50/60Hz, 130~250V DC
Earthing protection	M5 (internal & external earth bolts)
Degree of protection	IP66, IP67 (optional)
Ambient temperature	-40°C~+55°C
Terminal	3 x 1.5~4mm ² (L+N+PE)
Mounting	bracket type, hook type, pole type, pendant pole type, wall type, ceiling type
Cable entries	1 x M25 x 1.5 (hook type, pole type, pendant pole type) 2 x M25 x 1.5 (bracket type) 4 x M25 x 1.5 (wall type, ceiling type)
Cable gland	DQM-II (Ex d) or DQM-III (Ex d) is recommended. Please see P7/20~29



Selection table

Rated power(W)	Temperature classification			
	-40°C ≤ Ta ≤ +40°C		-40°C ≤ Ta ≤ +55°C	
	Gas	Dust	Gas	Dust
120	80°C (T6)	75°C	95°C (T5)	90°C
160	98°C (T4)	93°C	113°C (T4)	108°C

Dimension drawings (all dimensions in mm) - subject to alteration



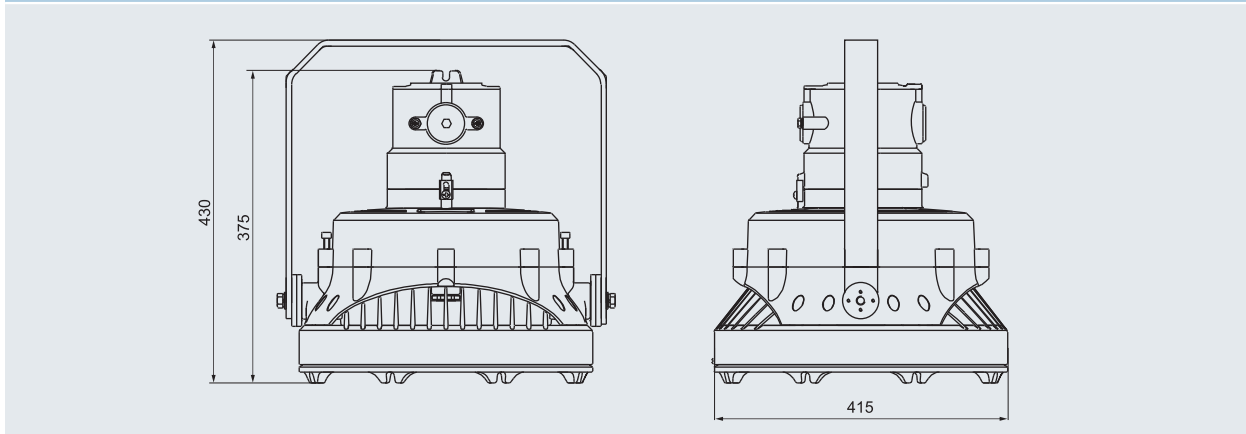
LED Light Fittings HRD95 Series Explosion-proof LED Lightings

Technical data	
Explosion-proof LED lightings HRD95-240-□□	
Explosion protection	<p>Gas explosion protection $\text{Ex II 2 G Ex db op is IIC T}\square^1\text{ Gb}$</p> <p>Dust explosion protection $\text{Ex II 2 D Ex tb op is IIIC T}\square^1\text{ Db Ip66}$</p> <p>¹⁾ See Selection Table</p>
Certificates	ATEX and IECEx (applied for)
Conformity to standards	EN 60079-0, EN 60079-1, EN 60079-28, EN 60079-31 IEC 60079-0, IEC 60079-1, IEC 60079-28, IEC 60079-31
Material	
Enclosure	Copper-free aluminium, powder coated surface, yellow (RAL1021)
Glass cover	Toughened glass, stands 4J impact
Exposed fastener	Stainless steel
LED driver	Wide voltage input, CC-CV (constant current - constant voltage) output, power factor ≥ 0.95 , with function of distributed current, constant current, surge-proof and anti-electromagnetic interference, and protection against overcurrent, open circuit, and short circuit
Lamp	
Lamp specification	LED module, Multiple LED
Lamp power (W)	200W, 240W
Colour Temperature (CCT)	Cool white: 5400~6500K Note: cool white is available in general. Warm white (2700~3500K) or nature white (4700~5400K) is optional, please specify when ordering.
Rated voltage	100~277V AC 50/60Hz, 130~250V DC
Earthing protection	M5 (internal & external earth bolts)
Degree of protection	IP66, IP67(optional)
Ambient temperature	-40°C~+55°C
Terminal	3 x 1.5~4mm ² (L+N+PE)
Mounting	bracket type, wall type, ceiling type
Cable entries	2 x M25 x 1.5 (bracket type) 4 x M25 x 1.5 (wall type, ceiling type)
Cable gland	DQM-II (Ex d) or DQM-III (Ex d) is recommended. Please see P7/20~29



Rated power(W)	Temperature classification			
	-40°C ≤ Ta ≤ +40°C		-40°C ≤ Ta ≤ +55°C	
	Gas	Dust	Gas	Dust
200	86°C (T5)	81°C	101°C (T4)	96°C
240	104°C (T4)	99°C	119°C (T4)	114°C

Dimension drawings (all dimensions in mm) - subject to alteration

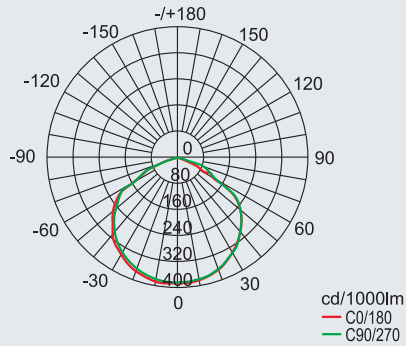


LED Light Fittings HRD95 Series Explosion-proof LED Lightings

Photometric data Note: LED luminous flux is from the standard product of which colour temperature is 5400 to 6500K (cool white).

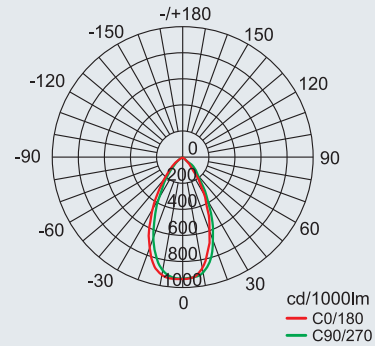
HRD95-90-□□(Standard products without lens)

Rated luminous flux
60W LED: 6730lm
90W LED: 10120lm
Luminous efficacy: 112lm/W



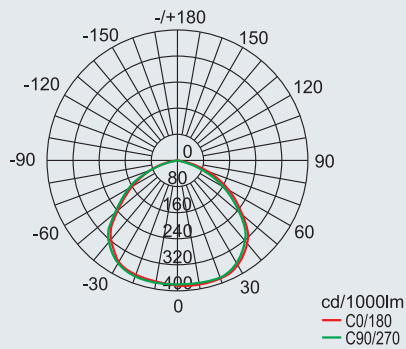
HRD95-90-□□(With 60° lens)

Rated luminous flux
60W LED: 6730lm
90W LED: 10120lm
Luminous efficacy: 112lm/W
Note: Lens of 40° and 25° can be provided on request.



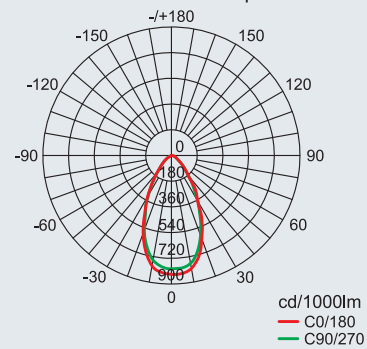
HRD95-160-□□(Standard products without lens)

Rated luminous flux
120W LED: 13420lm
160W LED: 17930lm
Luminous efficacy: 112lm/W



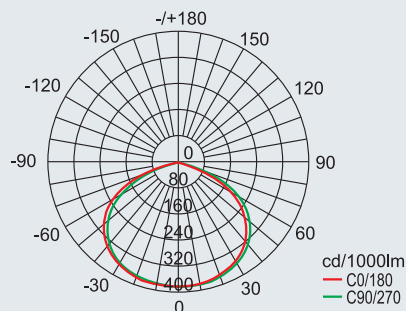
HRD95-160-□□(With 60° lens)

Rated luminous flux
120W LED: 13420lm
160W LED: 17930lm
Luminous efficacy: 112lm/W
Note: Lens of 40° and 25° can be provided on request.



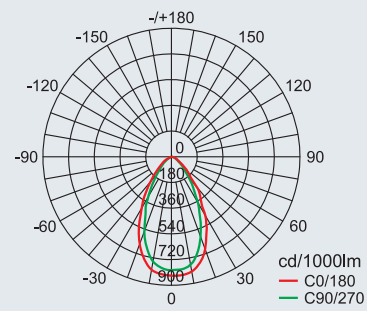
HRD95-240-□□(Standard products without lens)

Rated luminous flux
200W LED: 24000lm
240W LED: 28800lm
Luminous efficacy: 120lm/W



HRD95-240-□□(With 60° lens)

Rated luminous flux
200W LED: 24000lm
240W LED: 28800lm
Luminous efficacy: 120lm/W
Note: Lens of 40° and 25° can be provided on request.



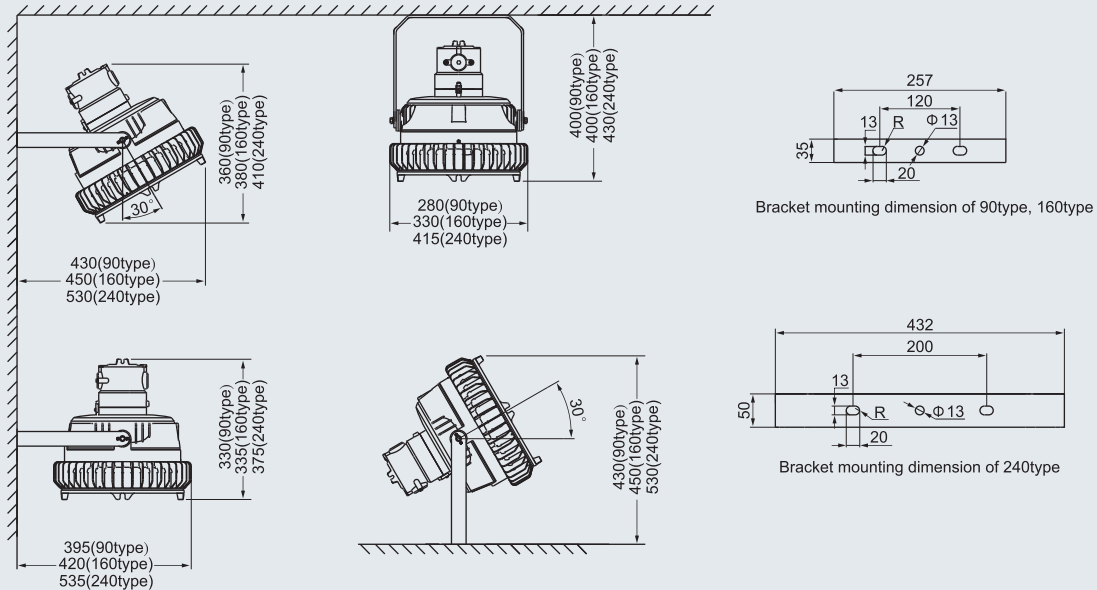
We can provide lighting design and data by professional lighting software DIALUX based upon simulated site situation on request.



LED Light Fittings HRD95 Series Explosion-proof LED Lightings

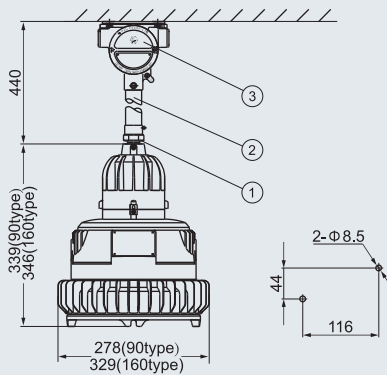
Mounting type (all dimensions in mm) - subject to alteration

K: bracket type



G: pendant pole type

Note: pendant pole type is unavailable to 240 type.

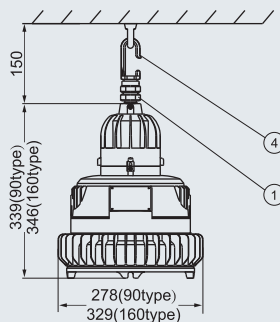


Accessories supplied with the light fittings:

- ①. BGJ-III explosion-proof connector M25×1.5(M)/M25×1.5(F), carbon steel.
- ②. Straight pipe (M25 x 1.5), length: 300mm.
- ③. BHD51-F (for 90 type and 160 type: copper-free aluminium), see P3/4.

D: hook type

Note: hook type is unavailable to 240 type.

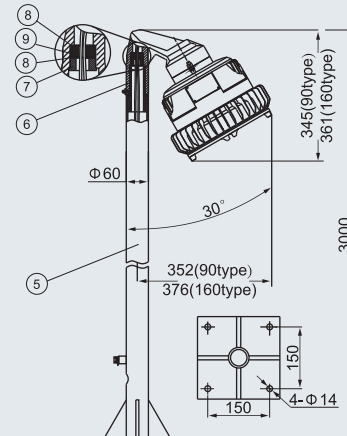


Accessories supplied with the light fittings:

- ①. BGJ-III explosion-proof connector M25×1.5 (M)/M25×1.5 (F), carbon steel.
- ④. Hook (carbon steel).

L: pole type

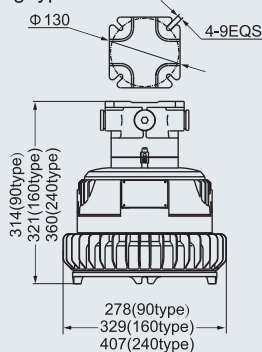
Note: pole type is unavailable to 240 type.



Accessories supplied with the light fittings:

- ⑤. Pole (shall be provided by user).
- ⑥. Outlet sleeve.
- ⑦. Locking bolt.
- ⑧. Washer.
- ⑨. Sealing ring

X: ceiling type



B: wall type

