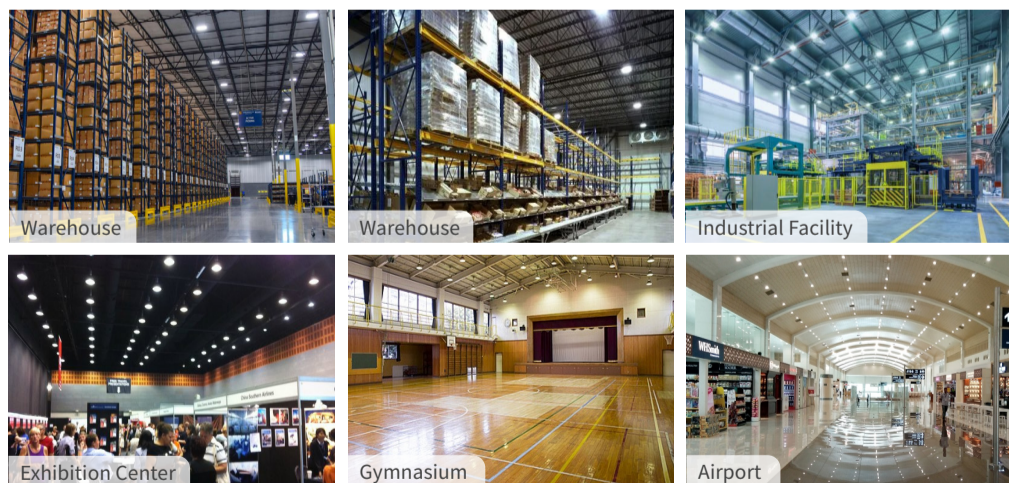




### Key Features

- High efficiency up to 200lm/W.
- High luminous flux up to 40000lm.
- Costs-effective modern design.
- Plug & play 12V PIR / Microwave motion sensor.
- IP65.

### Applications



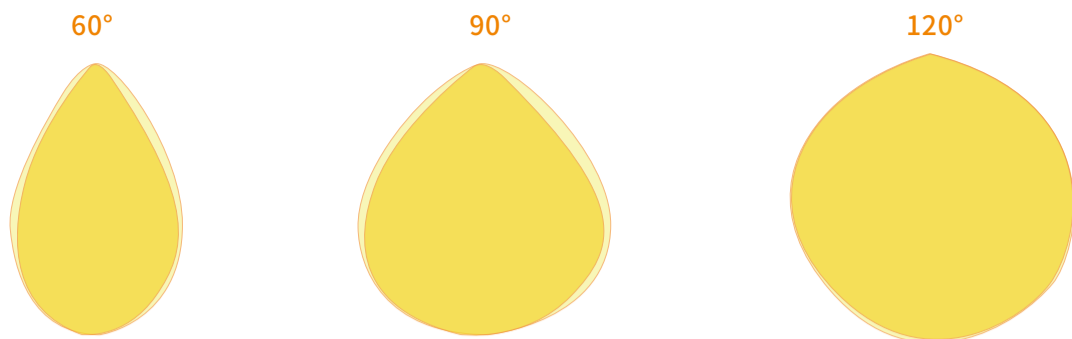
### Certifications

CE RoHS

### Specifications

Model No.	HB77-100W	HB77-150W	HB77-200W
Power Consumption	60W-100W	100W-150W	150W-200W
Product Dimension	φ240*163(mm)	φ280*163(mm)	φ320*166(mm)
Efficiency	150±10lm/W (Ra>80)		
Luminous Flux (±10%)	15000±1000lm	22500±1500lm	30000±2000lm
LED Quantity	203 PCS SMD 2835	319 PCS SMD 2835	406 PCS SMD 2835
Efficiency PLUS	180±10lm/W (Ra>80)		
Luminous Flux (±10%)	18000±1000lm	27000±1500lm	36000±2000lm
LED Quantity	290 PCS SMD 2835	435 PCS SMD 2835	580 PCS SMD 2835
Efficiency PLUS+	200±10lm/W (Ra>70)		
Luminous Flux (±10%)	20000±1000lm	30000±1500lm	40000±2000lm
LED Quantity	290 PCS SMD 2835	435 PCS SMD 2835	580 PCS SMD 2835
CCT	3000K;4000K;5000K;5700K;6500K		
Ingress Protection	IP65		
Color Rendering Index	Ra>70/80		
Beam Angle	60°/90°/120°		
Driver Brand	TOMCARLINE		
Input Voltage	AC200-240V		
Power Factor	0.95		
Frequency	47-63HZ		
Driver Type	Constant Current (CC)		
Luminaire Net Weight	1.9kg	2.4kg	3kg
Packing Information	1PCS/CTN	1PCS/CTN	1PCS/CTN
Export Carton Size	29*29*17CM	33*33*17CM	37*37*17CM
Gross Weight	2.4kg	3kg	3.8kg
Material	Housing	Aluminum Alloy	
	Optics	PC lens	
Finish	Powder Coating		
Fixture Color	Black		
Mounting Option	Hook Hanging/ Ceiling Mounting		
Storage temperature range	-30℃ - +70℃		
Storage humidity range	85% max.		
Operating temperature range	-30~+50℃		
Operating humidity range	85% max.		
Life Time	50.000 hours		
Warranty	5 Years		
Dimmable	1-10V dimmable		
Intelligent Control	PLug & play 12V PIR / Microwave motion sensor		
Optional Accessories	1-10V dimmable		
	PLug & play 12V PIR / Microwave motion sensor		
	CRI > 90 optional		
	±45° adjustable brackets		
	PC reflector		
	Aluminum reflector		
	Safety rope (0.5m length)		

## Photometry



## Mounting Options

### Hook Hanging

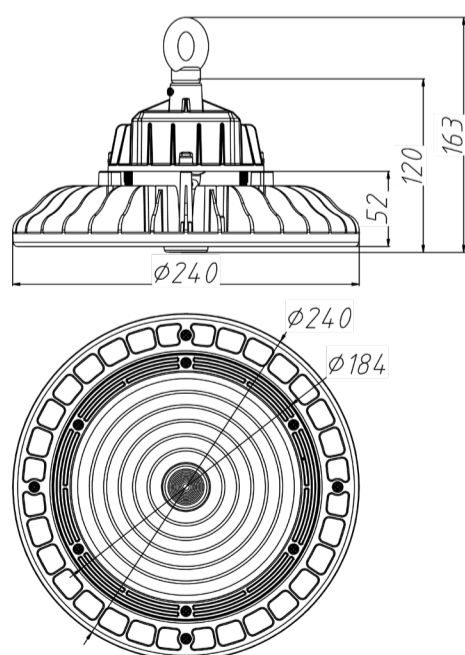


### Ceiling Mounting

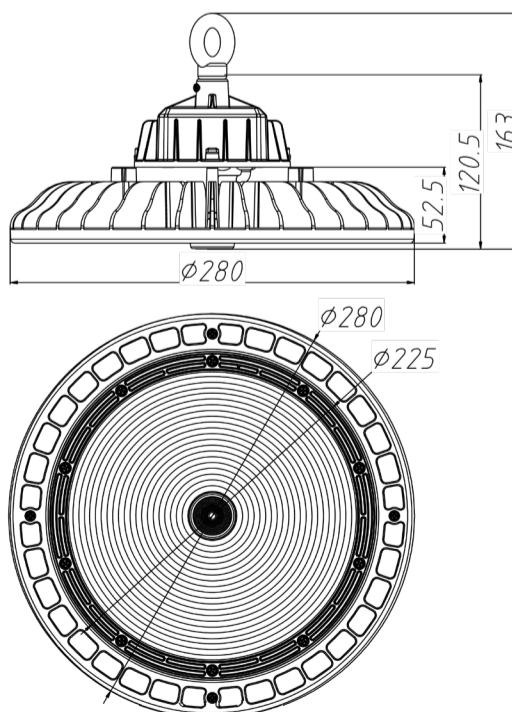


## Dimensions

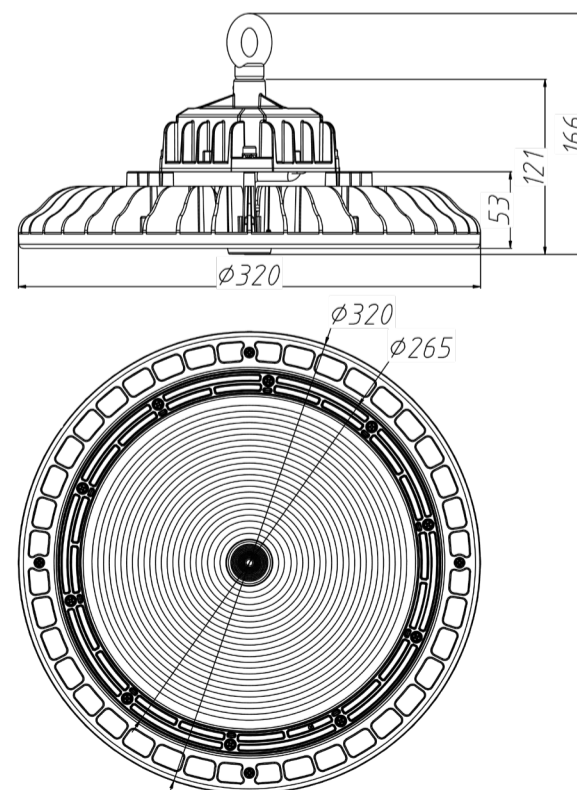
HB77-100W



HB77-150W



HB77-200W



## Accessories

**TOMCARLINE**



1-10V dimmable



Plug & play 12V microwave motion sensor & Remote control



Plug & play 12V PIR sensor & Remote control



Aluminum reflector



PC reflector



$\pm 45^\circ$  Adjustable brackets



Safety rope (0.5m length)