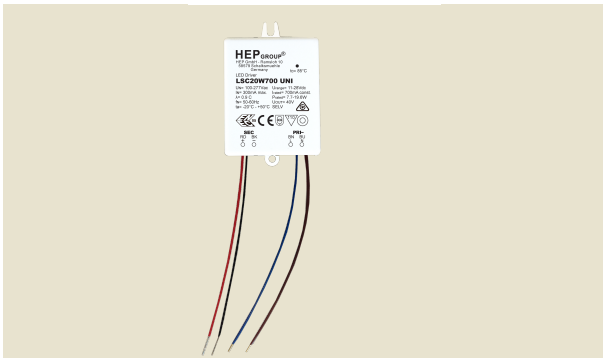


Constant Current LED Driver



Approval Marks



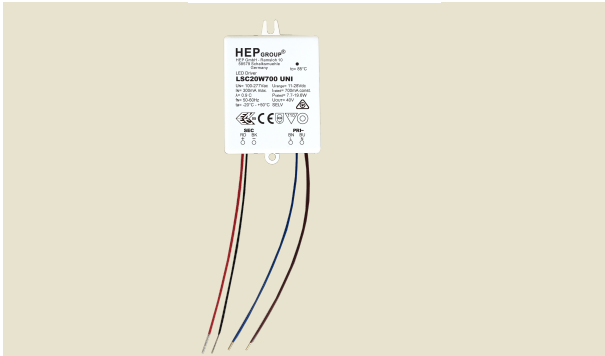
Certified

EN 61347-1:2008+A1+A2 EN 55015:2013
 EN 61347-2-13:2006 EN 61000-3-2:2006+A1+A2
 EN 62384:2006+A1 EN 61000-3-3:2013
 EN 61547:2009
 EN 62493:2010

Electronic

Parameter	Conditions	Min	Nom	Max	Unit
Rated Input Voltage		100	-	277	Vac
Input Frequency		47	50-60	63	Hz
Input Current	LSC20W250 UNI Full Load@100/230VAC	-	-	170/100	mA
	LSC20W300 UNI Full Load@100/230VAC	-	-	200/100	mA
	LSC20W350 UNI Full Load@100/230VAC	-	-	240/120	mA
	LSC20W500L UNI Full Load@100/230VAC	-	-	180/100	mA
	LSC20W700 UNI Full Load@100/230VAC	-	-	260/130	mA
Output Voltage Range	LSC20W250 UNI	32	-	55	Vdc
	LSC20W300 UNI	32	-	55	Vdc
	LSC20W350 UNI	32	-	55	Vdc
	LSC20W500L UNI	12	-	28	Vdc
	LSC20W700 UNI	11	-	28	Vdc
Output Current Range	LSC20W250 UNI	230	250	275	mA
	LSC20W300 UNI	285	300	315	mA
	LSC20W350 UNI	332	350	368	mA
	LSC20W500L UNI	475	500	525	mA
	LSC20W700 UNI	665	700	735	mA
Rated Output Power	LSC20W250 UNI	8	-	13.7	W
	LSC20W300 UNI	9.6	-	16.5	W
	LSC20W350 UNI	11	-	19.3	W
	LSC20W500L UNI	6	-	14	W
	LSC20W700 UNI	7.7	-	19.6	W
THD		-	-	20	%
Efficiency	Full Load	-	84	-	%
Standby Power		-	0.5	-	W
Rise Time		-	500	-	ms
Start-up Delay	(500ms at 240Vac and 277Vac)	-	500	1000	ms
Ripple Current	peak to peak @ full load	-	40	-	%
Output Current Overshoot		-	-	40	%
Power Factor	Full Load(100/240Vac)	0.9C	-	-	-
Protection		Short Circuit Protection			
		Overload Protection			
		Overheat Protection			
RoHS Standard		Compliant			

Constant Current LED Driver



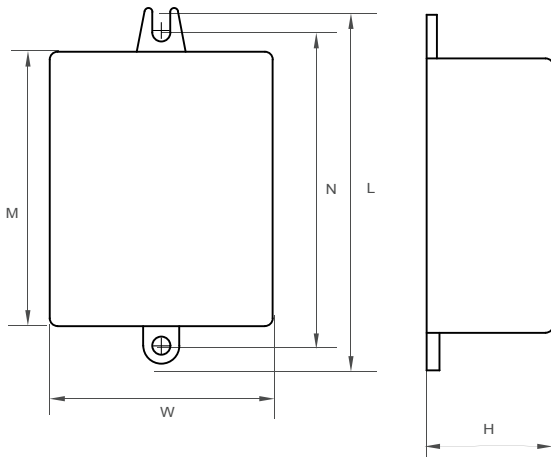
Approval Marks



Certified

EN 61347-1:2008+A1+A2	EN 55015:2013
EN 61347-2-13:2006	EN 61000-3-2:2006+A1+A2
EN 62384:2006+A1	EN 61000-3-3:2013
	EN 61547:2009
	EN 62493:2010

Physical Parameter



L : 69.3 mm W : 43.5 mm
 M : 53.5 mm H : 24.6 mm
 N : 61 mm

Tolerance : $\geq 0 \sim 100 \geq \pm 0.5$ mm
 $100 \geq \pm 1$ mm

Hard Wires : PRI Blue 7022#20,242mm / Brown 7022#20,235mm
 SEC Red / Black 1332#22,180mm

Housing Material : Polycarbonate / Half Potting
 Soldering : Lead-Free, Comply With RoHS
 Label : Surface Print

Wiring Diagram

