

# HBX SERIES HIGH BAY LIGHT

## Feature

- ◆ HBX high bay light available in three sizes for a variety of applications including warehouse, factory, workshop etc.
- ◆ Die-cast aluminum housing with corrosion resistant powder coat finish. Heat dissipating fins provide superior thermal performance extending the life of the electronic components.
- ◆ 100-277V, 50/60Hz electronic drivers
- ◆ 4 KV/KA surge protection included
- ◆ 3000K, 4000K, 5000K and 5700K CCT normal with 70 CRI
- ◆ High performance led chips 3030 , up to 140lm/W system lumen output
- ◆ Easy installation and wiring
- ◆ 1-10V Dimming available
- ◆ 5 years limited warranty
- ◆ Listed to UL1598 for use in wet location, listed for -40C to 40C applications

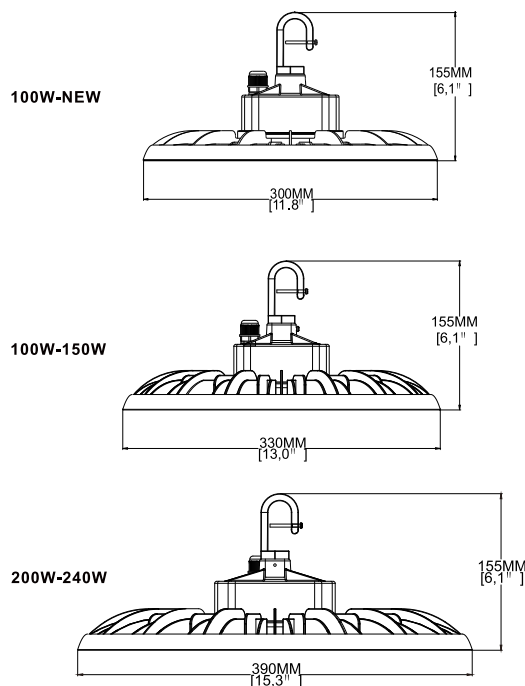
## Certificates



## Product image



## Dimensions



## Ordering Information

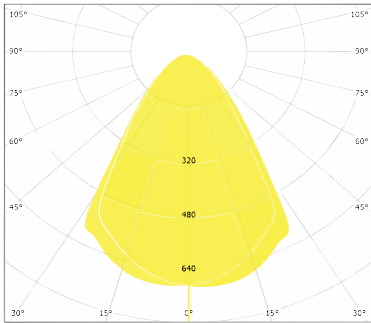
Product Family	Lamp Wattage	Color temperatruue	Distribution	Function
HBX Series High Bay Light	100W (NEW)	30K(3000K CRI >70)	T60(60°X60°)	"N" non-dimmable;
	100W	40K(4000K CRI >70)	T90(90°X90°)	"Y" dimmable;
	150W	50K(5000K CRI >70)	T110(110°X110°)	"S" Microwave induction;
	200W	57K(5700K CRI >70)		"D"Light-sensitive;
	240W			"B" Microwave induction and Light-sensitive;

## Shipping Infomation

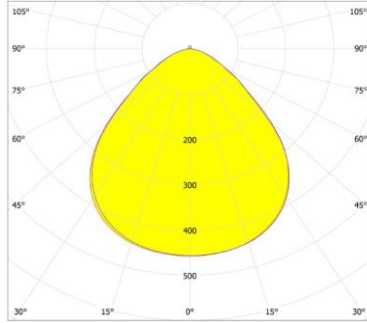
Model Number	G.W (kg)/CTN	Carton Dimensions			Carton Qty./ Master Park
		Length (cm)	Width (cm)	Height (cm)	
HBX100XXKTYZZ (NEW)	2.5Kg	35.5	15.5	35.5	1
HBX100XXKTYZZ	2.9Kg	40	15.5	41	1
HBX150XXKTYZZ	2.9Kg	40	15.5	41	1
HBX200XXKTYZZ	3.9Kg	44.5	15.5	46.5	1
HBX240XXKTYZZ	3.9Kg	44.5	15.5	46.5	1

# HBX SERIES HIGH BAY LIGHT

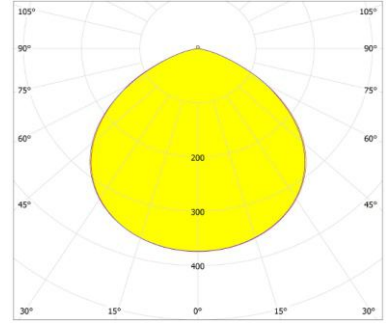
## Lumen Distribution



T60



T90



T110

## Electrical Parameter

Model Number	Input Voltage	Power Factor	System Watts	Current (Amps)
HBX100XXKTYZZ (NEW)	120V	0.98	105	0.80A Max
	277V	0.92	102	0.40A Max
HBX100XXKTYZZ	120V	0.99	105	0.80A Max
	277V	0.93	101	0.40A Max
HBX150XXKTYZZ	120V	0.99	155	1.20A Max
	277V	0.94	151	0.60A Max
HBX200XXKTYZZ	120V	0.99	205	1.60A Max
	277V	0.91	202	0.85A Max
HBX240XXKTYZZ	120V	0.99	245	1.80A Max
	277V	0.91	240	0.95A Max

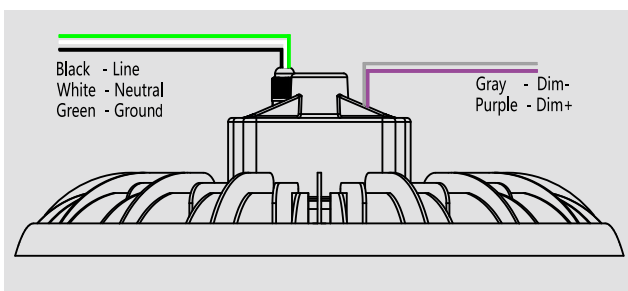
## Weight

Model Number	Weight LbS./kg
HBX100XXKTYZZ (NEW)	2.00
HBX100XXKTYZZ	2.45
HBX150XXKTYZZ	2.45
HBX200XXKTYZZ	3.30
HBX240XXKTYZZ	3.30

## Lumen Maintenance

Amibient Temperature	TM-21 Lumen Maintenance (50000 Hours)	Theoretical L70 (Hours)
25°C	>89%	>115000

## Wire Diagram



## Lumen Output T60 Lensing(60° X60° )

Model Number	Description	Lumen Output(lm)	Lumen Efficacy(lm/W)	Wattage(w)
HBX100W30KT60ZZ (NEW)	HBX UFO high bay 100W /3000K/T60 (NEW)	14633	139.82	104.6
HBX100W40KT60ZZ (NEW)	HBX UFO high bay 100W /4000K/T60 (NEW)	15273	145.94	104.6
HBX100W50KT60ZZ (NEW)	HBX UFO high bay 100W /5000K/T60 (NEW)	14892	143.19	104.0
HBX100W57KT60ZZ (NEW)	HBX UFO high bay 100W /5700K/T60 (NEW)	14350	136.86	104.8
Model Number	Description	Lumen Output(lm)	Lumen Efficacy(lm/W)	Wattage(w)
HBX100W30KT60ZZ	HBX UFO high bay 100W /3000K/T60	13937	132.70	105.1
HBX100W40KT60ZZ	HBX UFO high bay 100W /4000K/T60	14050	136.42	103.0
HBX100W50KT60ZZ	HBX UFO high bay 100W /5000K/T60	14155	137.16	103.2
HBX100W57KT60ZZ	HBX UFO high bay 100W /5700K/T60	13898	132.88	104.6
Model Number	Description	Lumen Output(lm)	Lumen Efficacy(lm/W)	Wattage(w)
HBX150W30KT60ZZ	HBX UFO high bay 150W /3000K/T60	19886	129.12	154.1
HBX150W40KT60ZZ	HBX UFO high bay 150W /4000K/T60	20559	133.16	154.4
HBX150W50KT60ZZ	HBX UFO high bay 150W /5000K/T60	20507	133.34	153.8
HBX150W57KT60ZZ	HBX UFO high bay 150W /5700K/T60	20423	130.50	156.5
Model Number	Description	Lumen Output(lm)	Lumen Efficacy(lm/W)	Wattage(w)
HBX200W30KT60ZZ	HBX UFO high bay 200W /3000K/T60	24578	126.56	194.2
HBX200W40KT60ZZ	HBX UFO high bay 200W /4000K/T60	25794	130.40	197.8
HBX200W50KT60ZZ	HBX UFO high bay 200W /5000K/T60	26093	132.72	196.6
HBX200W57KT60ZZ	HBX UFO high bay 200W /5700K/T60	25529	128.28	199.0
Model Number	Description	Lumen Output(lm)	Lumen Efficacy(lm/W)	Wattage(w)
HBX240W30KT60ZZ	HBX UFO high bay 240W /3000K/T60	30539	128.05	238.5
HBX240W40KT60ZZ	HBX UFO high bay 240W /4000K/T60	32265	133.05	242.5
HBX240W50KT60ZZ	HBX UFO high bay 240W /5000K/T60	32631	134.17	243.2
HBX240W57KT60ZZ	HBX UFO high bay 240W /5700K/T60	32009	131.29	243.8

## Lumen Output T90 Lensing(90° X90° )

Model Number	Description	Lumen Output(lm)	Lumen Efficacy(lm/W)	Wattage(w)
HBX100W30KT90ZZ (NEW)	HBX UFO high bay 100W /3000K/T90 (NEW)	14430	137.82	104.7
HBX100W40KT90ZZ (NEW)	HBX UFO high bay 100W /4000K/T90 (NEW)	15070	143.94	104.7
HBX100W50KT90ZZ (NEW)	HBX UFO high bay 100W /5000K/T90 (NEW)	14669	141.19	103.9
HBX100W57KT90ZZ (NEW)	HBX UFO high bay 100W /5700K/T90 (NEW)	14147	134.86	104.9
Model Number	Description	Lumen Output(lm)	Lumen Efficacy(lm/W)	Wattage(w)
HBX100W30KT90ZZ	HBX UFO high bay 100W /3000K/T90	14677	140.04	104.8
HBX100W40KT90ZZ	HBX UFO high bay 100W /4000K/T90	14790	144.29	102.5
HBX100W50KT90ZZ	HBX UFO high bay 100W /5000K/T90	14895	145.03	102.7
HBX100W57KT90ZZ	HBX UFO high bay 100W /5700K/T90	14638	140.75	104.0
Model Number	Description	Lumen Output(lm)	Lumen Efficacy(lm/W)	Wattage(w)
HBX150W30KT90ZZ	HBX UFO high bay 150W /3000K/T90	20626	133.33	154.7
HBX150W40KT90ZZ	HBX UFO high bay 150W /4000K/T90	21414	137.81	155.4
HBX150W50KT90ZZ	HBX UFO high bay 150W /5000K/T90	21109	137.71	153.3
HBX150W57KT90ZZ	HBX UFO high bay 150W /5700K/T90	21170	135.11	156.7

Model Number	Description	Lumen Output(lm)	Lumen Efficacy(lm/W)	Wattage(w)
HBX200W30KT90ZZ	HBX UFO high bay 200W /3000K/T90	26481	136.36	194.2
HBX200W40KT90ZZ	HBX UFO high bay 200W /4000K/T90	27697	140.02	197.8
HBX200W50KT90ZZ	HBX UFO high bay 200W /5000K/T90	27996	140.40	199.4
HBX200W57KT90ZZ	HBX UFO high bay 200W /5700K/T90	27432	137.85	199.0
Model Number	Description	Lumen Output(lm)	Lumen Efficacy(lm/W)	Wattage(w)
HBX240W30KT90ZZ	HBX UFO high bay 240W /3000K/T90	32442	135.86	238.8
HBX240W40KT90ZZ	HBX UFO high bay 240W /4000K/T90	34186	140.73	242.8
HBX240W50KT90ZZ	HBX UFO high bay 240W /5000K/T90	34534	141.82	243.5
HBX240W57KT90ZZ	HBX UFO high bay 240W /5700K/T90	33912	138.98	244.0

## Lumen Output T110 Lensing(110° X110° )

Model Number	Description	Lumen Output(lm)	Lumen Efficacy(lm/W)	Wattage(w)
HBX100W30KT110ZZ (NEW)	HBX UFO high bay 100W /3000K/T110(NEW)	14769	141.33	104.5
HBX100W40KT110ZZ (NEW)	HBX UFO high bay 100W /4000K/T110(NEW)	15409	147.30	104.6
HBX100W50KT110ZZ (NEW)	HBX UFO high bay 100W /5000K/T110(NEW)	15014	144.92	103.6
HBX100W57KT110ZZ (NEW)	HBX UFO high bay 100W /5700K/T110(NEW)	14492	138.40	104.7
Model Number	Description	Lumen Output(lm)	Lumen Efficacy(lm/W)	Wattage(w)
HBX100W30KT110ZZ	HBX UFO high bay 100W /3000K/T110	15016	143.69	104.5
HBX100W40KT110ZZ	HBX UFO high bay 100W /4000K/T110	15129	147.31	102.7
HBX100W50KT110ZZ	HBX UFO high bay 100W /5000K/T110	15234	146.91	103.7
HBX100W57KT110ZZ	HBX UFO high bay 100W /5700K/T110	14977	144.00	104.0
Model Number	Description	Lumen Output(lm)	Lumen Efficacy(lm/W)	Wattage(w)
HBX150W30KT110ZZ	HBX UFO high bay 150W /3000K/T110	20965	135.52	154.7
HBX150W40KT110ZZ	HBX UFO high bay 150W /4000K/T110	21743	140.10	155.2
HBX150W50KT110ZZ	HBX UFO high bay 150W /5000K/T110	21432	139.91	153.2
HBX150W57KT110ZZ	HBX UFO high bay 150W /5700K/T110	21487	137.38	156.5
Model Number	Description	Lumen Output(lm)	Lumen Efficacy(lm/W)	Wattage(w)
HBX200W30KT110ZZ	HBX UFO high bay 200W /3000K/T110	26818	138.16	194.1
HBX200W40KT110ZZ	HBX UFO high bay 200W /4000K/T110	28034	142.52	196.7
HBX200W50KT110ZZ	HBX UFO high bay 200W /5000K/T110	28333	143.31	197.7
HBX200W57KT110ZZ	HBX UFO high bay 200W /5700K/T110	27769	139.89	198.5
Model Number	Description	Lumen Output(lm)	Lumen Efficacy(lm/W)	Wattage(w)
HBX240W30KT110ZZ	HBX UFO high bay 240W /3000K/T110	32781	137.33	238.7
HBX240W40KT110ZZ	HBX UFO high bay 240W /4000K/T110	34507	142.23	242.6
HBX240W50KT110ZZ	HBX UFO high bay 240W /5000K/T110	34873	143.33	243.3
HBX240W57KT110ZZ	HBX UFO high bay 240W /5700K/T110	34251	140.49	243.8