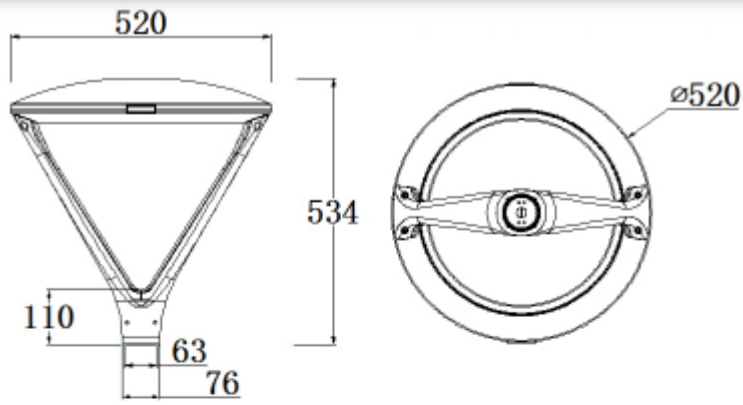


switch on

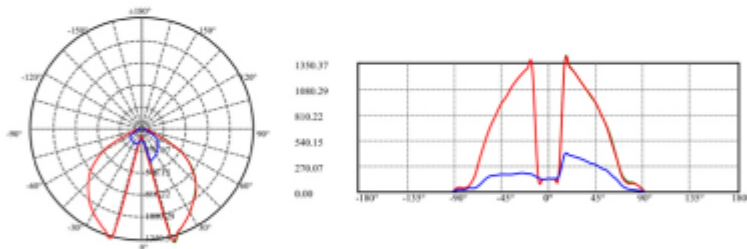


Technical Parameter

Series No.	Wattage	Input Voltage	Color Temperature	Lumen Efficiency	Color Housing	Mounting Way
HB-053	30w 40w 50w 60w 80w 100w	Normal: 100~240V AC North American: 100~277V AC 480V AC Solar System: 12V DC 24V DC	Cool White: 5000K Day White: 4000K Warm White: 3000K Customized CCT	Normal bright: 140-160lm/w (chips) @ CRI ≥ 65-70	Normal: Whole Black Customized color(MOQ ≥ 50 PCS)	Vertical mounting Top post or wall mounting Diameter of pole:60mm



Illumination Curve



1.0m	1350.4 , 478.1 lx	1107.82cm
3.0m	150.0 , 53.1 lx	3323.45cm
6.0m	37.5 , 13.3 lx	6646.89cm
9.0m	16.7 , 5.9 lx	9970.34cm
12.0m	9.4 , 3.3 lx	13293.78cm