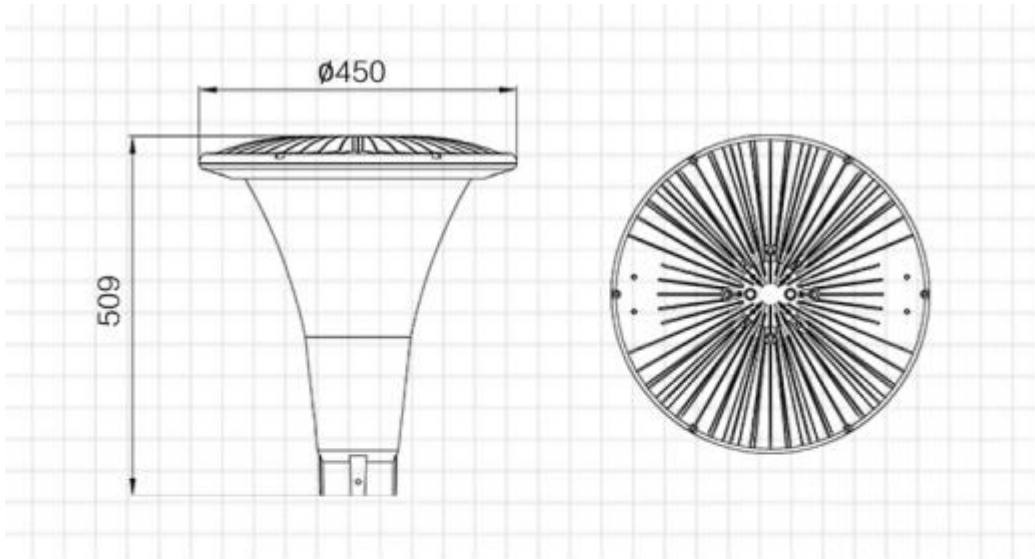


switch on

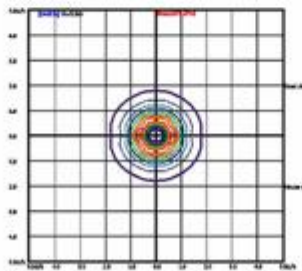
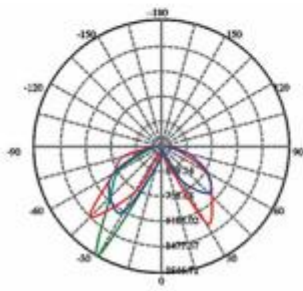


Technical Parameter

Series No.	Wattage	Input Voltage	Color Temperature	Lumen Efficiency	Color of Housing	Mounting Way
HB-035-04	30w 40w 50w 60w 80w 90w	Normal: 100~240V AC North American: 100~277V AC 480V AC Solar System: 12V DC 24V DC	Cool White: 5000K Day White: 4000K Warm White: 3000K Customized CCT	Normal bright: 130-140lm/w (chips) Super bright: 155lm/w (chips) @ CRI > 65-70	Normal: Black Customized color(MOQ ≥ 50 PCS)	Horizontal mounting with 0°



Illumination Curve



Illuminance at a Distance

	Center Beam LUX	Beam Width	
		V	H
2m	5.52 LUX	5.3m	1.1m
4m	1.38 LUX	10.6m	2.1m
6m	0.61 LUX	16.0m	3.2m
8m	0.34 LUX	21.3m	4.2m
10m	0.22 LUX	26.6m	5.3m
12m	0.15 LUX	31.9m	6.3m

Vert.Spread:106.1 Horiz.Spread:29.6