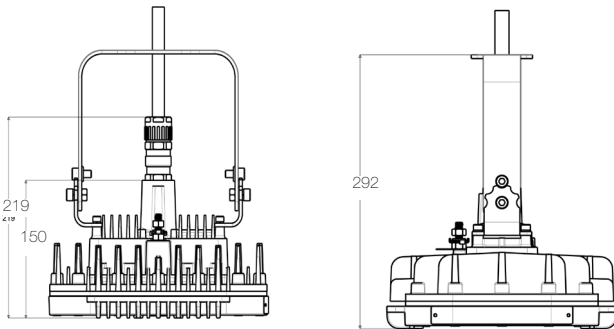


SafeSite LED Area Light - ATEX / IECEx

Amber Model



Patent pending



Dimensions in mm

Certifications & Ratings

- Ex d e IIC T4 Gb (Ta = -40°C to +65°C)
- Ex d e IIC T5 Gb (Ta = -40°C to +42°C)
- Ex t III C T135°C Db IP 6X (Ta = -40°C to +65°C)
- Ex t III C T100°C Db IP 6X (Ta = -40°C to +42°C)
- Certificate numbers: IECEx SIR 11.0156 SIRA 11ATEX1357
- ATEX Zones 1, 21
- ATEX Zones 2, 22
- ABS Design Assessed: #13-HS1043210C-PDA
- IP66
- IK08 impact rating

Mechanical Information:

Fixture weight:	9.53kg (21lb)
Shipping weight:	10.43kg (23lb)
Mounting:	Supplied with stirrup mounting bracket
Wiring options:	Factory installed 3 metre 3 core armored cable. 5 metre available, consult factory

Electrical Specifications:

Operating voltage:	100 – 277 VAC, 50/60 Hz
Power consumption:	See table
Operating temp:	-40°C to +65°C (40°F to +149°F)
Surge protection:	1 KV line to line 2 KV line to ground
THD:	<20%
Power factor:	> 0.9

Construction:

Housing:	Copper free aluminum (A360)
Finish:	Polyester / epoxy powder coat gray RAL 7040 for superior corrosion resistance
Lens:	Toughened glass

Photometric Information:

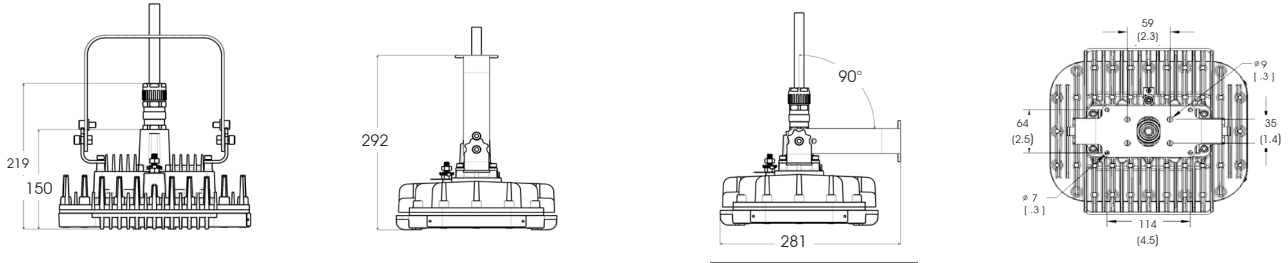
Peak Wavelength:	590nm
Optics:	180°C distribution 360°C distribution
IES files:	available at www.dialight.com

All values typical unless otherwise stated (tolerance +/- 10%)

SafeSite LED Area Light - ATEX / IECEx

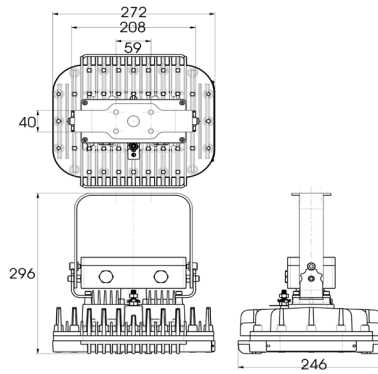
Dimensions with Stirrup Bracket

Zone 1 Standard and Amber Model

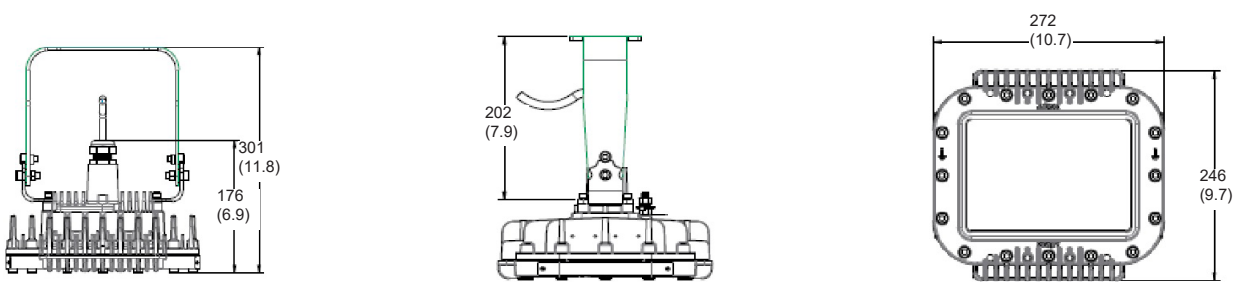


Zone 1 with Junction Box

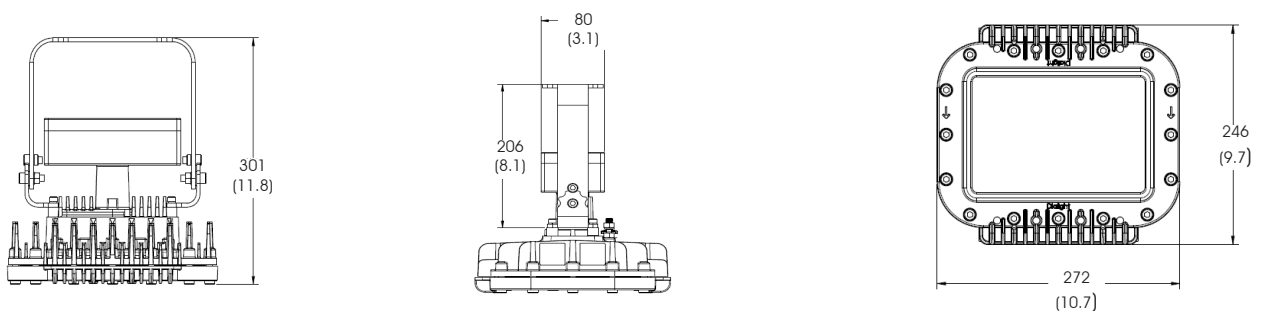
Junction Box



Zone 2



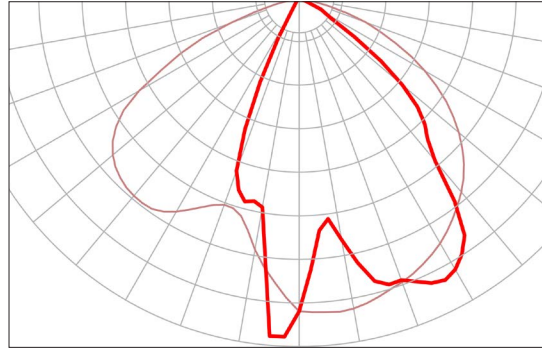
Zone 2 with Junction Box



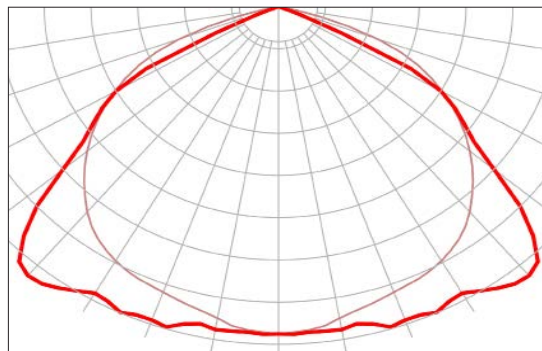
SafeSite LED Area Light - ATEX / IECEx

Light Distribution Pattern

180° light distribution



360° light distribution



SafeSite LED Area Light - ATEX / IECEx

Ordering Information

Part Number	Fixture Lumen	Wattage	lm/W	IP66	Voltage	Colour Temperature (CCT)	Lens	Light Distribution	Junction Box
IECEx / ATEX Zone 1, 21									
HZA9C2N	6,000	58	103	IP66	100 - 277 VAC	5000K (cool white)	Tempered glass	360°	
HZA8C2N	5,600	58	97	IP66	100 - 277 VAC	5000K (cool white)	Tempered glass	180°	
HZA5C2N	5,100	47	109	IP66	100 - 277 VAC	5000K (cool white)	Tempered glass	360°	
HZA4C2N	4,600	47	98	IP66	100 - 277 VAC	5000K (cool white)	Tempered glass	180°	
HZA3C2N	4,000	38	105	IP66	100 - 277 VAC	5000K (cool white)	Tempered glass	360°	
HZA2C2N	3,600	38	95	IP66	100 - 277 VAC	5000K (cool white)	Tempered glass	180°	
HZA1C2N	2,200	22	100	IP66	100 - 277 VAC	5000K (cool white)	Tempered glass	360°	
HZA0C2N	2,200	22	100	IP66	100 - 277 VAC	5000K (cool white)	Tempered glass	180°	
IECEx / ATEX Zone 1, 21 - Junction Box									
HZJA9C2N	6,000	58	103	IP66	100 - 277 VAC	5000K (cool white)	Tempered glass	360°	•
HZJA8C2N	5,600	58	97	IP66	100 - 277 VAC	5000K (cool white)	Tempered glass	180°	•
IECEx / ATEX Zone 2, 22									
HZB1C2N	2,500	22	114	IP66	100 - 277 VAC	5000K (cool white)	Tempered glass	360°	
HZB0C2N	2,000	22	91	IP66	100 - 277 VAC	5000K (cool white)	Tempered glass	180°	
IECEx / ATEX Zone 2, 22 - Junction Box									
HZJBFC2N	7,500	69	109	IP66	100 - 277 VAC	5000K (cool white)	Tempered glass	360°	•
HZJBEC2N	7,000	69	101	IP66	100 - 277 VAC	5000K (cool white)	Tempered glass	180°	•
HZJB9C2N	6,500	58	112	IP66	100 - 277 VAC	5000K (cool white)	Tempered glass	360°	•
HZJB8C2N	6,000	58	103	IP66	100 - 277 VAC	5000K (cool white)	Tempered glass	180°	•
HZJB5C2N	5,500	47	117	IP66	100 - 277 VAC	5000K (cool white)	Tempered glass	360°	•
HZJB4C2N	5,000	47	106	IP66	100 - 277 VAC	5000K (cool white)	Tempered glass	180°	•
HZJB3C2N	3,500	38	92	IP66	100 - 277 VAC	5000K (cool white)	Tempered glass	360°	•
HZJB2C2N	3,000	38	79	IP66	100 - 277 VAC	5000K (cool white)	Tempered glass	180°	•
HZJB1C2N	2,500	22	114	IP66	100 - 277 VAC	5000K (cool white)	Tempered glass	360°	•
HZJB0C2N	2,000	22	91	IP66	100 - 277 VAC	5000K (cool white)	Tempered glass	180°	•
ATEX / IECEx Zone 1, 21 - Amber Models									
HZA9A2N	3,700	58	64	IP66	100 - 277 VAC	Amber	Tempered glass	360°	
HZA8A2N	3,700	58	64	IP66	100 - 277 VAC	Amber	Tempered glass	180°	
HZA5A2N	3,000	47	64	IP66	100 - 277 VAC	Amber	Tempered glass	360°	
HZA4A2N	3,000	47	64	IP66	100 - 277 VAC	Amber	Tempered glass	180°	
HZA3A2N	2,300	38	61	IP66	100 - 277 VAC	Amber	Tempered glass	360°	
HZA2A2N	2,300	38	61	IP66	100 - 277 VAC	Amber	Tempered glass	180°	