

SafeSite® LED Area Light

Technical Specifications



Ratings and Certifications

- 5 year warranty
- L70 >150,000 hours @ 25°C ambient
- IECEx/ATEX Zones 1, 21
- IECEx/ATEX Zones 2, 22
- IP66
- IK08
- CE

*All features not available on every model. Please refer to product part number pages for model specifics.

Mechanical Information

Fixture weight:	9.1 kg (20 lbs)
Shipping weight:	10.0 kg (22 lbs)
Mounting:	316 Stainless steel mounting bracket Secondary retention standard
Cable Entries:	M20 x 2
Terminals:	4mm ² x 5

Specifications

Voltage:	100-277 VAC	Housing:	Copper-free aluminium
Operating temp:	-40°C to +65°C	Finish:	Superior dual coat finish - Sealed polyester topcoat
Power factor:	>0.9	Lens:	Tempered Glass
THD:	<20%	CRI:	75
Surge protection:	1kV line-to-line, 2kV line-to-ground	CCT:	5000K (cool white) 4000K (neutral white)

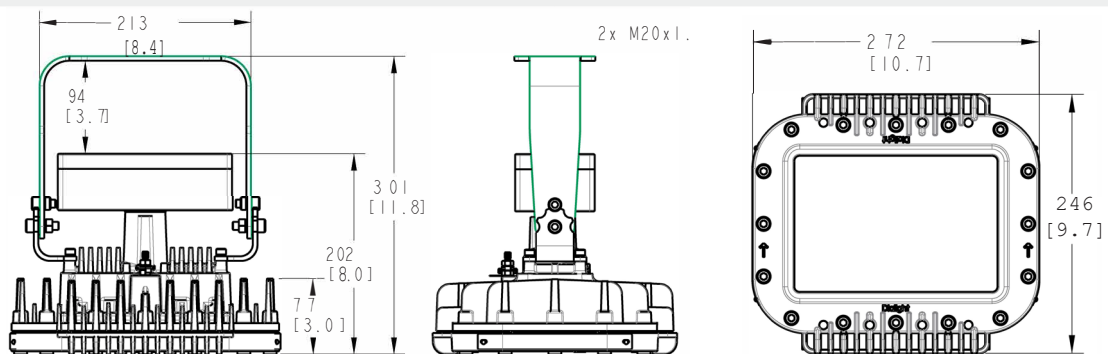
Comparison

	Warranty	L70	T-Rating
Dialight LED Area Light	5yr	>150,000	T5
Metal Halide	1	15,000	T3
High Pressure Sodium	1	20,000	T2

Performance Metrics

Lumens	Wattage	lm/W	Mounting Heights
6,000	58	103	6m
5,600	47	97	3m

Dimensions



Dimension in mm [inches]

SafeSite® LED Area Light

Ordering Information

Part Number	Lumen	Wattage	lm/W	Voltage	Colour Temperature (CCT)	Lens	Beam Distribution
HZJA9C2N	6,000	58	103	100-277 VAC	5000K (cool white)	Tempered glass	360°
HZJA8C2N	5,600	58	97	100-277 VAC	5000K (cool white)	Tempered glass	180°

All values typical unless otherwise stated (tolerance +/- 10%).

Leaded options available, please consult local Dialight sales office for availability.

Beam Distribution

