


# Contender™ LED Series Luminaires

Enclosed and Gasketed Fixtures — Hazardous Locations

NEC/CEC: Class I, Division 2, Groups A,B,C,D | Class I, Zone 2, AEx ec IIC Ⓢ | Class II, Division 1, Groups E,F,G | Zone 21, AEx tb IIC Ⓢ | Class II, Division 2, Groups F,G | Class III | Type 3R, 4, 4X | IP66/67 | Simultaneous Exposure | Suitable for Use in Wet Locations | Marine Outside Type (Salt Water) | American Bureau of Shipping (ABS) Certified | International Dark Sky (IDA) Approved

## Replacement Drivers

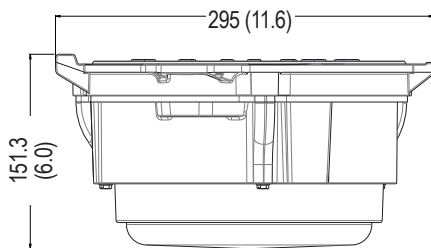
	Model	Voltage	Driver Wattage	Constant Current Settings	Catalog Number
	VMV3L	BU	50 Watt	720mA	APMS050C135UD72
		BH		720mA	APMS050C135HD72
	VMV4L	BU	50 Watt	1000mA	APMS050C135UD10
		BH		1000mA	APMS050C135HD10
	VMV5L	BU	50 Watt	1300mA	APMS050C135UD13
		BH		1300mA	APMS050C135HD13

## Luminaire Weights

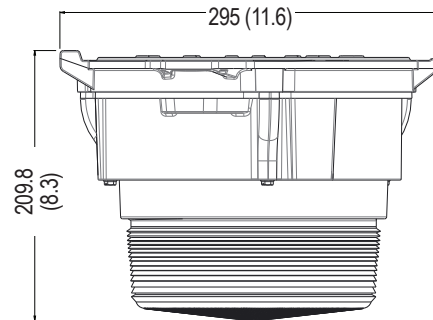
Description	Weight kg (lb)
Fixture Unit with Polycarbonate Clear Globe	5.3 (11.8)
Fixture Unit with Polycarbonate Diffused Globe	5.3 (11.8)
Fixture Unit with Polycarbonate Glass Globe	5.9 (13.0)
Fixture Unit with Short Prismatic Glass Refractor	6.7 (14.9)

## Dimensions in Millimeters (Inches)

### Clear/Diffused/Glass Globes



### Short Prismatic Glass Refractor



Ⓢ AEx rating is only applicable to product configurations with terminal block wiring option