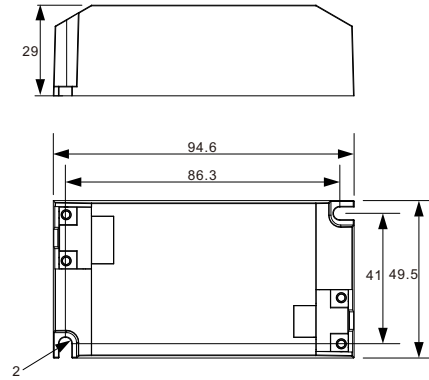


## Leading edge and trailing edge dimmable



Dimmer LED Driver/调光驱动器  
Class1 Luminaire/1类灯具

DIMMER DRIVER  
调光LED驱动器



Dimension(mm)  
L94.6\*W49.5\*H29mm

### Electronic Parameter/电气参数

Model	Ingress Protection	In put Voltage	Pout W	Uout DC	Iout DC	Ta °C	tc °C	λ	Colours	Certification Type
GLP18WTZG300	IP20	220-240 Vac	12-18	40-60	300mA	-20°C~+50°C	80	0.9C	White	CE
GLP18WTZG350	IP20	220-240 Vac	12-18	34-52	350mA	-20°C~+50°C	80	0.9C	White	CE
GLP18WTZG400	IP20	220-240 Vac	12-18	30-45	400mA	-20°C~+50°C	80	0.9C	White	CE
GLP18WTZG500	IP20	220-240 Vac	12-18	24-36	500mA	-20°C~+50°C	80	0.9C	White	CE
GLP18WTZG600	IP20	220-240 Vac	12-18	20-30	600mA	-20°C~+50°C	80	0.9C	White	CE
GLP18WTZG700	IP20	220-240 Vac	12-18	17-26	700mA	-20°C~+50°C	80	0.9C	White	CE

### Standards/认证编号

EN 55015:2006+A2:2009  
EN 61547:2009  
EN 61000-3-2:2006+A2:2009  
EN 61000-3-3:2008

### Lamps/灯具

Power LED  
LED modules

### Frequency/输入频率

50-60Hz

### Housing Material: Polycarbonate

外壳材质: 聚碳酸酯

### Protection/保护:

1. Overload Protection/过载保护
2. Short Circuit Protection/短路保护
3. Over Heat Protection/过温保护

### Terminal Block: PRI: Screw Type

接线端子: 输入: 锁螺丝  
SEC: Screw Type  
输出: 锁螺丝

### Soldering: Lead-Free, Comply With RoHS

焊锡: 无铅, 符合RoHS规范

### Label: Surface Print

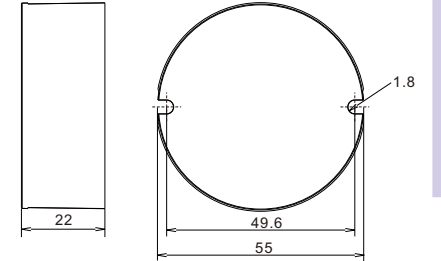
标签: 网印

## Leading edge and trailing edge dimmable



Dimmer LED Driver/调光驱动器  
Class1 Luminaire/1类灯具

DIMMER DRIVER  
调光LED驱动器



Dimension(mm)  
Φ55\*22mm

### Electronic Parameter/电气参数

Model	Ingress Protection	In put Voltage	Pout W	Uout DC	Iout DC	Ta °C	tc °C	λ	Colours	Certification Type
GLP18WTRG300-P	IP65	220-240 Vac	12-18	40-60	300mA	-20°C~+50°C	80	0.9C	White	TUV
GLP18WTRG350-P	IP65	220-240 Vac	12-18	34-52	350mA	-20°C~+50°C	80	0.9C	White	TUV
GLP18WTRG400-P	IP65	220-240 Vac	12-18	30-45	400mA	-20°C~+50°C	80	0.9C	White	TUV
GLP18WTRG450-P	IP65	220-240 Vac	12-18	26-40	450mA	-20°C~+50°C	80	0.9C	White	TUV
GLP18WTRG500-P	IP65	220-240 Vac	12-18	24-36	500mA	-20°C~+50°C	80	0.9C	White	TUV
GLP18WTRG550-P	IP65	220-240 Vac	12-18	22-33	550mA	-20°C~+50°C	80	0.9C	White	TUV
GLP18WTRG600-P	IP65	220-240 Vac	12-18	20-30	600mA	-20°C~+50°C	80	0.9C	White	TUV
GLP18WTRG700-P	IP65	220-240 Vac	12-18	17-26	700mA	-20°C~+50°C	80	0.9C	White	TUV

### Standards/认证编号

EN 55015:2013  
EN 55015:2013+A1  
EN 61547:2009  
EN 61000-3-2:2014  
EN 61000-3-3:2013

### Lamps/灯具

Power LED  
LED modules

### Frequency/输入频率

50-60Hz

### Housing Material: Polycarbonate

外壳材质: 聚碳酸酯

### Protection/保护:

1. Overload Protection/过载保护
2. Short Circuit Protection/短路保护
3. Over Heat Protection/过温保护

### Terminal Block: PRI: Blue/Brown 150mm AWG#20

接线端子: 输入: 棕/蓝色线 150mm AWG#20  
SEC: Red/Black 300mm AWG#22  
输出: 红/黑色线 300mm AWG#22

### Soldering: Lead-Free, Comply With RoHS

焊锡: 无铅, 符合RoHS规范

### Label: Surface Print

标签: 网印