

• Φ40-60mm poles compatible

### Key Features

- 130lm/W
- Excellent thermal management design
- Cost effective solution
- IP65

### Applications

- Residential roads and streets
- Parks and parking lots
- Loading areas and sporting venues

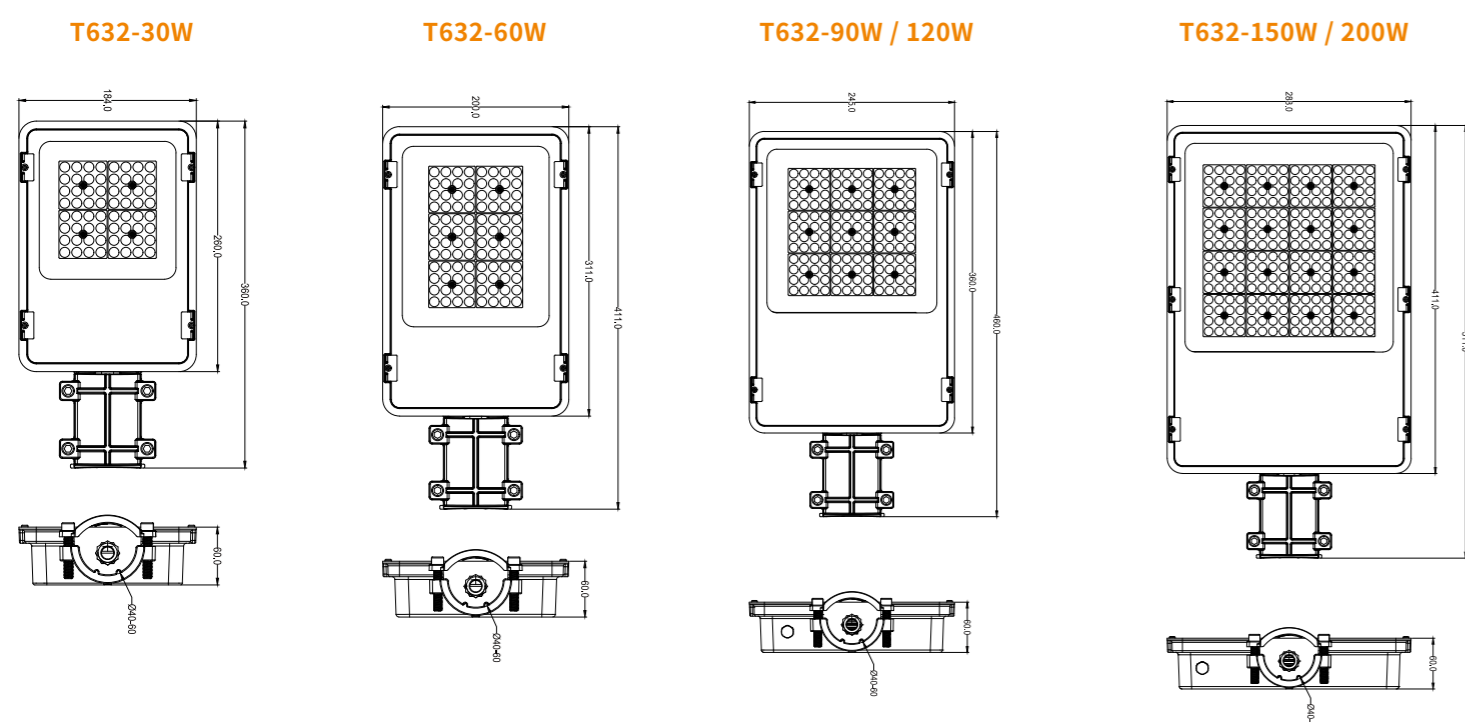
### Certifications

CE RoHS

### Specifications

Model No.	T632-30W	T632-60W	T632-90W	T632-120W	T632-150W	T632-200W
Power	30W	60W	90W	120W	150W	200W
Product Dimension	360*184*60(mm)	411*200*60(mm)	460*245*60(mm)	460*245*60(mm)	511*288*60(mm)	511*288*60(mm)
Efficiency	130±10lm/W					
Luminous Flux (±10%)	3900±300lm	7800±600lm	11700±900lm	15600±1200lm	19500±1500lm	26000±2000lm
LED Quantity	64 PCS EMC 3030	96 PCS EMC 3030	144 PCS EMC 3030	144 PCS EMC 3030	256PCS EMC 3030	256PCS EMC 3030
CCT	3000K;4000K;5000K;6000K					
Ingress Protection	IP65					
Color Rendering Index	Ra>70					
Beam Angle	Type 2 / Type 3 / Type 4					
Driver Brand	TOMCARLINE					
Input Voltage	AC200-240V					
Power Factor	>0.9					
Frequency	50-60Hz					
Driver Type	Constant Current (CC)					
Luminaire Net Weight	2.08kg	2.62kg	4.05kg	4.05kg	5.3kg	5.3kg
Packing Information	4PCS/CTN	4PCS/CTN	2PCS/CTN	2PCS/CTN	2PCS/CTN	2PCS/CTN
Export Carton Size	47.5*42*24(cm)	50.5*47*24(cm)	52*30.5*24(cm)	52*30.5*24(cm)	57*34.8*24(cm)	57*34.8*24(cm)
Gross Weight	10.18kg	12.59kg	9.49kg	9.49kg	12.25kg	12.25kg
Material	Housing	Aluminum Alloy				
	Optics	Tempered Glass+PC lens				
Finish	Powder Coating					
Fixture Color	Silver					
Mounting Option	Slip Fitter Horizontal Installation					
Storage temperature range	-30℃ - +70℃					
Storage humidity range	85% max.					
Operating temperature range	-30~+45℃					
Operating humidity range	85% max.					
Life Time	30.000 hours					
Warranty	3 Years					
Optional Accessories	1-10V dimmable					
	Daylight sensor photocell / Daylight photocontroller					
	3Pin / 5Pin NEMA base					
	10/20KV SPD					

### Dimensions



### Light distribution

