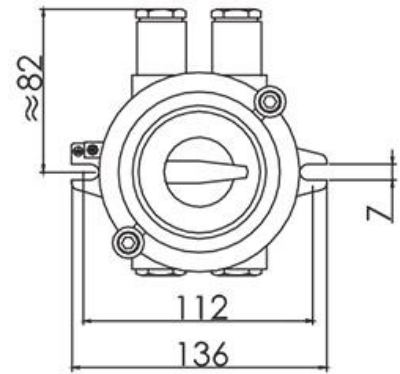
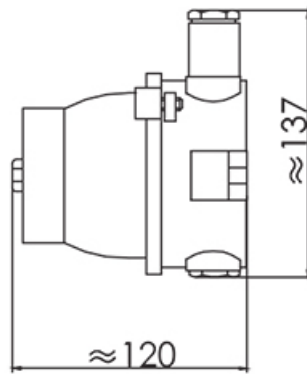


## Watertight Switches

### Explosion Proof Watertight Switches (Cast brass)



### Available variant

380V	Type	Number of poles	Rated voltage	Rated current	Protection class	Working temperature	Weight
792887S/EXP	DCHH202-1	2	380V	16A	IP66	-20°C to +50°C	1.9Kg

### Usage purposes

The explosion proof watertight switches are commonly used for electric connection on board ships, offshore oil facilities, chemical industries and other locations that deals with inflammable and explosive gases. These switches are made of cast brass. They feature one single switch with one inlet and one outlet gland.

### Adoption standard

- IEC60079.

### Disclaimer / Safety advice

We advise caution when using this product. Thus, for the user's own safety, we strongly urge the user of this product to select the correct variant with respect to the user's power requirements and to remember not to overload the product when using it. We would also like to remind users to always pay attention to circuit safety and your own personal safety when installing the explosion proof watertight switch.