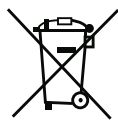
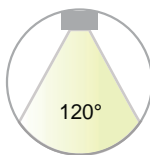


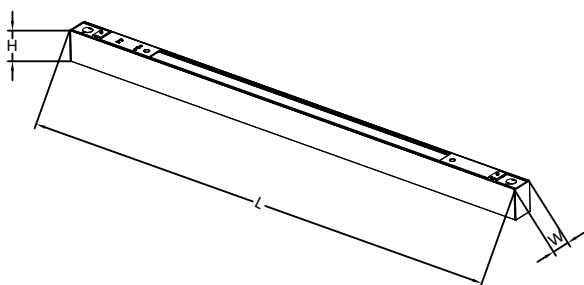
# Up/down Suspended Linear Light



## Features & Benefits

1. Extruded-aluminum housing is well suited for open-plan space design.
2. Provides lighting distribution options of 70% Downlight 30% Uplight, 90% Downlight 10% Uplight, 100% Downlight.
3. CCT selected at 3500K/4000K/5000K, 3 wattages selectable.
4. LED Efficiency of 115 lm/w, typical 80 plus CRI.
5. universal voltage: 100-277V.
6. Available with suspended installation and suspended continuous row-mounting installation.
7. Easy Installation – Suspended kits provide an easy and fast pendant mounting.

## Product Dimension



Model	LxWxH
TS-AS1-2FTXX	610x50x79(mm) / 25.59"x1.97"x3.11"
TS-AS1-4FTXX	1220x50x79(mm) / 48.03"x1.97"x3.11"
TS-AS1-8FTXX	2440x50x79(mm) / 96.06"x1.97"x3.11"

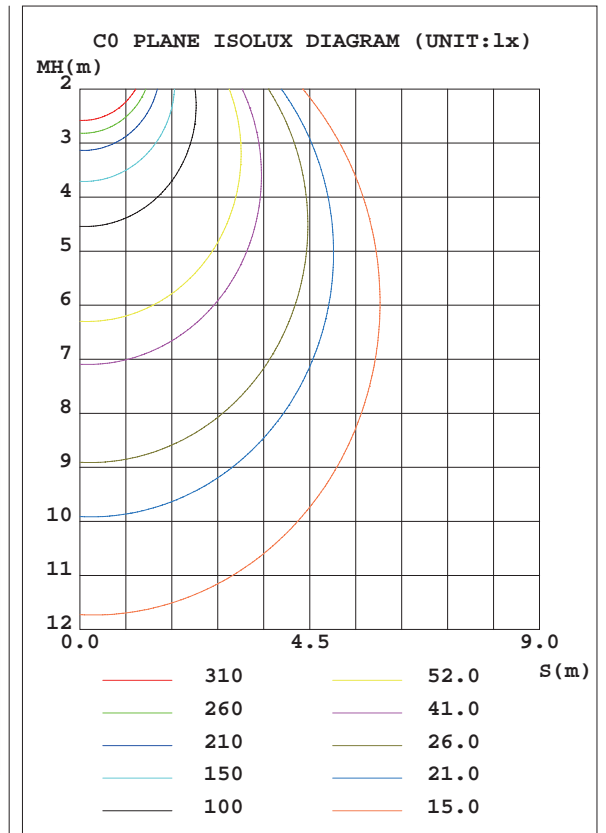
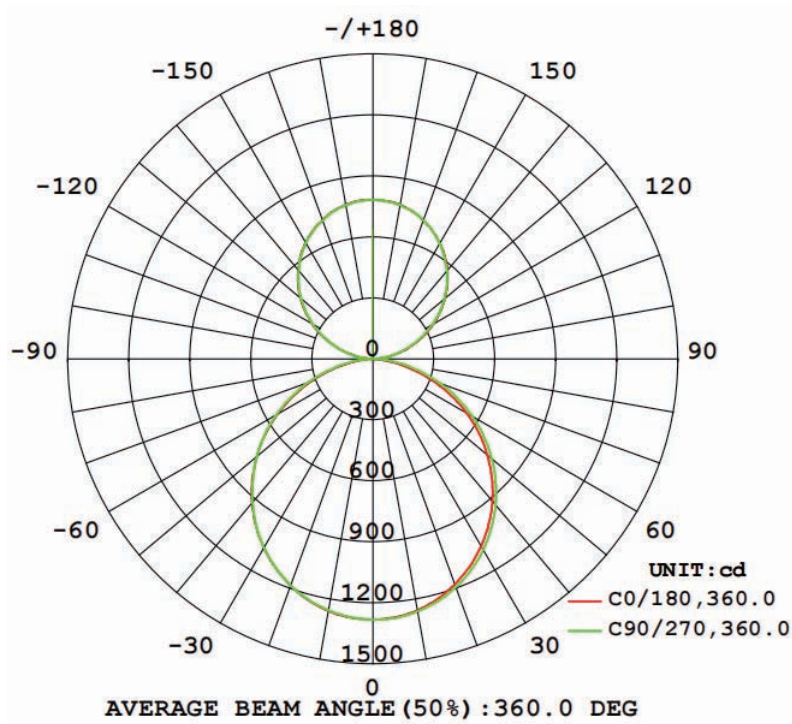
## Specification

Part No.	Power	Input Voltage	Luminous Flux	Luminous Efficacy	CCT	Viewing Angle	Ra	PF	Warranty	Emergency Power	Emergency Time
TS-AS1-2FT25W-TCP(XX)	15/20/25W	AC100-277V	1725lm 2300lm 2875lm	115lm/W	3500K 4000K 5000K	120°	>80	>0.9	5 Years	8W	90 Minutes
TS-AS1-4FT40W-TCP(XX)	25/30/40W		2875lm 3450lm 4600lm								
TS-AS1-4FT50W-TCP(XX)	30/40/50W		3450lm 4600lm 5750lm								
TS-AS1-8FT70W-TCP(XX)	50/60/70W		5750lm 6900lm 8050lm								
TS-AS1-8FT80W-TCP(XX)	50/64/80W		5750lm 7360lm 9200lm								

The following multiple functions can be achieved according to customers' requests

- 1.Remove or turn off the emergency battery when testing the luminous efficacy.
- 2.Available with external or built-in microwave motion sensor
- 3.Emergency: the power is 8W, it can still work in 1.5hrs while emergency situation.
- 4.Remove or turn off the emergency battery when testing the luminous efficacy.

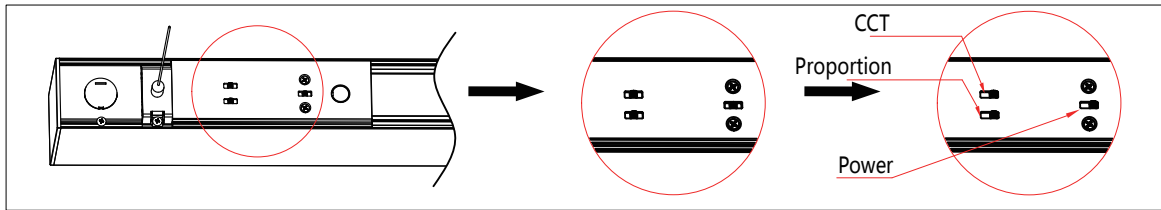
## Testing Report ■ ■ ■



## Applications ■ ■ ■






## CCT&Wattage selectable



## Installation manual

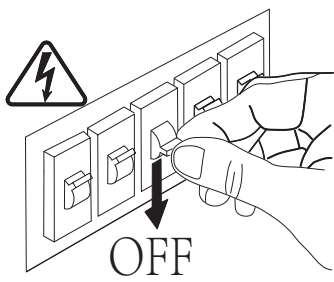
### A.Suspending installation

#### Parts List

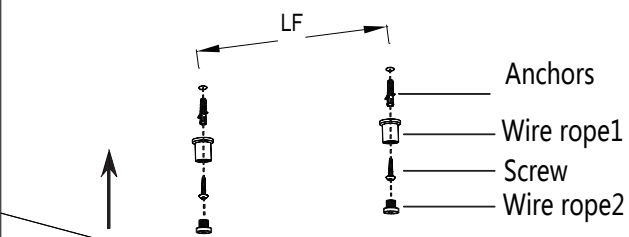
Suspending installation -2FT(included)	
	Parts: (2) Safety rope (2) Anchors (2) Screw (1) Waterproof joint
Suspending installation -4FT (inlcuded)	
	Parts: (2) Safety rope (2) Anchors (2) Screw (1) Waterproof joint
Suspending installation -8FT (inlcuded)	
	Parts: (2) Safety rope (2) Anchors (2) Screw (1) Waterproof joint

### Installation intructions

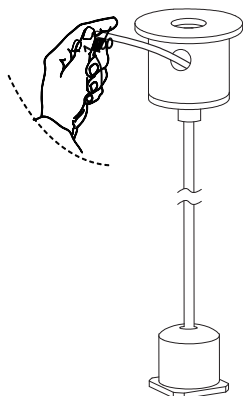
1. Turn off the power before installation



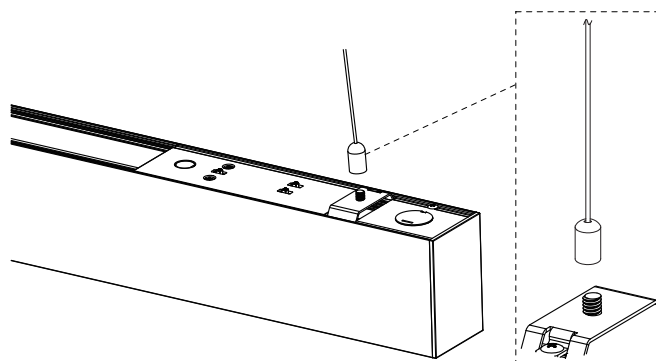
2. Fixing the hook and suspending the lamp.



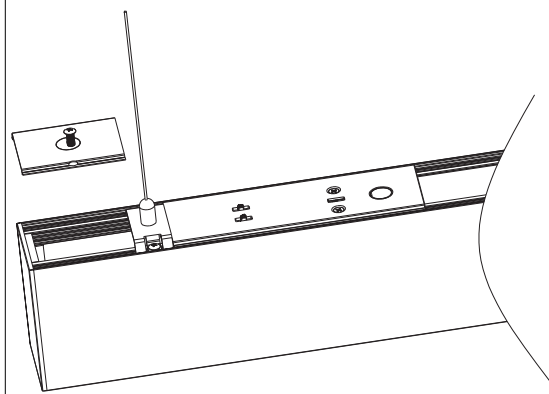
3. Adjusting the hanging rope length.



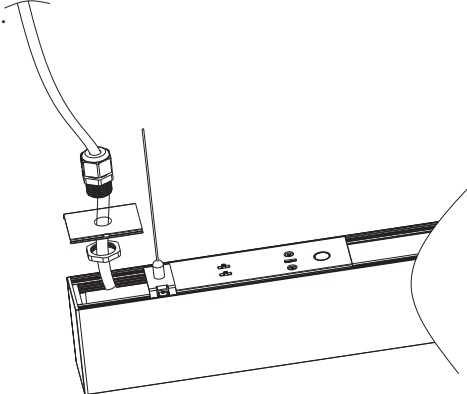
4. Use M5 square screw and M5 fixed head to fix LED strip light.



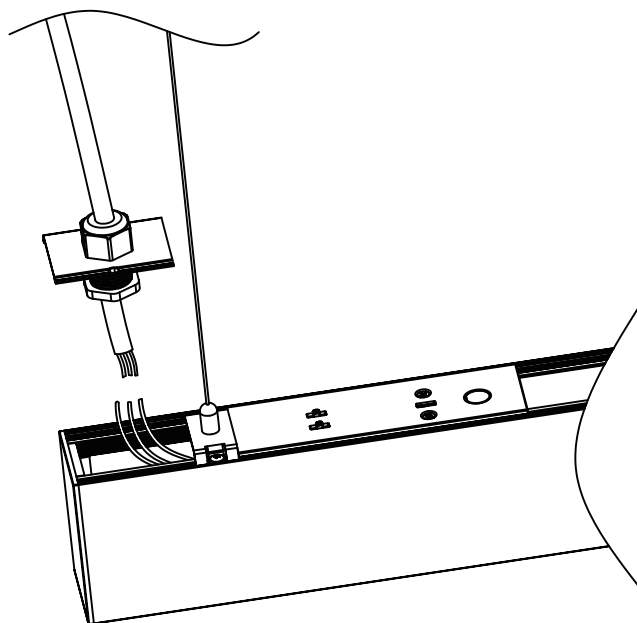
5. Screwed off the knockout hole at the end of lamp body.



6. The input cable passes through the waterproof connector and cover plate.



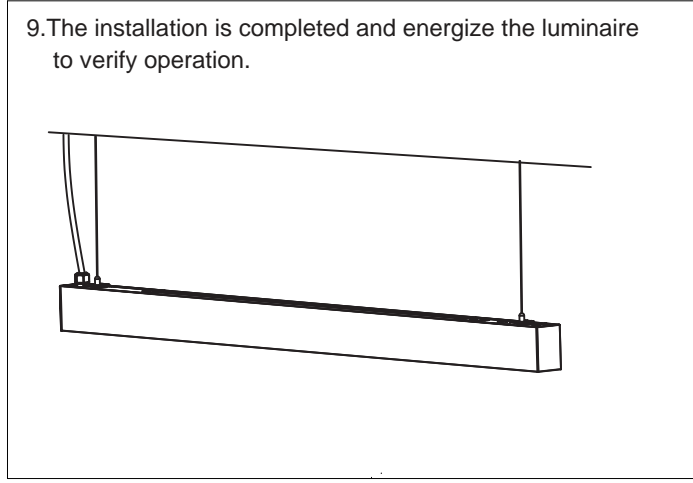
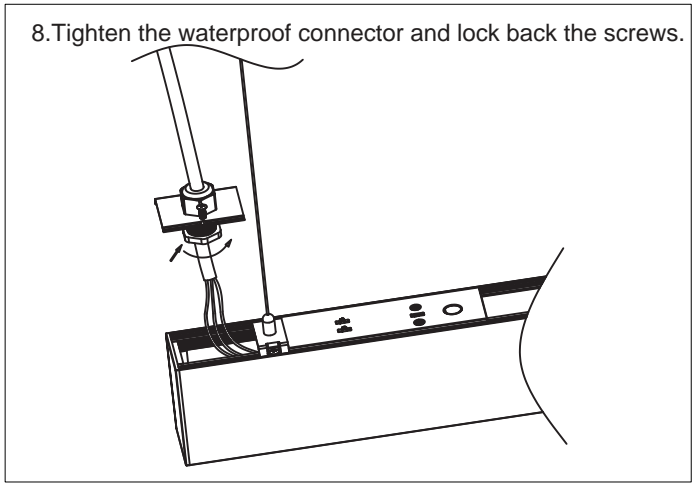
7. Turn off the power and Attach the corresponding wire.



BROWN(LINE)

BLUE (NEUTRAL)

YELLOW AND GREEN(GRD)

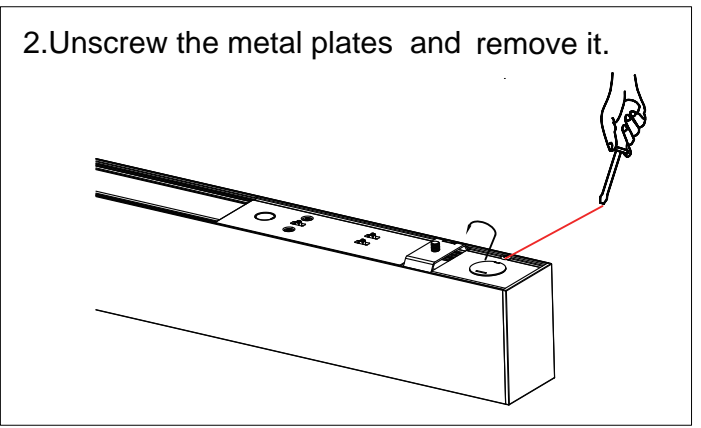
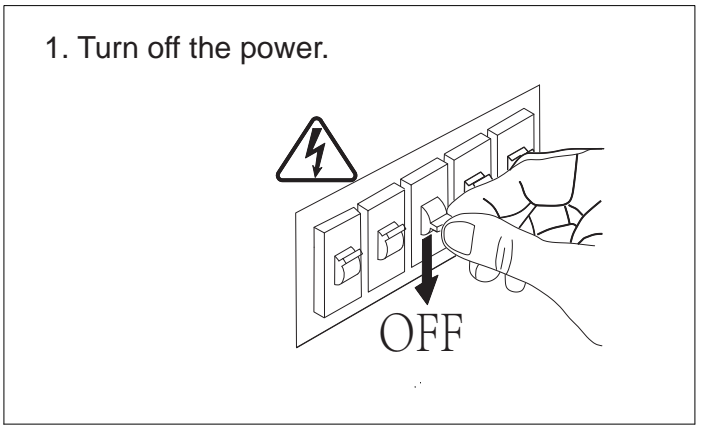


**B. Suspending continuous row mounting(daisy connection)**

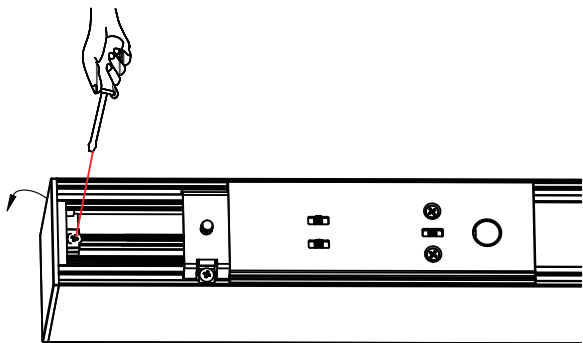
**Parts List**

Continuous Row Mounting-2FT(included)	
	Parts: (1) Splice Plate (1) Waterproof joint (5) Wire Nuts (2) Anchors (2) Baffle (12) Screws (2) Safety Rope
Continuous Row Mounting-4FT(included)	
	Parts: (1) Splice Plate (5) Wire Nuts (2) Anchors (2) Baffle (12) Screws (2) Safety Rope (1) Waterproof joint
Continuous Row Mounting-8FT(included)	
	Parts: (1) Splice Plate (5) Wire Nuts (2) Anchors (2) Baffle (12) Screws (2) Safety Rope (1) Waterproof joint

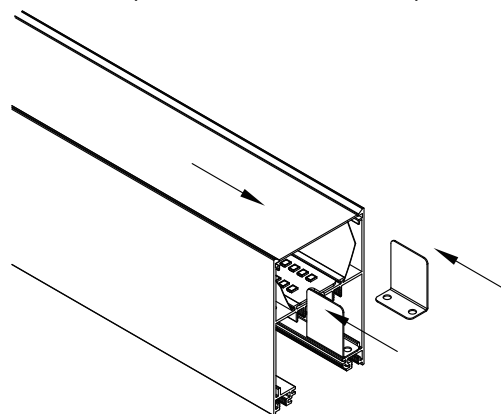
**Installation instructions**



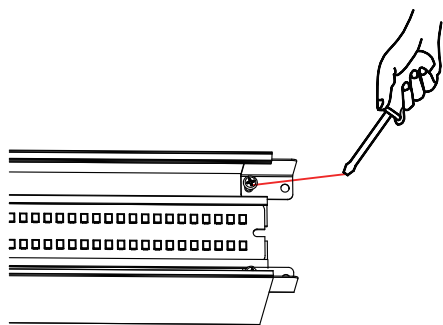
3. Unscrew the plastic end cover and remove it.



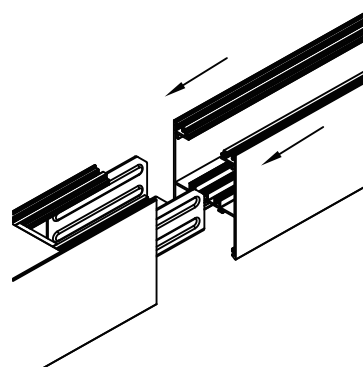
4. Fit the baffle to the profile and remove diffuser plate.



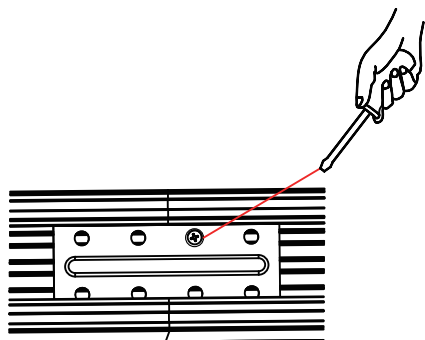
5. Tighten the screws on the baffle .



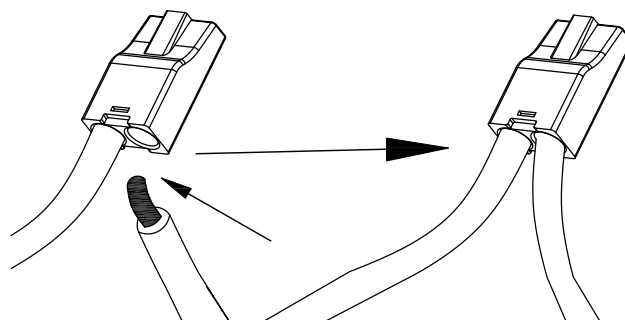
6. Use a splice plate to combine two luminaires fixtures.



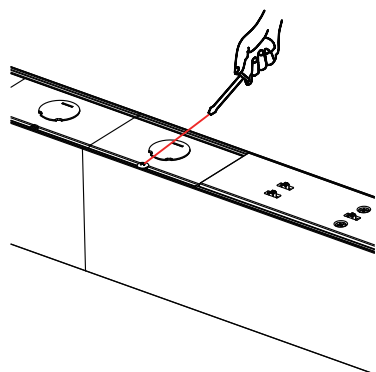
7. Tighten the screws on the splicing plate.



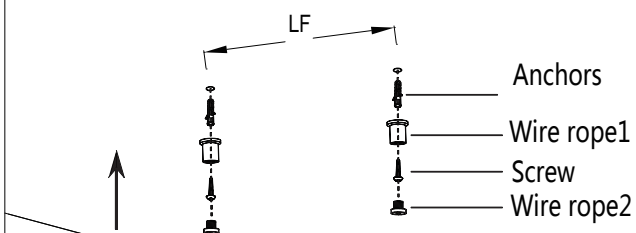
8. Connect the same type of electronic conductor through the terminal to form a parallel circuit.



9. Place the sheet metal and screw it.

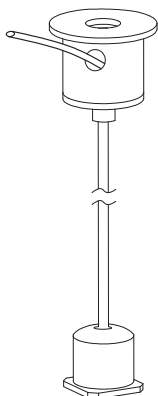


10. Fixing the hook and suspending the lamp.

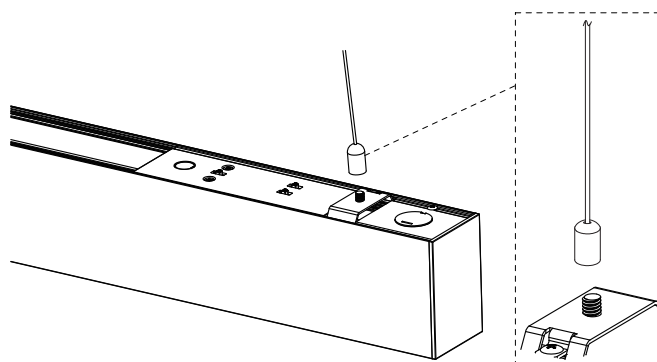




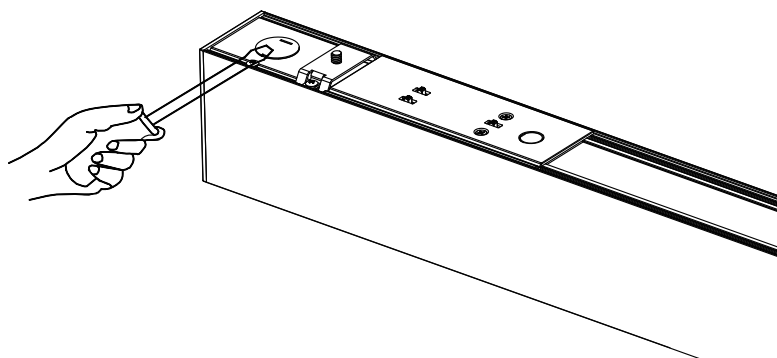
11. Adjusting the hanging rope length.



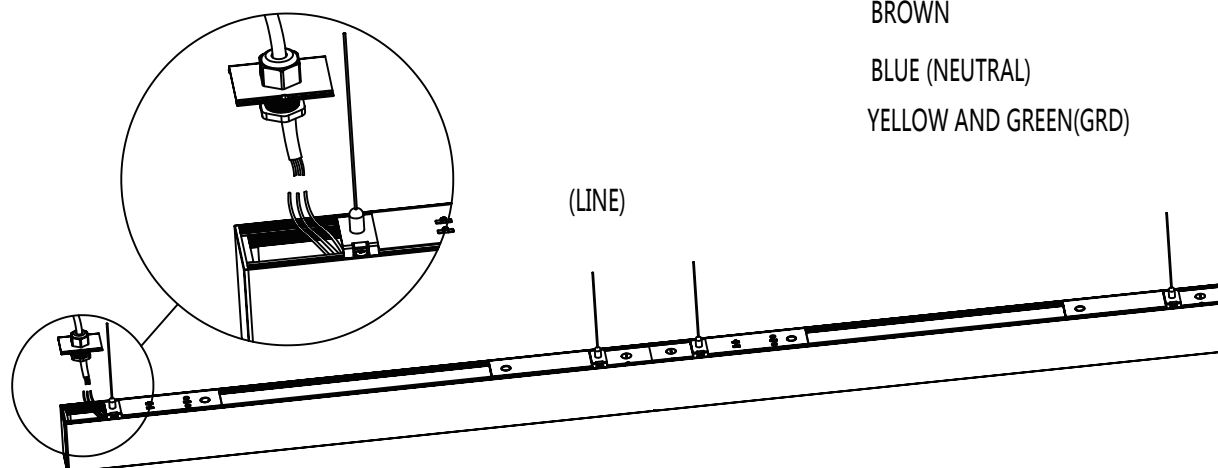
12. Use M5 square screw and M5 fixed head to fix LED strip light.



13. Screwed off the knockout hole at the end of lamp body.

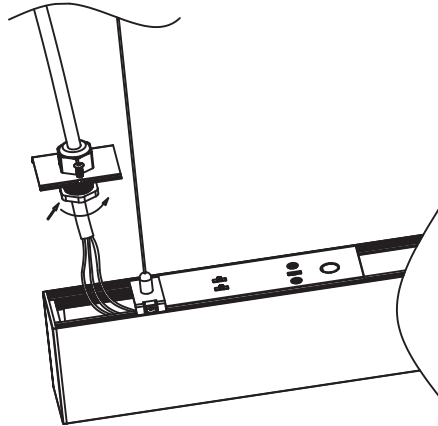


14. Turn off the power and Attach the corresponding wire.

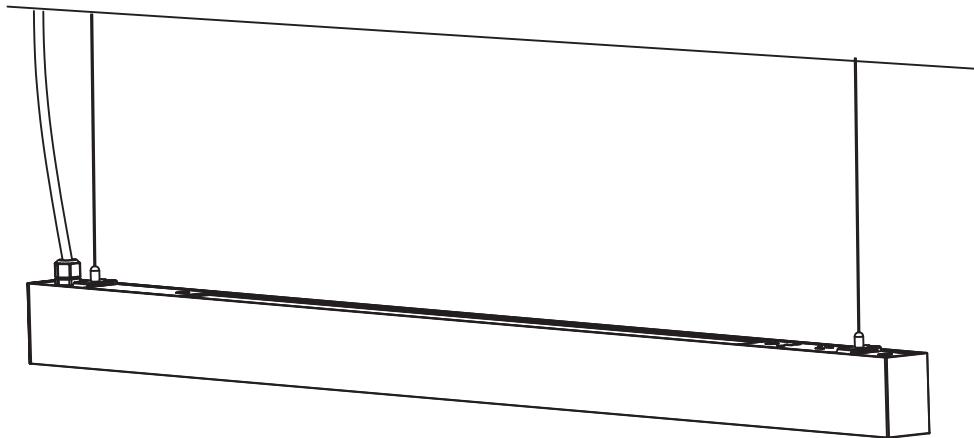




15. Tighten the waterproof connector and lock back the screws.



16. The installation is completed and energize the luminaire to verify operation.



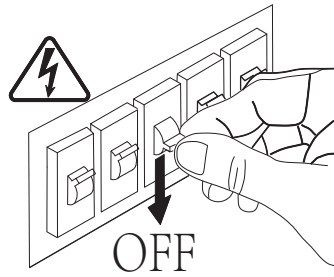
**C. Suspending T - mounted continuous row mounting(daisy connection)  
Parts List**

Continuous Row Mounting- 2/4/8FT(included)

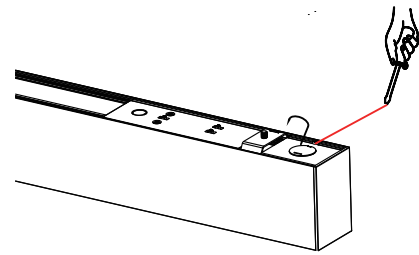
					<p>Parts:                  (1) T splice plate    (1) Waterproof joint                  (15) Wire Nuts                  (4) Anchors                  (10) Screws                  (6) Safety Rope</p>
--	--	--	--	--	--

## Installation instructions

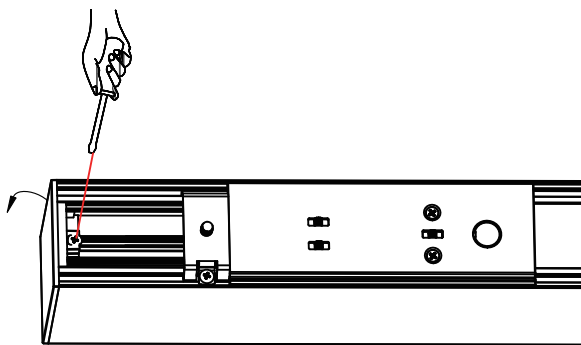
1. Turn off the power.



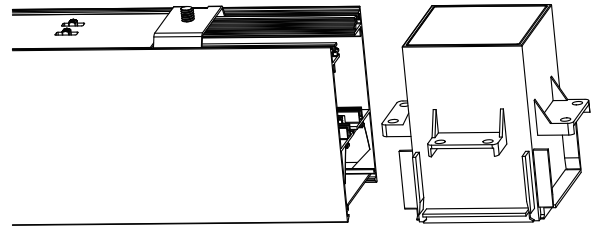
2. Unscrew the metal plates on both sides and remove it.



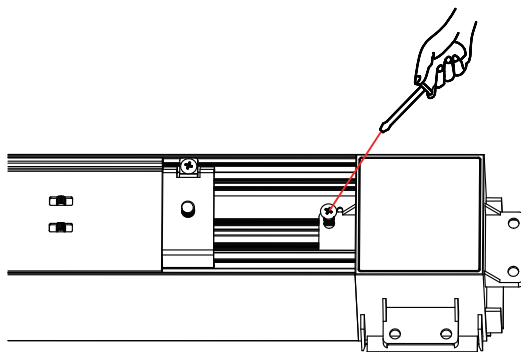
3. Unscrew the plastic end cover on both sides and remove it.



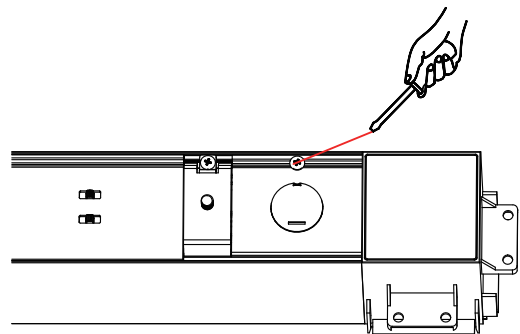
4. Install the T splicing plate.



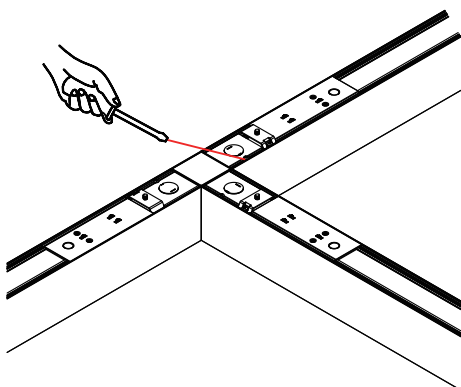
5. Screw T splice plate locking on top.



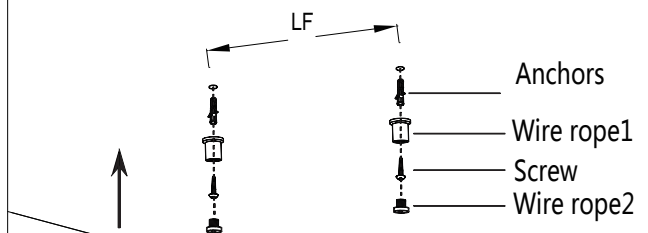
6. Screw the metal plates .



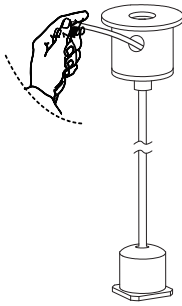
7. Secure the other ends of the T splice plate.



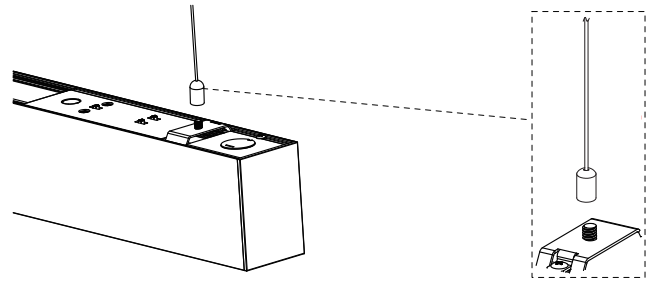
8. Fixing the hook and suspending the lamp.



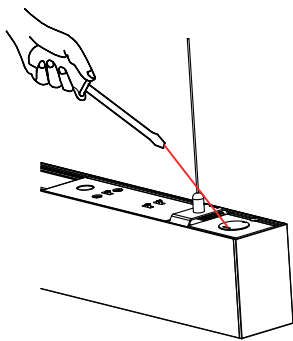
9. Adjusting the hanging rope length.



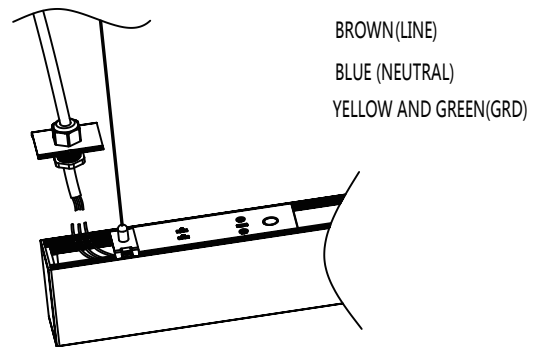
10. Use M5 square screw and M5 fixed head to fix LED strip light.



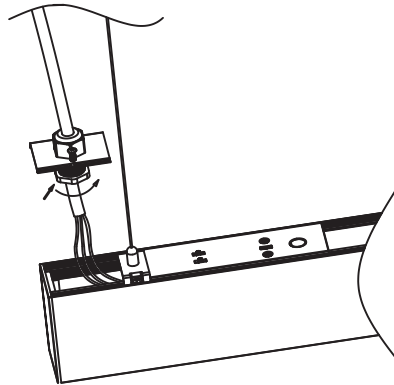
11. Screwed off the knockout hole at the end of lamp body.



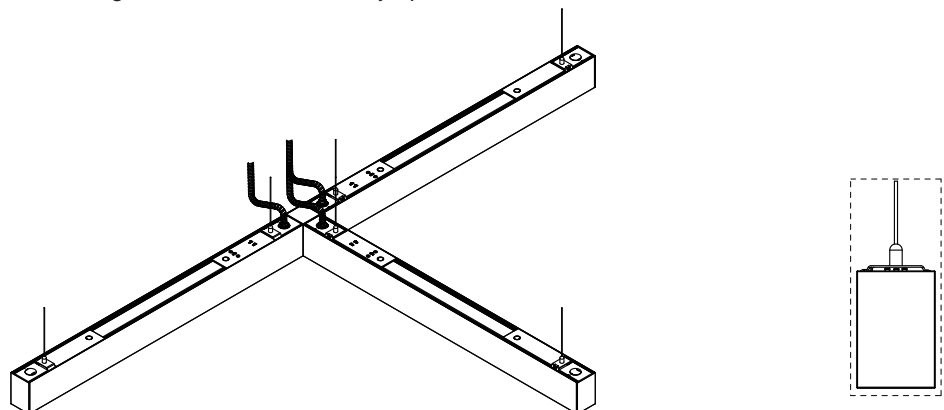
12. Turn off the power and Attach the corresponding wire.




13. Tighten the waterproof connector and lock back the screws.



14. The installation is completed and energize the luminaire to verify operation.

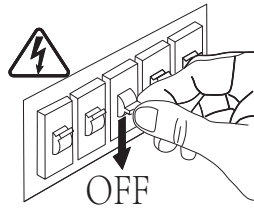


## D. Suspending X - mounted continuous row mounting(daisy connection) Parts List

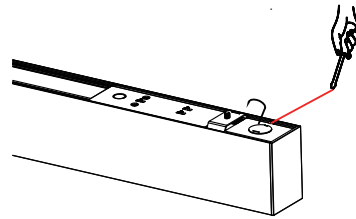
Continuous Row Mounting- 2/4/8FT(included)	
	<p>Parts:</p> <ul style="list-style-type: none"> <li>(1) X splice plate</li> <li>(1) Waterproof joint</li> <li>(15) Wire Nuts</li> <li>(6) Anchors</li> <li>(12) Screws</li> <li>(8) Safety Rope</li> </ul>

### Installation instructions

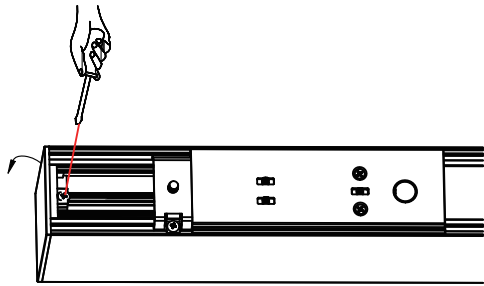
1. Turn off the power.



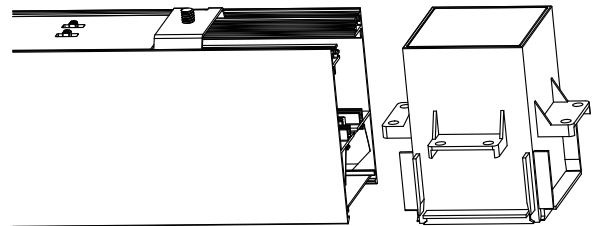
2. Unscrew the metal plates on both sides and remove it.



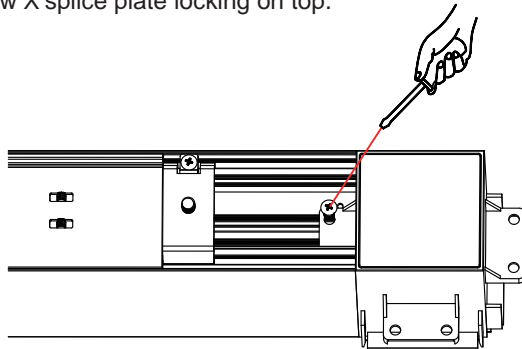
3. Unscrew the plastic end cover on both sides and remove it.



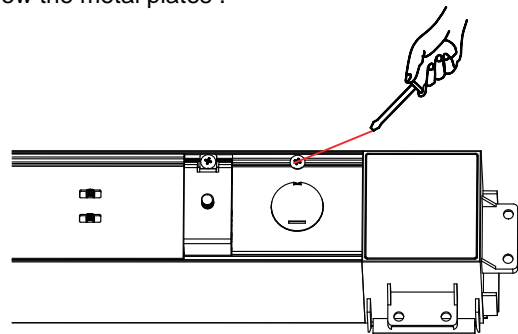
4. Install the X splicing plate.



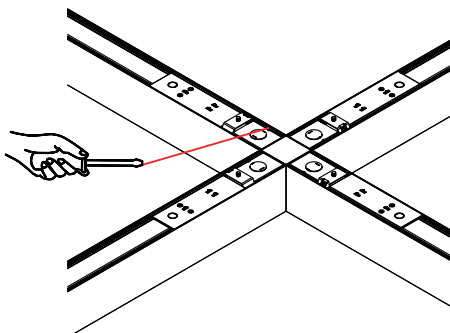
5. Screw X splice plate locking on top.



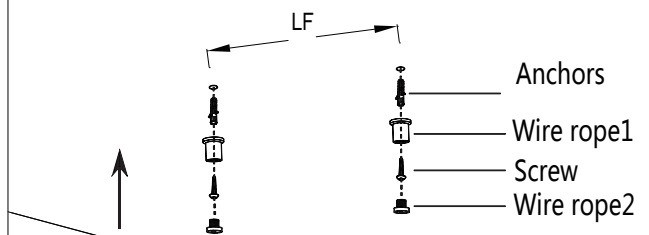
6. Screw the metal plates .



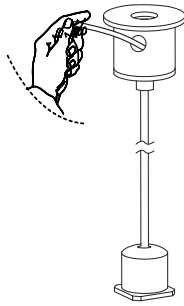
7. Secure the other ends of the X splice plate.



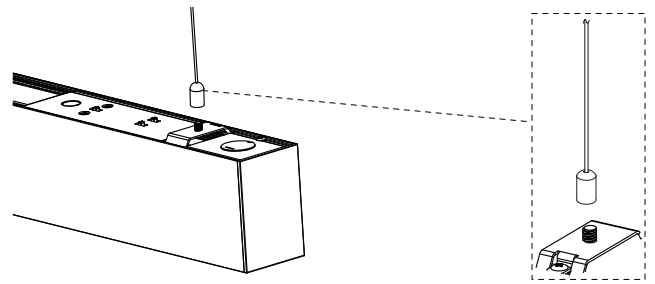
8. Fixing the hook and suspending the lamp.



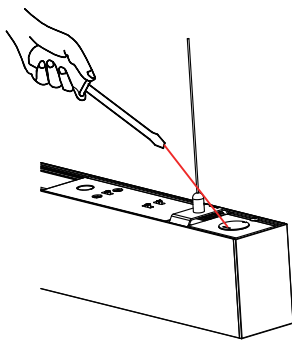
9. Adjusting the hanging rope length.



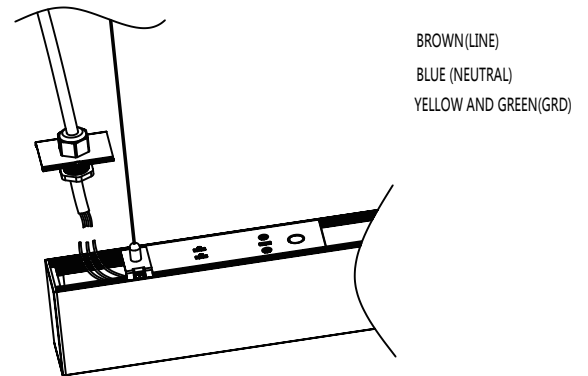
10. Use M5 square screw and M5 fixed head to fix LED strip light.



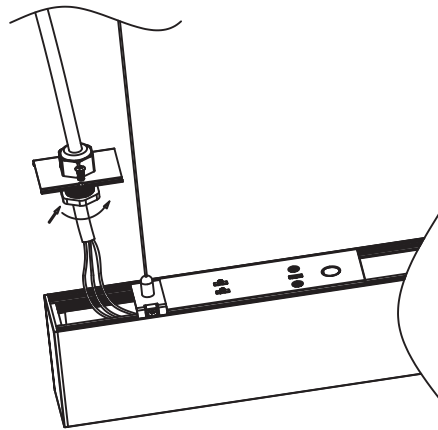
11. Screwed off the knockout hole at the end of lamp body.



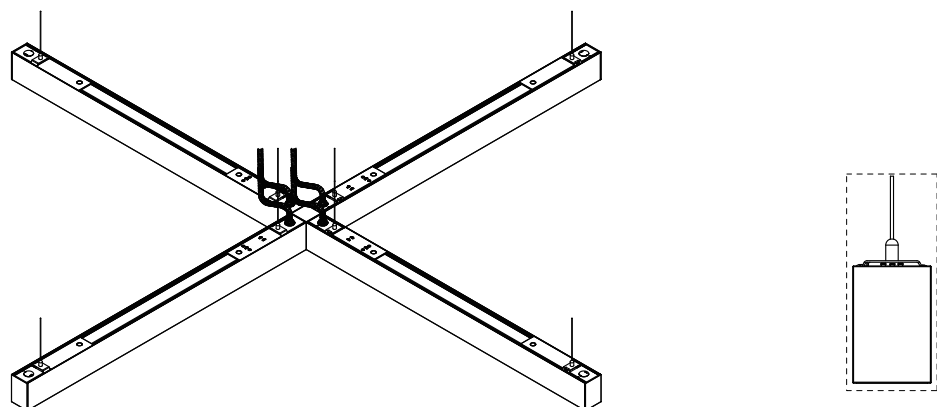
12. Turn off the power and Attach the corresponding wire.



13. Tighten the waterproof connector and lock back the screws.



14. The installation is completed and energize the luminaire to verify operation.








**Note**

- 1.The installation and maintenance must be completed by electricians or professionals.
- 2.Please cut off the power before installation and maintenance.
- 3.The thermally insulating material is not allowed to cover the fixture.
- 4.Please keep away from the corrosive substance, and keep the fixture dry and clean.
- 5.Working temperature: -4°F~113°F, storage temperature: -22°F~140°F.

**Important** 

Read this instruction carefully before installation. Keep it for further reference. Make electrical and grounded connections in accordance with the national electrical code and any applicable code. Always turn off the power supply before installation. This product must be installed in accordance with the applicable installation code by a qualified electrician who is familiar with the construction and operation of the product and the hazards involved.

**WARNING:**

-  Risk of fire or electric shock. Fixture installation requires knowledge of luminaires electrical systems. If not qualified, DO NOT attempt installation. Contact a qualified electrician.
-  Risk of fire or electric shock. Suitable for wet locations. Always turn off the power supply before installation.
-  Risk of fire or electric shock. Suitable for non-insulated surface and frame. DO NOT cover fixture with insulation liner or similar material.
-  DO NOT install fixture on unstable, loose or easily breakable surface.
-  DO NOT exert force on the surface of the fixture.

**Packing /weight** 

**Packing I**

Size	Inner box (L*W*H)	Outer box (L*W*H)	Qty/CTN (pcs)	N.W./pcs (lbs/kg)	G.W./CTN (lbs/kg)	Remark
2ft	27.4"*2.20"*3.62" 695*56*92mm	28.0"*9.64"*15.4" 710*245*302mm	12	2.98/1.35	38.1/17.3	With inner box
4ft	49.8"*2.20"*3.62" 1265*56*92mm	50.4"*9.64"*11.9" 1280*245*302mm	12	4.30/1.95	56.0/25.4	
8ft	97.8"*2.20"*3.62" 2485*56*92mm	98.4"*7.32"*8.07" 2500*186*205mm	6	8.16/3.70	58.4/26.5	