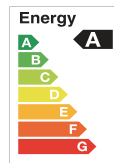
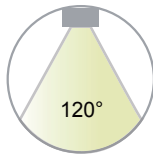
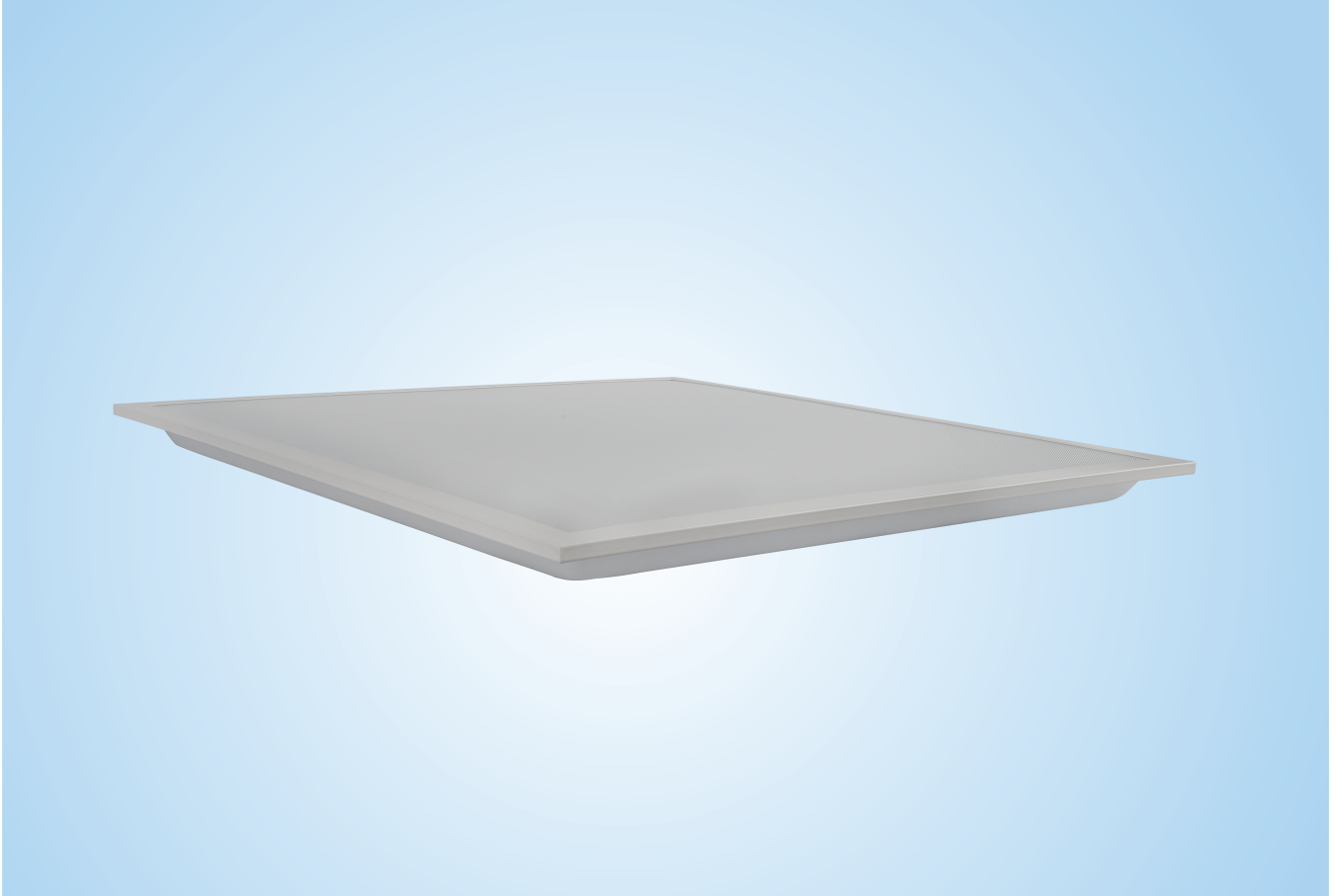


LED Panel Light

BPL Series





Product Features

- 1.The panel light is mainly used in commercial lighting places, such as office, factory, supermarket and so on.
- 2.The panel has uniform and soft luminance, high luminous efficacy, saving energy and protecting environment.
- 3.Using high quality driver, efficiency >86%, PF>0.9.
- 4.Dustproof: the distance between back cover and frame is nearly zero.

Specification

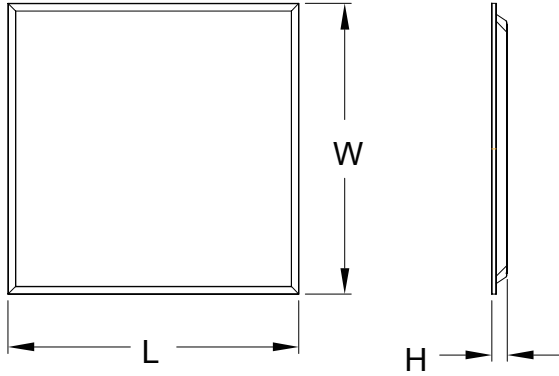
Part No.	BPL595*595-30W BPL1195*295-30W	BPL595*595-40W BPL1195*295-40W	BPL1195*595-50W	BPL1195*595-60W
Power	30W	40W	50W	60W
Working Current	800mA	1000 mA	1200 mA	1500 mA
Luminous Flux	3000 lm	4000 lm	5000 lm	6000 lm
Input Voltage	AC220-240V			
Output Voltage	DC24-42V			
Luminous Efficacy	100lm/W			
PF	PF>0.90			
CCT(K)	3000K -6500K			
Ra	>80			
Beam Angle	120°			
Operating Temperature	-20°-40°			
IP Grade	IP20			

Note: Above is the normal parameters, the following functions can be achieved according to customers requests.

- 1.1-10V dimming, DALI dimming, for all above specifications.
- 2.Kelvin Temperature is adjustable. Three CCTS can exist in one panel (3000K, 4000K, 5000K, 6000K, 6500K, any three you want)
- 3.UGR<19
- 4.Emergency panel light: emergency power is 4-20W, emergency time is 1.5-3h, for all the above specifications.

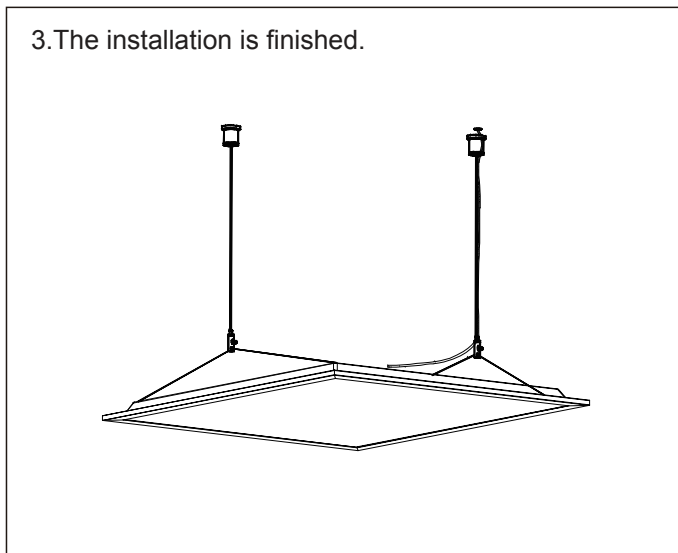
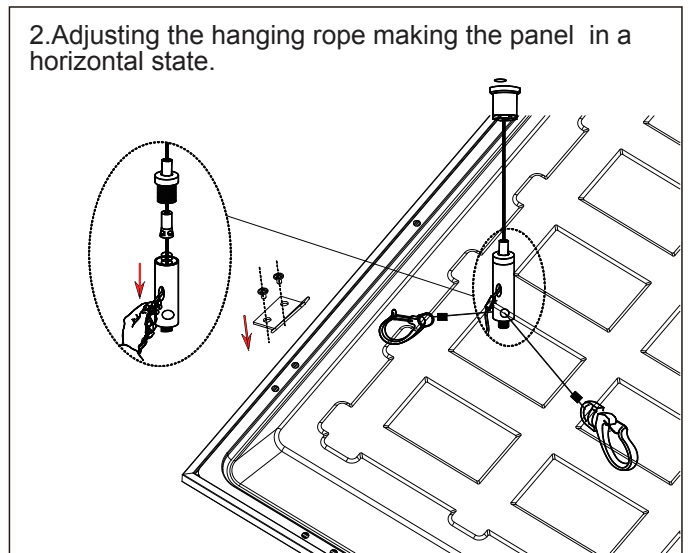
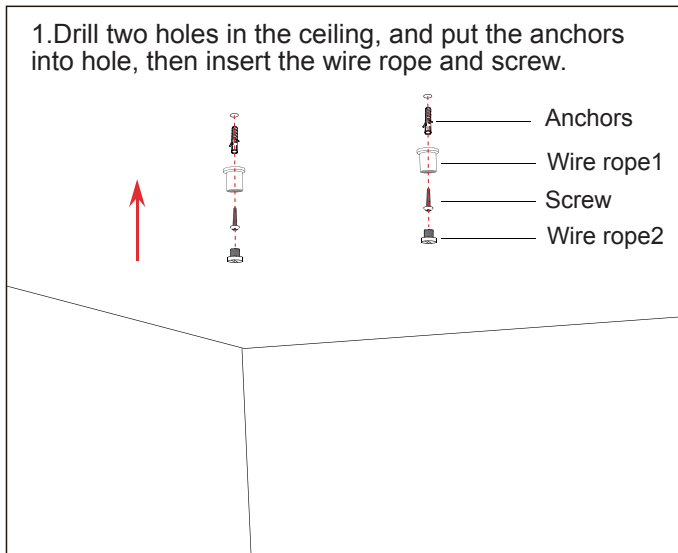


Product Dimension



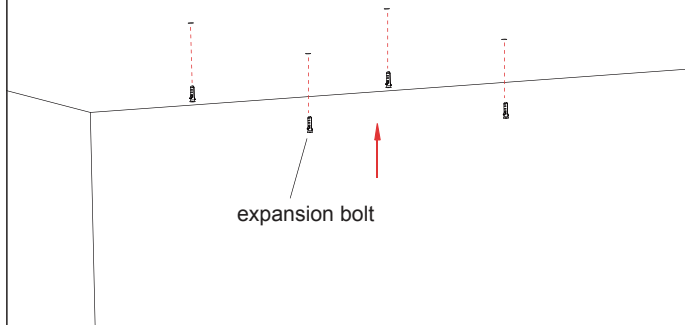
Part No.	Size(mm)		
	L	W	H
BPL595* 595	595	595	32
BPL1195* 295	1195	295	32
BPL1195* 595	1195	595	32

Suspension kit Installation

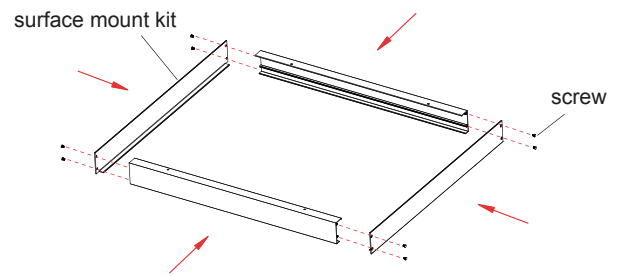


Surface Mounted Installation

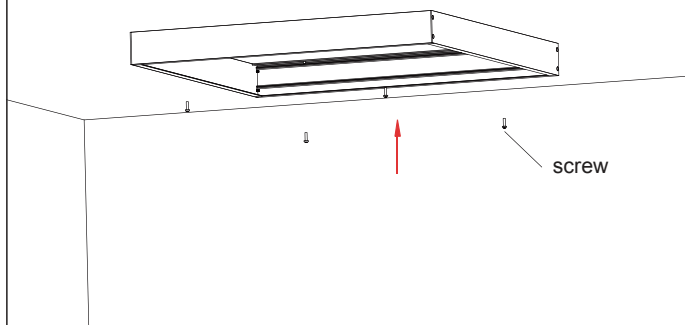
1. Make holes on the ceiling based on the position and size of the holes of surface mounted kits.



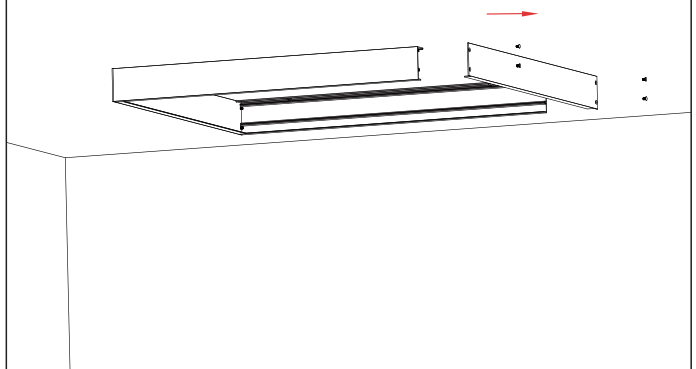
2. Connect the surface mounted kits by using screws.



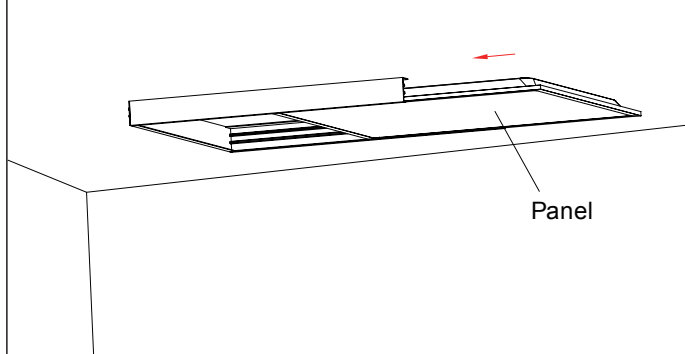
3. Fix the surface mounted frame on the ceiling by using screws.



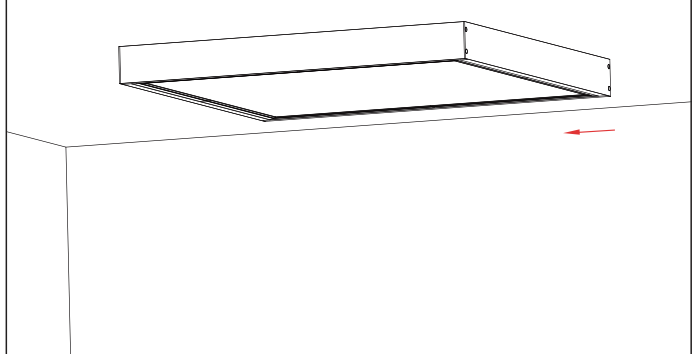
4. Take off one part of the surface mounted frame as illustrated.



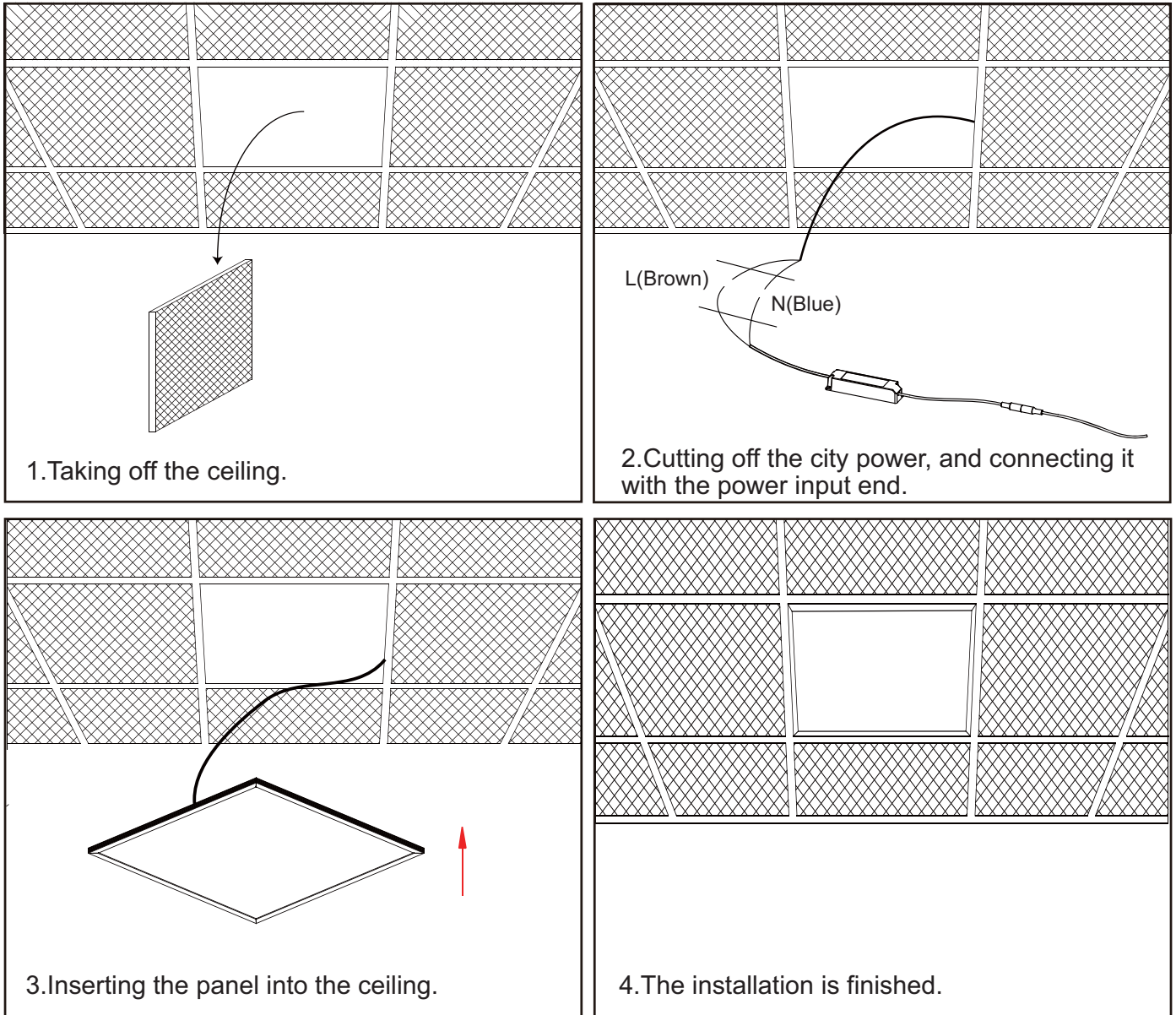
5. Insert the panel into the surface mounted frame.



6. Fix the surface mounted kits tightly.



Recessed Installation



Applications



office



office



home

Packing /weight

Part NO.	Outer Carton Size (L*W*H)	Qty/Carton (pcs)	Net weight (kg/lbs)	Gross weight (kg/lbs)
BPL595*595	24.80''*6.57''*25.79'' 630*167*655mm	4	5.6/12.4	6.9/15.2
BPL1195*295	48.43''*6.57''*13.98'' 1230*167*355mm	4	8.0/17.6	9.7/21.4
BPL1195*595	48.43''*6.57''*25.79'' 1230*167*655mm	4	14.8/32.6	17.1/37.6

Package Diagram



Attention

- This panel light is non-waterproof, please use in dry location only.
- Do not use with dimmers or totally enclosed luminaires.
- Please keep the panel light away from any corrosive substance.
When you clean it, please use dry cloth.
- Due to the panel lights are installed on high places,
please ensure personal safety when you clean and fix them.

Warning

- * Make sure the distances between live part and metal part of LED panel can satisfy reinforced or double insulation.
- * Luminaires not suitable for covering with thermally insulating material
- * This LED light is for indoor use only.
- * The luminaire should only be installed by a qualified electrician.
- * Before installation and maintenance of the light panel,
please disconnect the power to prevent electric shock.
- * Before installation and maintenance, LED panel light must be operated by professional and technical personnel, non-professionals do not to remove the light pane.
- * The light panel must be installed in an appropriate environment to work.
In harsh environments may shorten the life or even damage the light pane.
- * For type Y attachments: If the external flexible cable or cord of this luminaire is damaged,
it shall be exclusively replaced by the manufacturer or his service agent or a similar qualified person in order to avoid a hazard.