

EUP40T-1W24V-0(Product No.: 104200111201)

Product Feature

- Single-channel constant voltage output,24VDC
- Support Leading edge (Triac) and Trailing edge (ELV) Dimmer
- Dimming range from 40VAC to 240V AC
- High efficiency of 87%
- Dimming effect smooth, no flicker
- Short Circuit protection; Over load protection
- Suitable for indoor LED lighting application



Application



Wall Washer



LED Strip Light



LED Tube



Underground Light

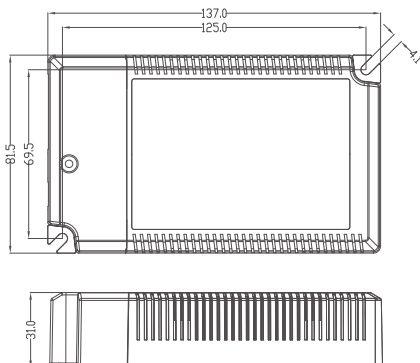


AR111 Venture Light

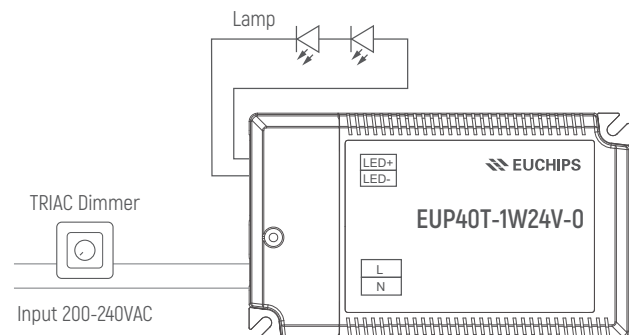
Technical Parameters

Model	EUP40T-1W24V-0	
Input	Efficiency	87%@230VAC, Full load
	Voltage	200VAC-240VAC
	Frequency	50/60Hz
	Current	0.5Amax@230VAC, Full load
	Dimming voltage range	40-240VAC
	Inrush Current	Cold start 45A(twidth=13.6us measured at 50% Ipeak)@230VAC
Output	Current/Voltage/Power	1.6A/24VDC/38.4W
	R & N (Max)	240mVp-p
	Channel	1
	Voltage Tolerance	±3%
Function	Dimming Mode	Triac ELV
Protection	Short Circuit	Close the output, restart to recover since fault condition is removed for 10s
	Over Current	Hiccup mode, recovers after fault condition is removed
Others	Working Temp.	-20°C~40°C
	Storage Temp.; Humidity	-40°C~85°C, 20-90%RH
	Tc	75°C
	Material	PC
	IP Rating	IP20
	Lifetime	30,000h@tc:75°C
	Warranty Condition	3 years
	Switch Cycle	>15,000 times
	Packing Size	Net weight: 210g±5%/PCS; 50PCS/Carton; 11kg±5%/Carton; Carton Size: 516*337*179cm(L*W*H)
	Dimension	137*82*31mm(L*W*H)

Dimension(mm)



Wiring Diagram



※ The contents of this manual are updated without prior notice. If the function of the product you are using is inconsistent with the instructions, the function of the product shall prevail. Please contact us if you have any questions.

EUP40T-1W24V-0 (产品代码: 104200111201)

产品特点

- 单通道恒压输出，最大输出电压为24VDC
- 支持前沿 (Triac) 和后沿(ELV)调光
- 调光电压范围 40VAC- 240VAC
- 效率高达87%
- 调光曲线平滑，无抖动
- 过载保护；短路保护
- 适用于室内LED灯具



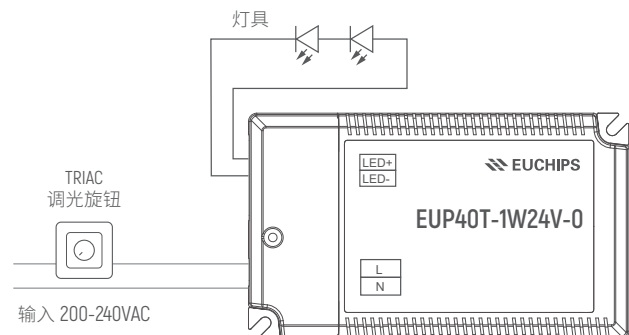
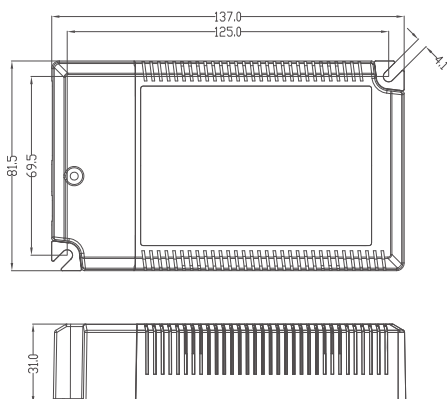
应用



技术参数

型号	EUP40T-1W24V-0	
输入	效率	87%@230VAC, 满载
	电压	200VAC-240VAC
	频率	50/60Hz
	电流	0.5Amax@230VAC, 满载
	调光电压范围	40-240VAC
	浪涌电流	冷启动 45A(在 50%Ipeak下测试 twidth=13.6us)@230VAC
输出	电流/电压/功率	1.6A/24VDC/38.4W
	纹波	240mVp-p
	通道	1
	电压精度	±3%
功能	调光方式	前沿 后沿切相调光
保护	短路	关断输出，去除故障10s后重新开机可恢复
	过流	打嗝，故障排除后自恢复
其它	工作温度	-20°C~40°C
	储存温度、湿度	-40°C~85°C, 20-90%RH
	tc	75°C
	材质	PC
	防水等级	IP20
	寿命	30,000小时@tc:75°C
	质保	3年
	开关周期	>15,000次
	包装重量	净重: 210g±5%/个; 50个/箱; 11kg±5%/箱; 外箱尺寸: 516*337*179mm(L*W*H)
尺寸	137*82*31mm(长*宽*高)	

产品尺寸



※ 本说明书内容如有更新，恕不另行通知。若您使用的产品功能与说明书不一致时，请以产品为准。如有疑问请与我们联系。