

LED COMFO® Flood Datasheet



PRELIMINARY

LED COMFO® Flood is the new generation of lighting solution that provides wide area illumination in outdoor application. The fixtures deliver high quality light based on the die-casting body with special details design. The full range of power from 30W to 110W can meet most of the application requirements and also provide excellent lighting performance.

Benefits

Rigidity & safety

- Die-casting body provides good look and feel with high quality
- Improved safety protection level on stainless steel clips of four corners
- Optimized thermal management based on PCB reinforced design of the lighting source
- 30,000hrs lifetime
- IP65 rating

Comfort lighting experience

- Optimized optical design brings high uniformity without ripple on the illumination boundary
- Imported LED provides consistent color temperature
- High efficacy 90 lm/W
- CRI80 for outdoor application
- Wide beam angle 110°

Improved product texture with special details design

- Tempered glass cover design
- Precise illumination angle control with angle readable clips

Full range for all applications

- Full power range 30W/50W/70W/110W
- CCT 3000K/4000K/5700K for choices
- Clips adjustable range from +60° to -160°

Applications

- Warehouses
- Workshops
- Public areas
- Outdoor billboards

LED COMFO® Flood

Technical Data

Optical Specifications

		30W	50W	70W	110W
Luminous Flux	3000K	2550 lm	4250 lm	5950 lm	9350 lm
	4000K	2700 lm	4500 lm	6300 lm	9900 lm
	5700K	2745 lm	4575 lm	6405 lm	10065 lm
Efficacy	3000K	85 lm/W			
	4000K	90 lm/W			
	5700K	91.5 lm/W			
CCT		3000K, 4000K, 5700K			
CRI		80			
SDCM		5			
Beam Angle		110°			

Electrical and Mechanical Specifications

Input Voltage	220-240V AC 50/60Hz			
Power Consumption	30W	50W	70W	110W
Power Factor	>0.95			
Surge Protection	Line-to-line 2KV, line-to-ground 4KV			
Dimensions	Length	247mm	364mm	
	Width	185mm	273mm	
	Height	41mm	56mm	
Weight	1.05kg		2.33kg	
Cover Lens	Tempered glass			
Housing	Die-casting aluminium housing			

System Specifications

Power	AC line
Dimmable	ON/OFF
Mounting Type	Bracket mounting
Adjustment Option	+60° to -160°
Operating Temperature	-20°C to +40°C
Storage Temperature	-40°C to +80°C
Environment	Outdoor (IP65, IK07)
Lumen Maintenance	L70 @25°C - 30,000hrs
Safety Approval	Electrical Protection Class I, CB, TISI, Photobiological safety, RoHS

Due to the special conditions of manufacturing process of LED, the typical data of technical parameters can only reflect statistical figures and do not necessarily correspond to the actual parameters of each single product which could differ from typical data.

Exceeding maximum ratings for operation voltage will cause hazardous overload and will likely destroy the LED module.

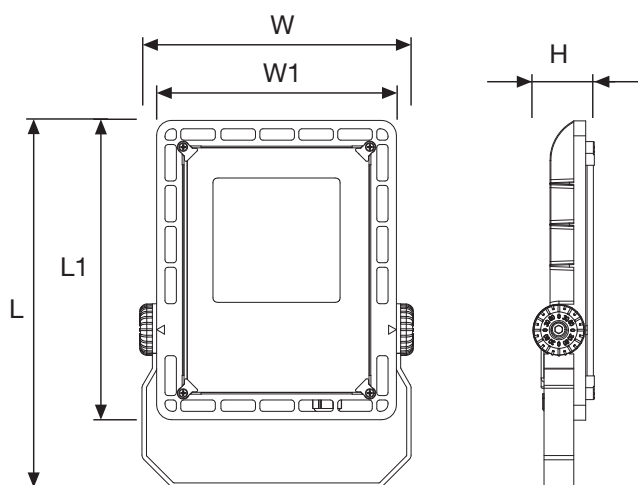
Exceeding maximum ratings for operation and storage temperature will reduce expected life time or destroy the LED module.

12/17 V0.2 · Specifications are subject to change without notice. Errors and omission excepted, always make sure to use the most recent release.

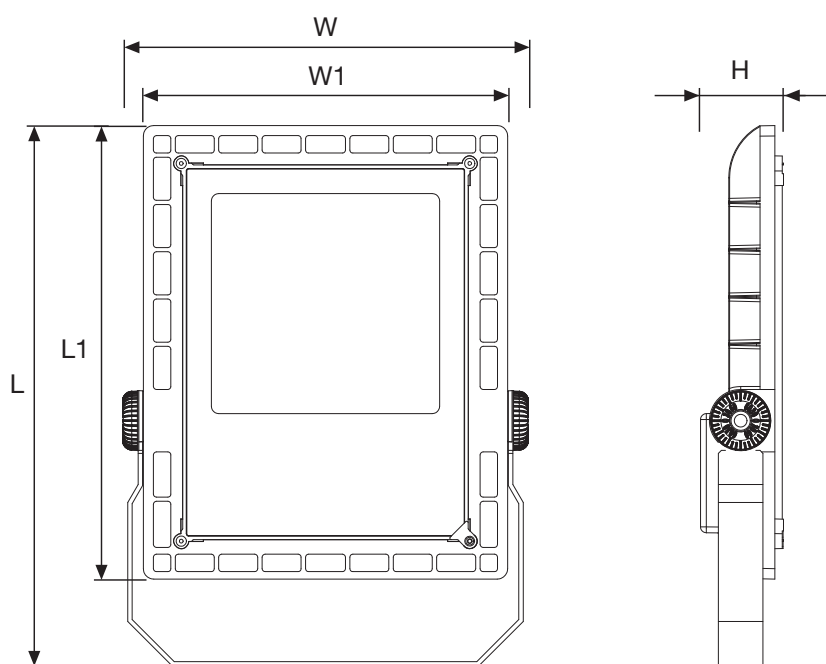
LED COMFO® Flood

Dimensions

30W/50W



70W/110W



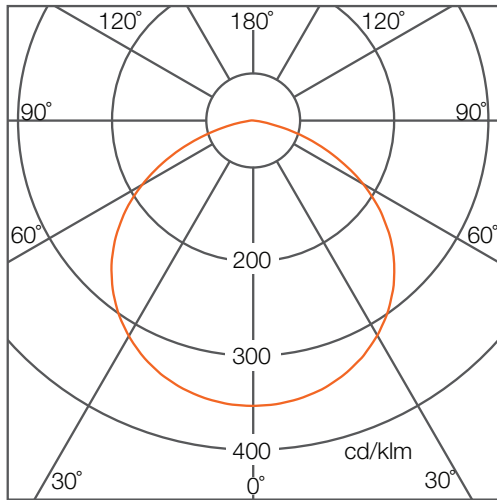
Dimensions

	30W/50W	70W/110W
L	247mm	364mm
L1	201mm	305mm
W	185mm	273mm
W1	161mm	245mm
H	41mm	56mm

LED COMFO® Flood

Photometrics

Light Distribution Curve (3000K, 4000K, 5700K)



Illuminance at a distance (3000K, 4000K, 5700K)

	Center Beam Lux/klm	Beam Width
0.5m	1402	1.55m
1m	350	3.10m
1.5m	156	4.66m
2m	88	6.21m
2.5m	56	7.76m
3m	39	9.31m

● Horiz. Spread: 114.4°
For fc divide by 10.7

For feet multiply by 3.28

Due to the manufacturing processes of LED, the polar candela distribution and distance luminaries only reflect statistical figures and do not necessarily correspond to the actual parameters of individual product that may differ from the typical values.

12/17 V0.2 · Specifications are subject to change without notice. Errors and omission excepted, always make sure to use the most recent release.