

GAS GROUP IIB + H₂

EJB.. Series - Copper-free aluminium



EJB.. series enclosures offers Ex d IIB or IIB+H2 mode of protection. They are suitable for hazardous areas of industrial plants for indoor and outdoor applications

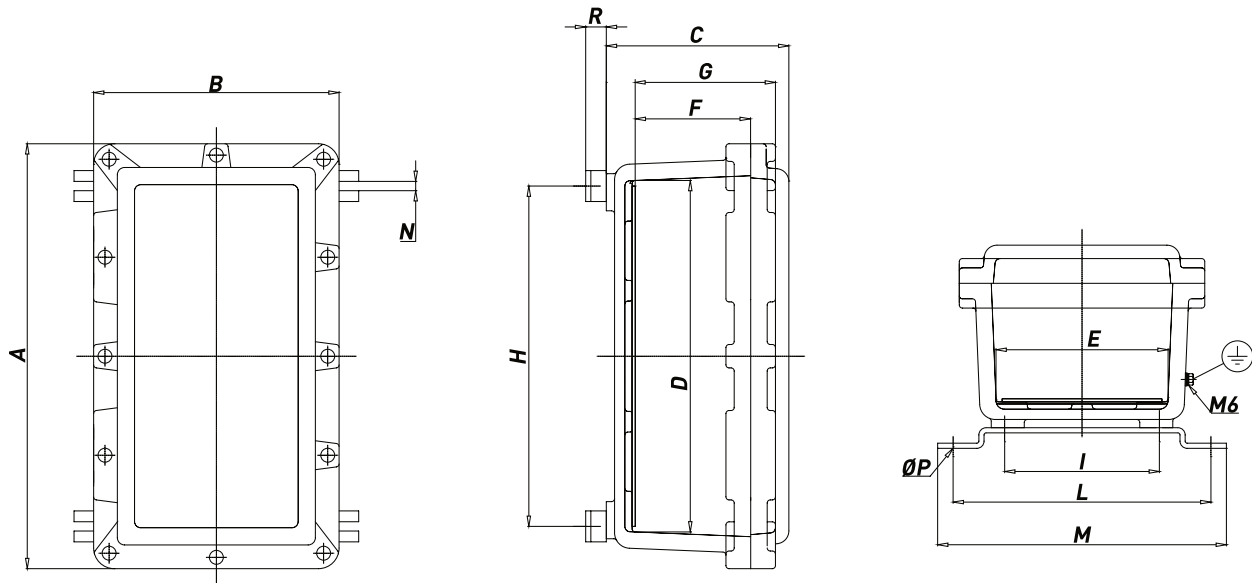
They can be equipped with following components:

- Push buttons and mechanical operators PL.. Series;
- Rotating switches PSRC Series;
- Signalling lamps PL.. Series;
- Potentiometers;
- Rotating handles SRC-1 or SRC-10;
- Measurement instruments;
- Electric and electronic equipment;
- Windows made of tempered glass.

TECHNICAL FEATURES

Material	Copper-free aluminium	
IP rating	IP65, IP66	
Ambient temp. range	-60 °C up to +60 °C (without window)/-50°C up to +60°C (with window)	
Approvals	<u>Full Conformity Certificate:</u> ATEX: INERIS 00ATEX0021X IECEx: INE 10.0015X EAC: RU C-IT.BH02.B.00588/20	<u>Component Certificate:</u> ATEX: INERIS 21 ATEX 9004U IECEx: INE 21.0006U EAC: RU C-IT.BH02.B.00588/20
Marking	<u>Full Conformity Certificate:</u> II 2 G Ex db IIB T[*] Gb or II 2 G Ex db IIB+H2 T[*] Gb or II 2 G Ex db ia/ib IIB T[*] Gb or II 2 G Ex db ia/ib IIB+H2 T[*] Gb and/or II 2 D Ex tb IIIC T[*] Db *T6/T85°C, T5/T100°C, T4/T135°C, T3/T200°C II 2(1) G Ex db [ia Ga] IIB T6 Gb or II 2(1) G Ex db [ia Ga] IIB+H2 T6 Gb and/or II 2(1) D Ex tb [ia Da] IIIC T85°C Db II 2(2) G Ex db [ib] IIB T6 Gb or II 2(2) G Ex db [ib] IIB+H2 T6 Gb and/or II 2(2) D Ex tb [ib] IIIC T85°C Db II 2(1) G Ex db ia/ib [ia Ga] IIB T6 Gb or II 2(1) G Ex db ia/ib [ia Ga] IIB+H2 T6 Gb and/or II 2(1) D Ex tb [ia Da] IIIC T85°C Db II 2(2) G Ex db ia/ib [ib] IIB T6 Gb or II 2(2) G Ex db ia/ib [ib] IIB+H2 T6 Gb and/or II 2(2) D Ex tb [ib] IIIC T85°C Db I M2 Ex db T[**] I Mb I M2(M1) Ex db [ia Ma] T[**] I Mb I M2(M2) Ex db [ib] T[**] I Mb **T150°C or T450°C	<u>Component Certificate:</u> II 2G Ex db IIB+H2 Gb or I M2 Ex db I Mb and/or II 2D Ex tb IIIC Db IP65 or 66
Surface treatment	Polyurethane painting cycle - Blue colour RAL5014 (other colour available upon request)	
Entries	Metric pitch 1.5, ANSI B1.20.1 NPT	
Included accessories	Galvanized steel internal mounting plate, galvanized steel mounting brackets, AISI316 stainless steel external screws, hinges, door handle, acrylic laminate certificate label	
Optional accessories	A4-80 stainless steel mounting brackets, AISI316 stainless steel certificate label, Drain/breather valve, internal anticondensate painting.	

Dimensions EJB Aluminium



EJB.. Series - Standard versions are supplied painted and complete with: mounting plate, mounting brackets, hinges, screws and handle.

TYPE	DIMENSIONS [MM]														WEIGHT [kg]	COVER ENTRIES	MOUNTING PLATE(S)
	A	B	C	D	E	F	G	H	I	L	M	N	ØP	R			
EJB-2	298	238	163	230	168	116	135	205	140	250	280	9	M6	20	10.07	12	160 X 220
EJB-3	410	236	167	340	167	115	136	330	150	250	280	9	M8	20	13.40	18	155 X 330
EJB-3A	410	236	191	340	167	115	158	330	150	250	280	9	M8	20	13.50	9	155 X 330
EJB-4	415	300	165	335	220	116	132	300	190	300	320	9	M8	20	17.50	20	210 X 325
EJB-5	477	297	221	392	209	157	182	350	185	300	320	9	M8	20	20.50	22	200 X 385
EJB-6	478	404	226	387	310	160	186	355	280	390	420	9	M8	20	33.00	28	300 X 380
EJB-8	630	361	246	530	262	173,5	204	495	225	340	370	9	M8	20	36.05	36	250 X 520
EJB-9	532	465	252	426	363	177	204	410	340	440	470	12	M10	20	40.00	34	350 X 420
EJB-10	754	366	294	630	250	217	234	580	205	330	360	12	M10	20	48.50	34	240 X 620
EJB-11	592	501	257	483	394	174	204	445	360	480	510	12	M10	20	53.30	44	380 X 470
EJB-12	801	450	300	690	335	206,5	243	640	285	425	450	14	M12	20	73.00	54	325 X 675
EJB-13	830	604	298	723	500	160	236	630	405	580	620	14	M12	20	106.00	76	463 X 683
EJB-13A	830	604	404	723	500	265	322	630	405	580	620	14	M12	20	124.00	76	463 X 683
EJB-14	970	770	478	795	595	343	404	765	565	710	770	16	M14	25	245.00	0	795x595 745x545
EJB-14*	970	770	461	795	595	343	367	765	565	710	770	16	M14	25	310.00	57	795x595 745x545

**Copper-free aluminium body and galvanized steel cover

Standard painting cycle: C4 - Colour: Blue RAL5014. For a different colour, ask to our Sales Dept.

Hinges are mounted on long left side of the enclosure. For a different configuration, ask to our Sales Dept.

For complete junction boxes, ask to our Sales Dept.

Note: For installations in either Zone 1 or volume up to 2dm³, barrier glands are required. Please refer to EN-60079-14.

Maximum number of entries on sides A/B

TYPE	EJB-2	EJB-3 EJB-3A	EJB-4	EJB-5	EJB-6	EJB-8	EJB-9	EJB-10	EJB-11	EJB-12	EJB-13	EJB-13A	EJB-14*
M20 - 1/2"	9/7	14/7	14/9	27/13	24/18	35/16	27/24	57/21	32/27	61/28	48/32	81/54	111/110
M25 - 3/4"	9/5	7/3	7/4	14/7	14/10	29/13	24/18	46/18	21/27	40/18	27/18	54/36	71/70
M32 - 1"	4/3	6/3	6/4	12/5	12/9	18/8	12/10	29/10	14/12	32/16	23/16	35/24	43/43
M50 - 1 1/2"	3/2	4/2	4/3	5/2	5/4	7/3	9/9	14/5	6/5	16/7	9/6	18/10	17/17
M63 - 2"	2/1	3/1	3/2	4/2	4/3	6/2	4/4	12/4	5/4	12/5	8/5	14/9	11/11
M75 - 2 1/2"	-	-	-	3/1	3/2	4/2	3/3	5/2	4/3	6/3	6/4	6/4	7/7
M80 - 3"	-	-	-	2/1	2/2	3/1	2/2	4/1	3/2	4/2	5/3	5/3	6/6
M90 - 3 1/2"	-	-	-	2/1	2/2	3/1	2/2	4/1	3/2	4/2	5/3	5/3	6/5
M100 - 4"	-	-	-	2/1	2/2	2/1	2/2	4/1	3/2	4/2	4/3	5/3	5/4