



it's cool to be safe
explosion proof solution for the global market



Supermec

explosion proof electrical equipment





EJB A

EJB A series enclosures are normally used in the chemical and petrochemical plants, off-shore platforms, refineries and any other industry where hazardous atmospheres (gas and combustible dust) are potentially present.

The EJB A range has been designed to meet the main requirements of power distribution, monitoring and signaling, and other electrical functions inside the hazardous area of the plant.



Function

The EJB A series can be used for the following main applications:

- control station and instrument housing;
- motor starter unit;
- lighting control panel;
- electronic grounding system;
- terminal and bus-bars box;

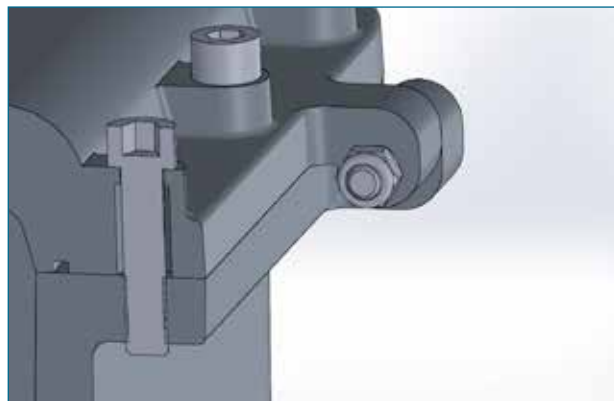
and fitted with other electrical and or electronic equipment as per client specifications.

Construction

The materials used to manufacture the EJB A series have been studied to grant the maximum protection against the highly corrosive agents present in these industries:

- body and cover casted of copper-free (lower 0.1%) aluminium alloy;
- external epoxy powder coating RAL 7001;
- internal anticondensation coating (upon request);
- anti-loosening bolts and earthing screws of stainless steel AISI 316;
- gasket on cover of silicone;
- window of thermoresistant glass sealed with auto-leveling silicone;

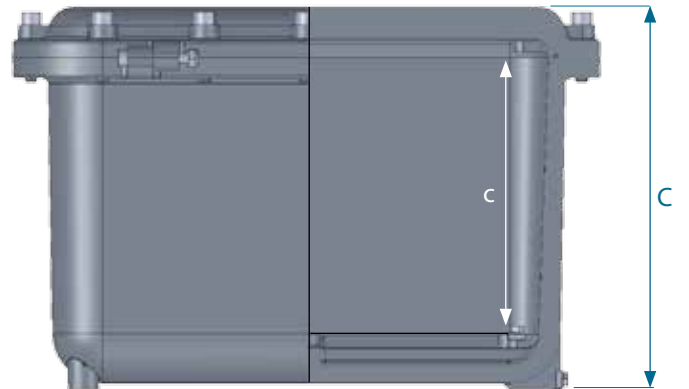
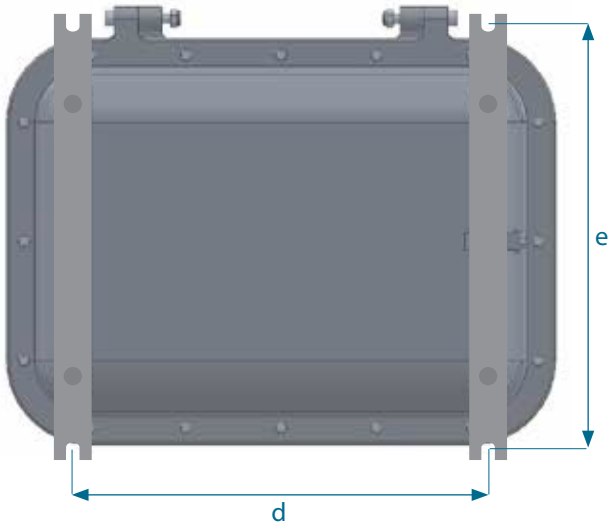
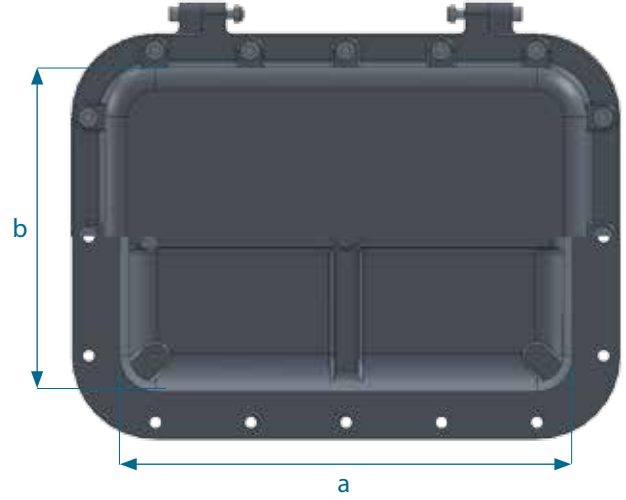
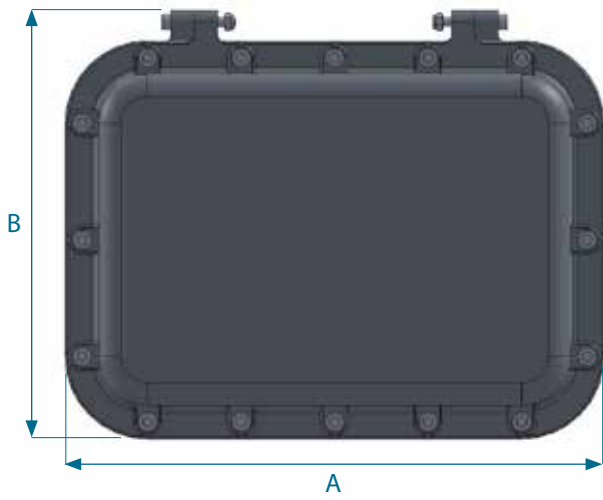
The EJB AS series, is a special execution with aluminium body and cover in stainless steel limited to sizes EJB 55 and EJB 7. The cover in stainless steel allows the installation of large window with max visible size of mm. 400 x 300.



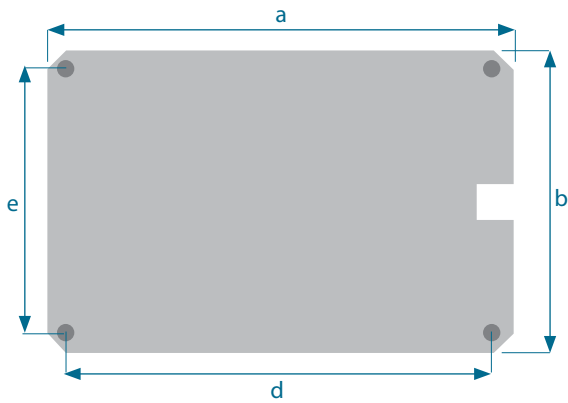
Supermec always pays special attention to on-site installation issues. Introducing new EJB A series, we designed a special anti-loosening bolt to make the job easier for maintenance staff.

Protection

certificate number:	IECEX IMQ 14.0010X	IMQ 11 ATEX 031 X	TC RU C-IT.AA87.B.00509
marking:	⊕ II 2GD Ex db [ia Ga]/[ib Gb] IIB+H2 T4/T5/T6 Gb Ex tb IIIC T135/T100/T85°C Db		
ambient temperature:	-60°C +60°C		
degree of protection:	IP66		
conformity:	Directive ATEX 2014/34/EU	TP TC 012/2011	
standards:	IEC-EN60079-0	IEC-EN60079-1	IEC-EN60079-11 IEC-EN60079-31
	ГОСТ 31610.0	ГОСТ IEC 60079-1	ГОСТ 31610.11 ГОСТ Р МЭК 60079-31
category:	suitable for Zone 1 - 21 (gas) and Zone 2 - 22 (dust)		



code	overall dimensions			internal dimensions			fixing dimensions		weight	
	A	B	C	a	b	c	d	e	screw	kg
EJB 1 A	300	230	220	220	150	165	160	230	M10	12
EJB 3 A	390	300	280	310	220	220	250	300	M10	22
EJB 4 A	460	340	300	380	260	235	320	340	M10	30
EJB 45 A	540	380	300	460	300	235	400	380	M10	50
EJB 5 A	640	460	360	560	380	290	500	460	M10	62
EJB 55 A	720	540	390	620	440	315	540	540	M12	87
EJB 7 A	1000	700	495	880	580	365	800	700	M12	195

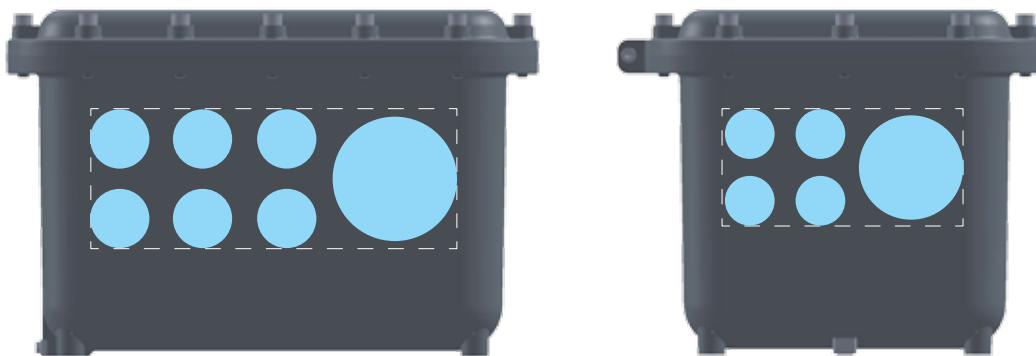


code	mounting plate		fixing dimension			
	a	b	d	e	holes	screw
EJB 1 A	180	110	160	90	4	M6
EJB 3 A	270	180	250	160	4	M6
EJB 4 A	340	220	320	200	4	M6
EJB 45 A	420	260	400	240	4	M6
EJB 5 A	520	340	500	320	4	M6
EJB 55 A	560	380	540	360	4	M6
EJB 7 A	820	520	800	500	6	M6

maximum size of windows on cover					
code	qty	square		circular	
		A	B	qty	D
EJB 1 A	1	140	70	1	80
EJB 3 A	1	190	140	1	80
EJB 4 A	1	290	190	2	80
EJB 45 A	1	290	190	1	130
EJB 5 A	1	290	190	2	130
EJB 55 A	2	290	190	2	130
EJB 7 A	2	290	190	2	130
EJB 55 AS	1	400	300	2	130
EJB 7 AS	2	400	300	2	130



Maximum number of hub

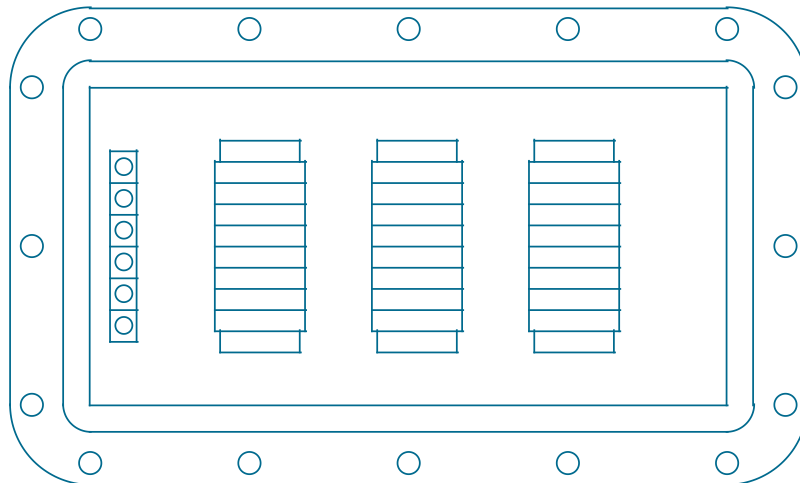
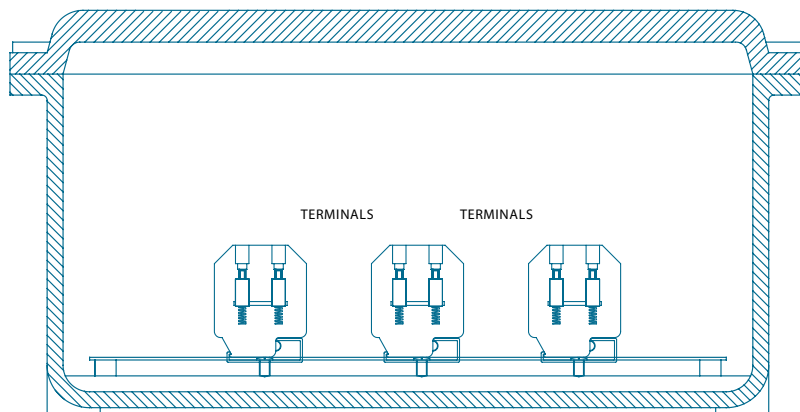


	maximum number of hubs on long side									maximum number of hubs on short side								
	M20	M25	M32	M40	M50	M63	M75	M90		M20	M25	M32	M40	M50	M63	M75	M90	
METRIC	M20	M25	M32	M40	M50	M63	M75	M90		M20	M25	M32	M40	M50	M63	M75	M90	
NPT	1/2"	3/4"	1"	1 1/4"	1 1/2"	2"	2 1/2"	3"	4"	1/2"	3/4"	1"	1 1/4"	1 1/2"	2"	2 1/2"	3"	4"
EJB 1 A	6	6	6	4	2	2	1	1	-	4	4	4	2	1	1	1	1	-
EJB 3 A	15	15	12	11	6	6	3	2	2	12	9	9	6	4	4	2	1	1
EJB 4 A	28	24	15	15	11	11	6	3	3	16	12	10	9	6	5	4	2	1
EJB 45 A	32	28	21	18	14	12	8	5	3	20	18	14	12	8	5	5	2	2
EJB 5 A	50	36	32	27	18	15	10	7	5	35	24	20	15	12	8	6	5	3
EJB 55 A	60	50	36	32	21	17	14	8	6	40	35	24	21	15	12	8	6	4
EJB 7 A	96	84	65	48	40	32	24	17	10	60	54	40	28	24	17	15	11	6



code	maximum number of terminals size in mm ²									
	2.5	4	6	10	16	35	70	95	150	240
EJB 1 A	54	23	18	15	12	9	7	-	-	-
EJB 3 A	129	108	90	72	40	15	11	7	-	-
EJB 4 A	168	141	114	93	75	38	15	9	7	5
EJB 45 A	213	180	147	117	99	70	19	12	9	8
EJB 5 A	267	225	183	147	120	60	23	15	11	9
EJB 55 A	384	324	264	212	176	99	25	16	12	10
EJB 7 A	715	605	490	395	325	196	76	48	36	30

examples of terminals dispositions



maximum number of operators and windows on cover

code	push button pilot light units	MCB 60 Ah - 3 P
EJB 1 A	6	2
EJB 3 A	15	4
EJB 4 A	24	9
EJB 45 A	35	12
EJB 5 A	54	16
EJB 55 A	70	20
EJB 7 A	84	24



examples of electrical installations

