

LED1880-M

LED EMERGENCY CONVERSION KIT

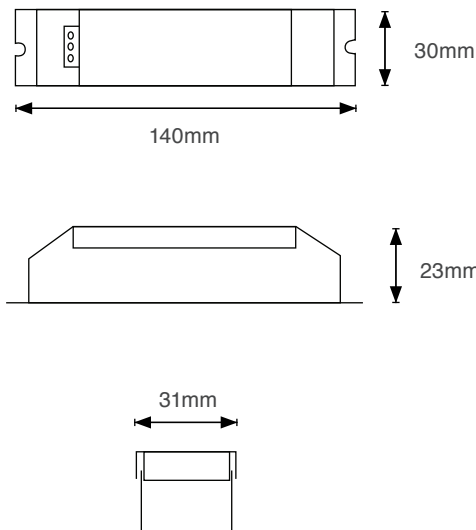
Features and Application

- Self-contained emergency conversion kit designed to strike various types of LED lamps.
- High efficiency conversion unit providing long backup duration.
- High compatibility with wide range of LED lamps.



Technical Data

Mode of Operation	Maintained
Lamp Compatibility	LED lamps 10Vdc - 110Vdc
Operating Temperature	ta 0°C ~ 50°C
Mains Supply	230V AC 50/60Hz, Protection against polarity reversal
Power Consumption	< 2W
Battery	High temperature Ni-Cd battery
Charger	Fully automatic
Charging Monitor	Green LED
Recharge Period	24 hrs
Testing Facility	Test-switch for independent testing
Emergency Duration	3 hours
Safety Feature	Low-voltage cut-off to prevent over-discharge of battery
Construction	Electro-galvanised steel casing with epoxy powder coating
Weight (Nett/Gross)	Module - 0.1 kg / 0.2 kg Battery - 0.21 kg
Compliance	SS IEC 61347-2-7:2011 SS IEC 61347-2-13:2014/AMD1:2016 SS IEC 62384:2006/AMD1:2009 SS 563-2:2010/A1:2013
Warranty	1 year



Ordering Information

MODEL	LAMP COMPATIBILITY
LED1880-M	LED lamps 10Vdc - 110Vdc