



Technical parameter

LED Chip Brand: **CREE**
 Input Voltage: 100...277V AC 50/60Hz
 Light Efficiency: >100lm/W
 Color Temperature: 3000K/4500K/6000K
 Operating Temperature: -40°C ~ +60°C

Power Factor: >0.98
 Color Rendering Index(Ra): >72
 Driver Brand: **MOSO** **INVENTRONICS**
 IP Grade: IP66
 Material: Aluminum alloy

Ambient Temperature	Ex Marking		
	GB	IECEX	ATEX
-40°C ~ +40°C	<200W : Ex nR IIC T6 Gc Ex tb IIIC T80°C Db	<200W : Ex nR IIC T6 Gc Ex tb IIIC T80°C Db	<200W : Ⓜ II 2G Ex nR IIC T6 Gc Ⓜ II 2D Ex tb IIIC T80°C Db
	<300W : Ex nR IIC T5 Gc Ex tb IIIC T95°C Db	<300W : Ex nR IIC T5 Gc Ex tb IIIC T95°C Db	<300W : Ⓜ II 2G Ex nR IIC T5 Gc Ⓜ II 2D Ex tb IIIC T95°C Db
-40°C ~ +60°C	80W/200W : Ex nR IIC T5 Gc Ex tb IIIC T85°C/95°C Db	80W/200W : Ex nR IIC T5 Gc Ex tb IIIC T85°C/95°C Db	80W/200W : Ⓜ II 2G Ex nR IIC T5 Gc Ⓜ II 2D Ex tb IIIC T85°C/95°C Db
	120W/240W/300W : Ex nR IIC T4 Gc Ex tb IIIC T100°C/115°C Db	120W/240W/300W : Ex nR IIC T4 Gc Ex tb IIIC T100°C/115°C Db	120W/240W/300W : Ⓜ II 2G Ex nR IIC T4 Gc Ⓜ II 2D Ex tb IIIC T100°C/115°C Db

Specific parameters and selection

Model	Power(W)	Lamp	Luminous Flux	Packing(cm)	G.W/N.W(Kgs)	Pcs/Cth	CBM
MFL3071-A	80	SMD	8640	51*39.5*17	6.53/7.26	1pcs	0.0342
	120	SMD	11760	51*39.5*17	6.63/7.36	1pcs	0.0342
	200	SMD	19600	61.5*47*19.5	12.56/14.06	1pcs	0.0564
	240	SMD	22320	61.5*47*19.5	12.86/14.36	1pcs	0.0564
	300	SMD	33600	61.5*47*19.5	12.77/13.7	1pcs	0.0564

Note: If you need 300W explosion-protected LED Lighting (floodlight) , the model is MFL3071-A-300.

Application



Gas: Zone 2, Dust: Zone 21- 22

Public engineering area of chemical industry area

Harbours



Floodtowers

Sportstadiums

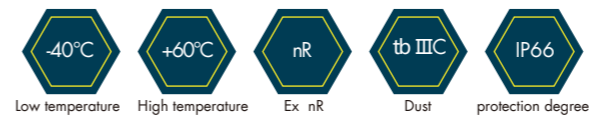
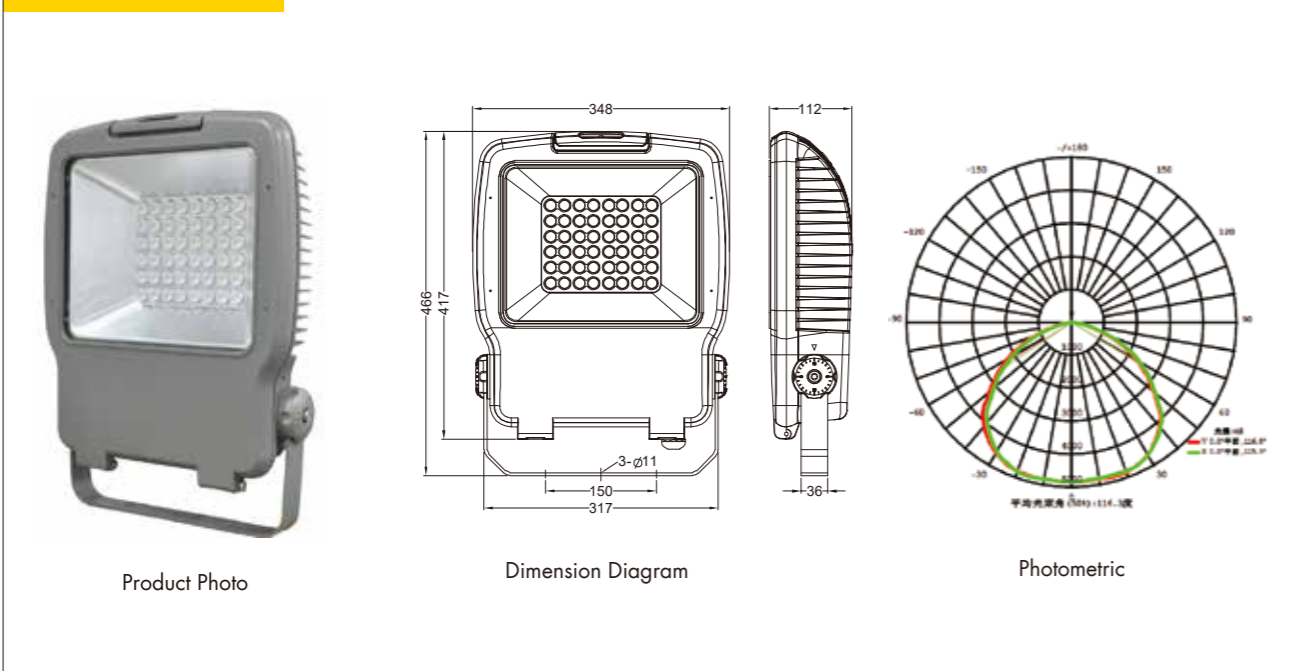
Buildings

MFL3071-A Series Explosion-protected LED Lighting (floodlight)



◆ Outline and dimension drawing/Distribution diagram

MFL3071-A-80/120



◆ Outline and dimension drawing/Distribution diagram

MFL3071-A-200/240/300

