

产品特点 Product feature



MAMAV

- ◆ 用于化工、炼油、食品加工、石油开采、海洋石油平台、油轮、隧道管廊、军工、航天、制药、冶金、矿产等存在可燃气体及粉尘的危险场所；
- ◆ 外壳采用铸铝合金压铸成型，经高速抛丸、高频清洗后，表面高压静电喷塑，提高了防腐性能，不锈钢外露紧固件，外形美观；
- ◆ 适用于炸性气体环境1区、2区，IIA、IIB、IIC类爆炸性气体；
- ◆ 适用于炸性粉尘环境21区、22区，IIIA、IIIB、IIIC类爆炸性粉尘；
- ◆ 透明罩采用棱晶钢化玻璃，防眩光，满足4J能量冲击；
- ◆ 可根据需求配置不同颜色的报警装置，可选：红、绿、黄；
- ◆ 低频率高光强障碍灯可用于铁塔（电力，通信，微波等），烟囱（火电厂，焦化厂，化工厂等），高层建筑，大型桥梁，大型港口机械，大型工程机械，风力发电机等需要对航空器起警示作用的场合。
- ◆ 电缆或钢管布线。
- ◆ Can be used in hazardous area which includes combustible and dust gas, such as chemical engineering, oil refinery, food processing, oil exploitation, offshore oil platform, tanker, tunnel pipe gallery, military industry, spaceflight, pharmacy, metallurgy, mineral products and etc.
- ◆ The enclosure is die casting by aluminum alloy, the corrosion-proof performance improved, the surface is high voltage static spraying after shot-blasting and high frequency cleaning. The exposed fastener is stainless steel. Beautiful appearance.
- ◆ Can be used in Zone 1, Zone 2, IIC, IIB, IIA type combustible gas environment.
- ◆ Can be used in Zone 21, Zone 22, IIC, IIB, IIA type combustible dust environment.
- ◆ The transparent cover is ribbed toughened glass, which can hold 4J energy impact, anti glare.
- ◆ Can be equipped with different color as per client requirements(Optional in red, green, yellow)
- ◆ The low luminous intensity obstruction lighting can be used in tower(electricity, communication, microwave, etc.), chimney(heat-engine plant, coking plant, chemical plant), high-rise buildings, large bridge, harbour machinery, engineer machinery, wind driven generator, where needs alarm the aircraft.
- ◆ Wiring with cable or steel pipe.

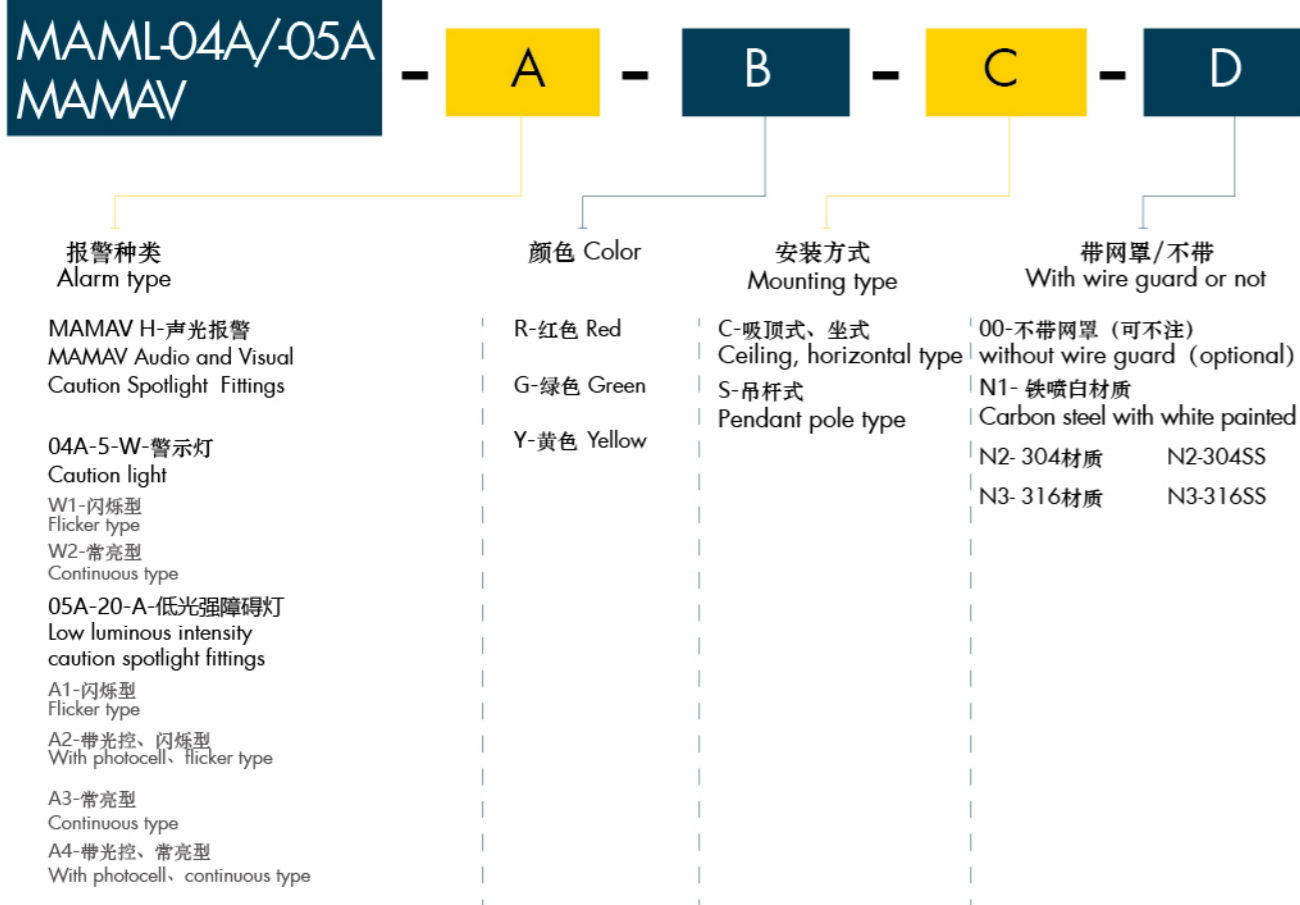


MAML-04A/-05A系列防爆灯具(报警装置)
MAML-04A/-05A Series Explosion-proof Lighting Fixtures





型号含义 Model meaning



举例1: 防爆灯具, 要求声光报警, 座式安装, 报警颜色为黄色, 带铁喷白网罩, 则型号为: MAMAV-H-Y-C-N1

For example #1: Explosion-proof caution spotlight, with audio and visual caution spotlight fittings, horizontal mounting type, caution color is yellow, with white coating wire guard, the model No. is MAMAV-H-Y-C-N1.

举例2: 防爆灯具, 要求低频低光强障碍灯闪烁型并带光控, 座式安装, 报警颜色为红色, 带304不锈钢网罩, 则型号为: MAML-05A-5-A2-R-C-N2

For example #2: Explosion-proof caution spotlight, low luminous intensity caution spotlight with photocell, horizontal mounting type, caution color is red, with SS304 wire guard, the model No. is MAML-05A-5-A2-R-C-N2.



技术参数 Technical parameter

环境温度 Ambient Temperature	防爆标志 Ex Marking		
	GB	IECEX	ATEX
-45°C ~ +60°C	Ex db IIC T6 Gb Ex tb IIIc T80°C Db	Ex db IIC T6 Gb Ex tb IIIc T80°C Db	Ex II 2G Ex db IIC T6 Gb Ex II 2D Ex tb IIIc T80°C Db
遵循标准 Conformity to standards	GB/T 3836.1 IEC/EN60079-0	GB/T 3836.2 IEC/EN60079-1	GB/T 3836.4 IEC/EN60079-11
防护等级 IP	GB/T 3836.31 IEC/EN60079-31		
保护壳材质 Enclosure Material	IP66		
保护壳喷涂材质及颜色 Powder coated and color	铸铝ZL102材料 Aluminium alloy ZL102 material code		
透明罩 Transparent cover	静电喷涂, 颜色国际标号: RAL 7090 Electrostatic powder coating, International standard color code: RAL 7090		
外露紧固件材料 The material of Exposed fastener	棱晶钢化玻璃, 抗4J冲击 Ribbed toughened glass, stands 4J impact		
光源及灯具功率 Lamp and lamp power	SS304/SS316 不锈钢 SS304/SS316 stainless steel		
额定电压及频率 Rated voltage & HZ	LED光源, 功率: 5~20W LED lamp, power: 5~20W		
允许最大进线电缆规格及电缆外径 Maximum entry cable specifications and cable OD.	AC/DC: 12/24/36V/48V AC: 220~240V 50/60HZ		
灯具进线口螺纹规格 Lighting fixture cable entry thread	3x2.5mm (铠装电缆、橡塑电缆) / 电缆外径范围: 10~14mm 3x2.5mm (armored cable, rubber and plastic rubber) / cable OD range: 10~14mm		
注: 格兰由客户单独订购, 本产品销售不含进线口的格兰。 Note: Cable gland is ordered separately by the customer. The sales of this product does not include Cable gland with inlet.	标配M25x1.5, 其它NPT3/4、G3/4等特殊螺纹下单时注明; Standard M25 x 1.5, other NPT3/4, G3/4 and other special thread indicate;		

产品选型技术参数 Technical data

型号规格 Model No. specifications	报警种类 Caution type	闪光次数/分钟 flash frequency (times/min)	声音强度dB Sound intensity dB	产品净重Kg Net weight Kg	温度组别 Tc Temperature Classes Tc
MAMAV-H	声光报警 Audio and visual caution	136	≥110	3.6	T6
MAML	警示灯(闪烁型W1) Caution light (flash type W1)	136	/	3.5	
-04A-5-W	警示灯(常亮型W2) Caution light (continuous type W2)	/	/		
MAML	低光强障碍灯(闪烁型A1) Low luminous intensity caution spotlight(flash type A1)	45	/	3.3	
-05A-20-A	低光强障碍灯(带光控、闪烁A2) Low luminous intensity caution spotlight(with photocell, flash type A2)	45	/		
	低光强障碍灯(常亮型A3) Low luminous intensity caution spotlight(continuous type A3)	/	/		
	低光强障碍灯(带光控、常亮型A4) Low luminous intensity caution spotlight(with photocell, continuous type A4)	/	/		

说明: 低光强障碍灯的光控开关灵敏度: 70/100lux Note: sensitive of low luminous intensity caution spotlight photocell switch: 70/100lux



◆ 产品优势介绍 Product advantage and features

01

本产品可内置声光报警装置、单独闪光装置、单独障碍灯装置，并且发光颜色多色可选，根据需要配置，通用性强。安装方式多样，可以根据用户要求选择座式、吸顶式、壁式、吊杆式、立杆座式等。
The lighting fixture can install visual and caution device, only flash device, only obstacle device, with multicolor optional. It can be customized as per requirements, high universality. The mounting type is diversity, it can be choose as per client requirements: horizontal type, ceiling type, wall type, pendent pole type, pole type etc.

02

灯具接线腔与灯体采用无线连接方式，客户端接线可避免绕线问题。
The connection between lighting fixture and wiring cavity is wireless connection structure, which avoid wire wrapping problem.

03

接线腔内的接线盘采用专利的快捷取出结构设计，提高现场安装效率。
The wiring panle inside wiring cavity is patented quickly removed struction type, which improved the site installation efficiency.

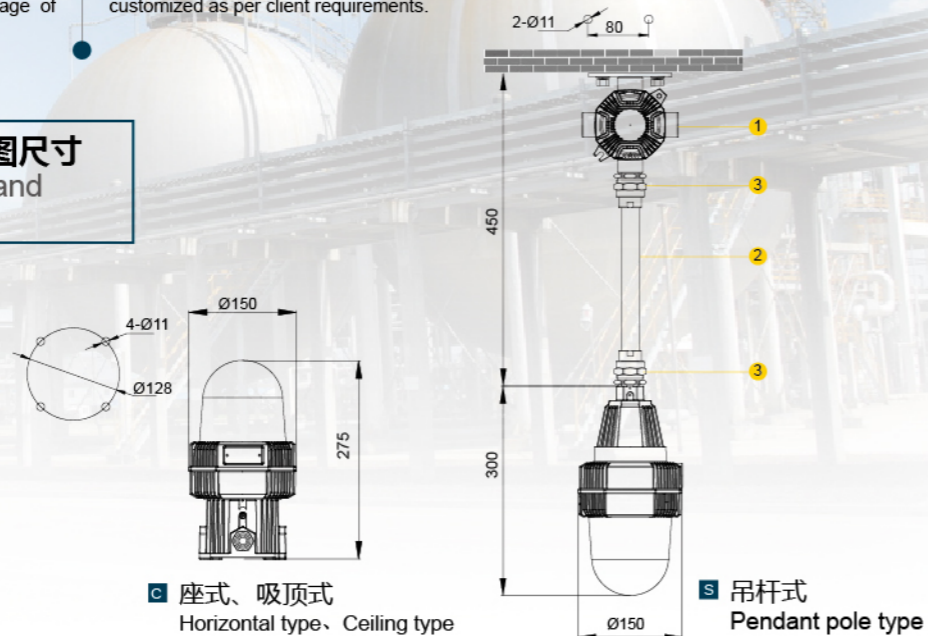
04

座式、吸顶式接线腔方便分线，最多可加工4处通头孔，且接线盘具备2组端子，方便现场分线布线，减少接线盒使用，节省成本；
Horizontal type, ceiling type wiring cavity are convenient for branching, the maximum quantity of cable entries is 4, there are 2 sets of terminals for wiring panel, which convenient for branching and wiring in site, and reducing the usage of terminals box and saving cost.

05

灯具采用高强度棱晶钢化玻璃罩，钢化玻璃罩可耐4J冲击，防眩光设计，照射角度大（见配电曲线图）。可根据用户需要配置网罩。
The lighting fixture use high-strength ribbed toughened glass cover, which can stand the 4J impact, anti-glare, with wide angel(see photometric date). The wire guard can be customized as per client requirements.

◆ 产品外形及安装示意图尺寸 Dimension drawings and installation reference



◆ 以上●序号产品信息请见P137-138页配件清单表，配件配置情况详见P139-P140。
Please refer to the list of accessories on pages P137-138 for the specific product information of the serial number above and refer to P139-P140 for the configuration of accessories.



◆ 产品爆炸图 Technical parameters

