

20 A

550 V
U MAX

DECONTACTOR™ DXN1

MARECHAL ELECTRIC FRANCE

| | | |
|--|--------------|--------|
| Ex II 2 G D | Ex db eb IIC | T* Gb |
| | Ex tb IIIC | T* Db |
| *-40 °C ≤ Ta ≤ +60 °C | T5 | T90 °C |
| -40 °C ≤ Ta ≤ +40 °C | T6 | T70 °C |
| IECEX LCI 09.0005X/LCIE 99 ATEX 6027 X | | |



IP66
IP67



1-4 mm² (1)
1,5-6 mm² (2)



GRP



IK09



-40 °C
+60 °C



AC-22
AC-23



ATEX



1, 2,
21, 22

(1) Flexible wiring (min.-max.).
(2) Stranded wiring (min.-max.).



Other configurations
on request

TEMPERATURE RATING

| | |
|----------------------------------|--|
| Gas temperature classes | T6 for an ambient T° between -40 °C and +40 °C |
| | T5 for an ambient T° between -40 °C and +60 °C |
| Dust surface temperature classes | Surface T° ≤ 70 °C for an ambient T° between -40 °C and +40 °C |
| | Surface T° ≤ 90 °C for an ambient T° between -40 °C and +60 °C |

STANDARDS

| | |
|---|--|
| International and European IEC/EN standards | 60079-0, 60079-1, 60079-7, 60079-31, 60309-1, 60309-4, 60947-3 |
| Protection mode | db eb, tb |

SOCKET-OUTLET

female
DXN1













INLET male
DXN1







Each socket outlet
or inlet must be
associated with a box,
a sleeve or a handle.

| | | | |
|--------------|--------|---------|---------|
| 20-24 V AC | 2P | 251408A | 251808A |
| 220-250 V AC | 1P+N+E | 2514015 | 2518015 |
| 380-440 V AC | 3P+E | 2514013 | 2518013 |
| 380-440 V AC | 3P+N+E | 2514017 | 2518017 |
| 480-500 V AC | 3P+E | 2514093 | 2518093 |
| 480-500 V AC | 3P+N+E | 2514097 | 2518097 |


► Other currents, voltages, frequencies and contact configurations are available (see page 14).

| OPTIONS | Reference |
|---|-------------------------|
| LOCKING PIN FOR 1 PADLOCK Ø 4 TO 8 mm (PADLOCK NOT SUPPLIED) | |
|  | Socket-outlet ref. +843 |
| SAFETY HASP FOR UP TO 6 PADLOCKS | |
|  | 399A541 |
| LARGER RELEASE BUTTON | |
|  | Ref. socket +453 |
| INLET CAP IP66/IP67 | |
|  | 251A426 |
| IN-LINE CONNECTIONS (A PAIR OF FINGER DRAW PLATES TO AID CLOSING) | |
|  | 611A346 |
| 180° OPENING LID | |
|  | Ref. +10 |
| SELF CLOSING/SELF RETURNING LID | |
|  | Socket-outlet ref.+R |
| 180° OPENING + SELF-RETURNING LID | |
|  | Ref. socket +18 |
| COMPATIBILITY WITH DSN SOCKET-OUTLET (INDUSTRIAL RANGE) | |
|  | Contact us. |
| SELF-EJECTION | |
|  | See page 188 |

| HANDLES | Cable outer Ø | Reference |
|---|---------------|------------|
| POLY HANDLE WITH GLAND EX POLY | | |
|  | 10-14 mm | 251A753 |
| | 12-18 mm | 251A25325P |
| | 16-25 mm | 251A25332P |
| POLY HANDLE WITH EX POLY GLAND FOR SELF-EJECTION OPTION | | |
|  | 10-14 mm | 251A463 |
| | 12-18 mm | 251A44325P |
| STRAIGHT POLY HANDLE WITH METAL CABLE GLAND WITH EARTH CONTINUITY | | |
|  | 8-10 mm | 251A25320M |
| | 12-14 mm | 251A25325M |
| | 18-24 mm | 251A25332M |

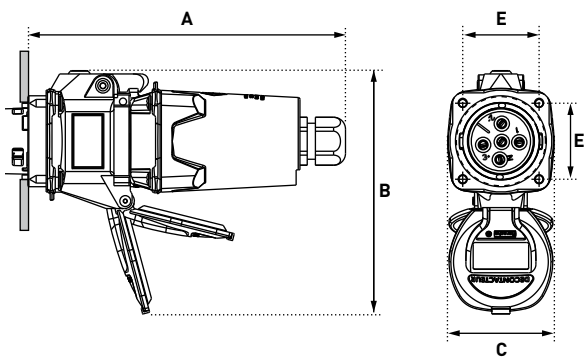
| WALL BOX | Incline angle | Input/ Cable outer Ø | Reference |
|--|---------------|-------------------------|---------------------------|
| WALL BOX POLY WITH EX POLY CABLE GLAND | | | |
|  | 30° | 5-10 mm | 251AB5316P |
| | 30° | 10-14 mm | 251AB53 |
| | 30° | 12-18 mm | 251AB5325P |
| WALL BOX POLY WITHOUT CABLE GLAND | | | |
|  | 30° | M20 | 251AB53417 |
| | 30° | M25 | 251AB53418 |
| WALL BOX POLY WITH EX POLY CABLE GLAND | | | |
|  | 70° | 10-14 mm | 251AB8820P |
| | 70° | 12-18 mm | 251AB8825P |
| | 70° | 16-25 mm | 251AB8832P |
| WALL BOX POLY WITH TERMINAL BLOCKS (IECEx LCIE 16.0042X/LCIE 16 ATEX 3054X) | | | |
|  | 70° | 10-14 mm | 251A08820P ⁽¹⁾ |
| | 70° | 12-18 mm | 251A08825P ⁽¹⁾ |

1. Delivered with two predrilled entries fitted with 1 cable gland and 1 stopping plugs, 8+2 terminals up to 4 mm² with 2.5 mm² wires. Wiring : 1-4 mm². For other configurations, contact us.

| SLEEVE | Incline angle | Reference |
|---|---------------|-----------|
| INCLINED POLY SLEEVE | | |
|  | 30° | 251A057 |
| | 70° | 251A757 |

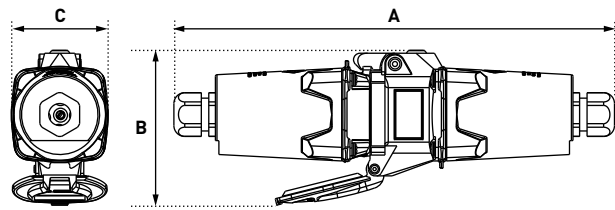
DRAWINGS AND DIMENSIONS

PLUG ON SOCKET-OUTLET



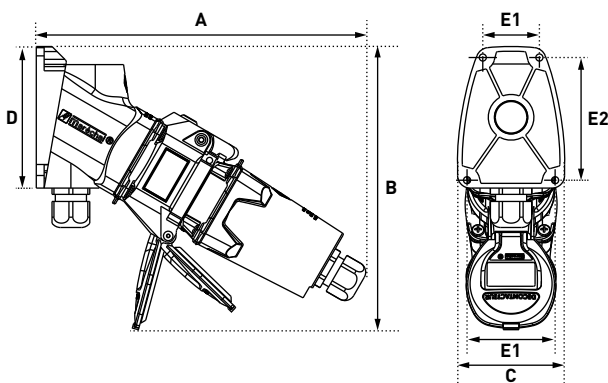
| A | B | C | E |
|-----|-----|----|----|
| 165 | 134 | 58 | 42 |

COUPLER



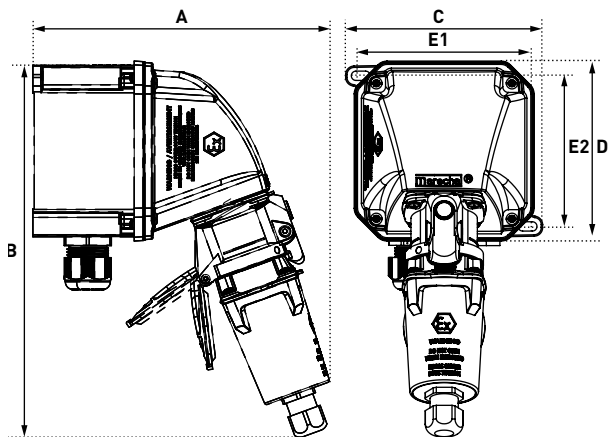
| A | B | C |
|-----|----|----|
| 266 | 58 | 89 |

PLUG ON 30° WALL MOUNTED SOCKET OUTLET



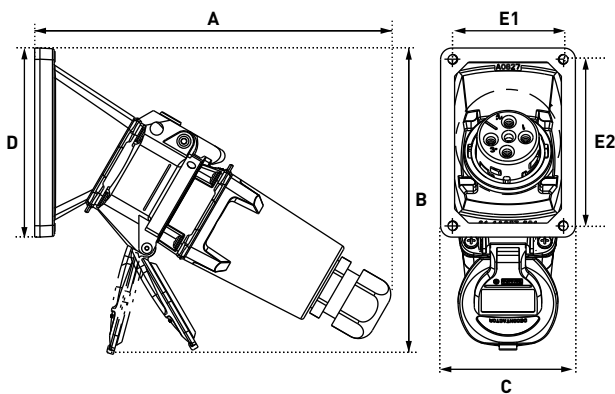
| A | B | C | D | E1 | E2 |
|-----|-----|----|----|-------|----|
| 209 | 180 | 68 | 90 | 36/56 | 79 |

PLUG ON 70° WALL-MOUNTED SOCKET-OUTLET



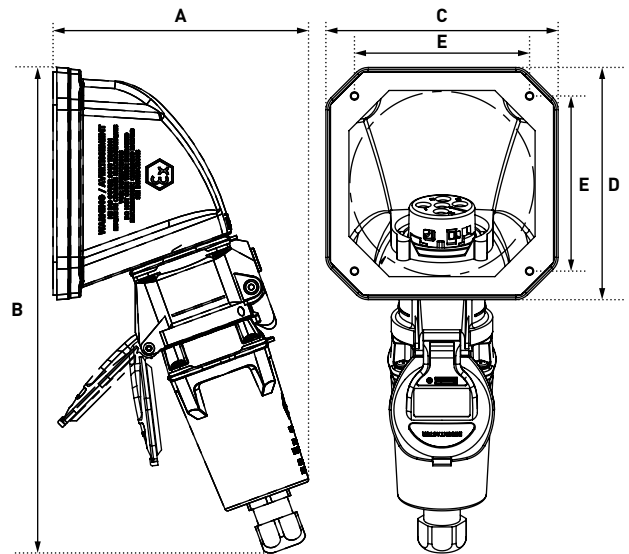
| A | B | C | D | E1 | E2 |
|-----|-----|-----|-----|-----|-------|
| 208 | 264 | 138 | 126 | 117 | 105.5 |

PLUG ON 30° INCLINED SOCKET-OUTLET



| A | B | C | D | E1 | E2 |
|-----|-----|----|-----|----|----|
| 203 | 175 | 77 | 108 | 64 | 96 |

PLUG ON 70° INCLINED SOCKET-OUTLET



| A | B | C | D | E |
|-----|-----|-----|-----|----|
| 139 | 264 | 126 | 126 | 95 |

