

**DLPE60-1H24V** (107201550102)

**Product Features**

- A channel constant voltage output
- Applicable to indoor LED lights
- Small size, high efficiency, high reliability and long life time
- -20°C~+50°C, working temp
- Protections: Over temperature, Over Load, Short circuit
- The typical efficiency of the machine is up to 86%
- Compliance with CE and ROHS
- 100% Full load aging test



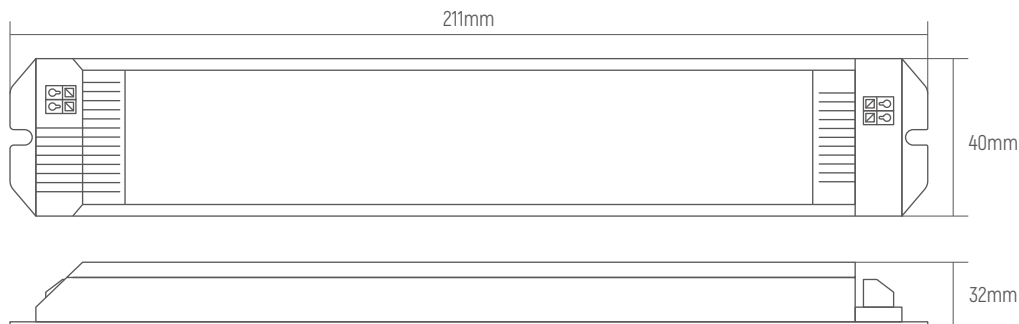
**Application**



**Technical Parameters**

Model	DLPE60-1H24V	
Input	Efficiency	86%@230VAC, Full load
	Voltage	220VAC-240VAC
	Frequency Range(Hz)	50/60Hz
	Power Factor	0.9@230VAC, full load
	THD(full load)	30%@230VAC, Full load
	AC Current(max)	0.31Amax@230VAC
	Inrush Current(max)	Cold start, --A@230VAC
Output	Current/Voltage/Power	2.5A/24VDC/60W
	Ripple Current	10%
	Channel	1
	Voltage Tolerance	5%
	Standby Power	0.5W
	Turn on delay Time	<1.2s
Protection	Short Circuit	After fault removed Close output ,the output current recovers automatically
	Over Temperature	Shut down the output, recovers automatically when temp. back to normal.
	Over Load	Hiccup, remove fault and recover
Safety & EMC	Surge	L-N:1KV
	Withstand Voltage	I/P-O/P: 3750VAC/1min/5mA
	Safety Standards	IEC 62384:2006, GB 24825-2009
	EMC Eission	EN55015, EN61547
	EMC Immunity	EN61000-4-2, 3, 4, 5, 6, 8, 11; EN61547
Others	Working Temp.	-20°C~+50°C
	Storage Temp., Humidity	-40°C~85°C, 20-90%RH
	tc	85°C
	Material	PC
	IP Rating	IP20
	Lifetime	20,000h@tc:85°C
	Warranty Condition	5 Years
	Switch Cycle	>25,000 times
	Packing(weight)	Net weight: 225g±5%/PCS; --PCS/Cartron; --kg±5%/Cartron; Cartron Size:--mm(L*W*H)
	Dimension	211*40*32mm(L*W*H)

**Dimension(mm)**



**Wiring Diagram****Cautions**

- 1.The product shall be installed and serviced by a qualified person.
- 2.This product is non-waterproof. Please avoid the sun and rain. When installed outdoors please ensure it is mounted in a water proof enclosure.
- 3.Good heat dissipation will prolong the working life of the controller. Please ensure good ventilation.
- 4.Please check if the output voltage and current of any LED power supplies used comply with the requirement of the product.
- 5.Please ensure that adequate sized cable is used from the controller to the LED lights to carry the current. Please also ensure that the cable is secured tightly in the connector.
- 6.For safety consideration, PVC or rubber cord of 0.75-1.5mm<sup>2</sup> is recommended for input and output terminal(s) .Flat power cord is not suitable. Ensure all wire connections and polarities are correct before applying power to avoid any damages to the LED lights.
- 7.The power supply should be strictly and reliably grounded to prevent electric shock.
- 8.If a fault occurs please return the product to your supplier. Do not attempt to fix this product by yourself.

※ The contents of this manual are updated without prior notice. If the function of the product you are using is inconsistent with the instructions, the function of the product shall prevail.Please contact us if you have any questions .

DLPE60-1H24V (107201550102)

产品特点

- 单通道恒压输出
- 适用于LED室内灯具
- 小体积、高效率、高可靠、长寿命
- 在-20°C~+50°C工作正常
- 保护：过载、过温、短路
- 整机典型效率高达86%
- 符合CE认证，符合RoHS环保标准
- 100%满载老化测试



技术参数

应用



洗墙灯



LED灯带



LED硬灯条



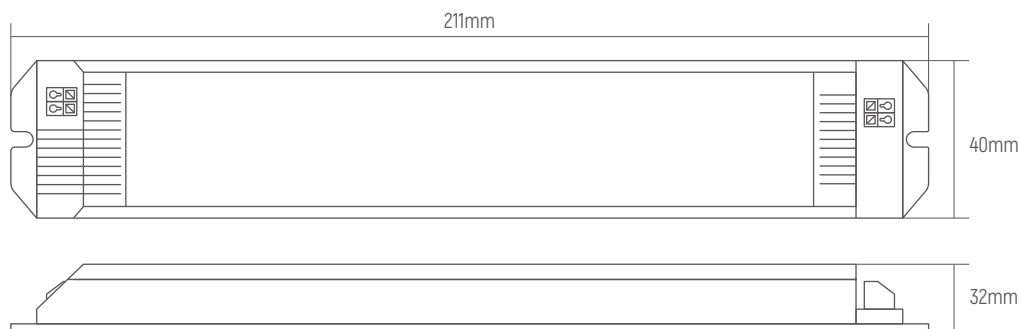
地埋灯



AR斗胆灯

型号	DLPE60-1H24V	
输入	效率	86%@220VAC, 满载
	电压	220VAC-240VAC
	频率	50/60Hz
	功率因素	0.9@230VAC, 满载
	THD	30%@230VAC, 满载
	电流	0.31Amax@230VAC
	浪涌电流	冷启动, --A@230VAC
输出	电流/电压/功率	2.5A/24VDC/60W
	波纹电流	10%
	通道	1
	电压公差	5%
	待机功耗	0.5W
	启动延时	<1.2s
保护	短路	关闭输出, 排除故障后自恢复
	过流	打嗝, 移除故障后自恢复
	过压	打嗝, 移除故障后自恢复
	过温	关断输出, 当温度恢复正常时自动恢复.
安全 & 电磁兼容	浪涌	L-N:1KV
	耐压标准	I/P-O/P: 3750VAC/1min/5mA
	安全标准	IEC 62384:2006, GB 24825-2009
	电磁兼容	EN55015, EN61547
	EMC抗扰度	EN61000-4-2, 3, 4, 5, 6, 8, 11; EN61547
其它	工作温度	-20°C~+50°C
	储存温度、湿度	-40°C~85°C, 20-90%RH
	tc	85°C
	材质	PC
	防水等级	IP20
	寿命	20000小时@tc:85°C
	质保	5年
	开关周期	>25,000次
	包装尺寸(重量)	净重: 225g±5%/PCS; --PCS/ Carton; --kg±5%/箱; 外箱尺寸: --cm(长*宽*高)
	尺寸	211*40*32mm(长*宽*高)

尺寸(mm)



**接线图:****注意事项:**

- 1、本产品请由具有专业资格的人员进行调试安装。
- 2、本产品不能防水，需避免日晒雨淋，如安装在户外，请用防水箱。
- 3、良好的散热条件会延长产品的使用寿命，请把产品安装在通风良好的环境。
- 4、请检查使用的LED电源输出电压电流，是否符合产品要求。
- 5、使用的电线直径大小必须能够负载连接的LED灯具，并确保接线牢固，以免电线过热或接触不良触发事故。
- 6、通电调试前，应确保所有接线正确，避免因接线错误而导致灯具损坏。
- 7、安装在金属表面，电源应严格可靠接地，以防漏电触电。
- 8、如果发生故障，请勿私自维修；如有疑问，请联系供应商。

※ 本说明书内容如有更新，恕不另行通知。

若您使用的产品功能与说明书不一致时，请以产品为准。如有疑问请与我们联系。