

DIM105

Summary

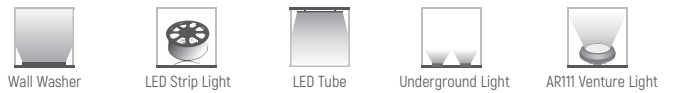
Welcome to use our company's DIM105 Triac dimmer, this dimmer is a constant voltage dimmer, output current is 15A max. Adopt the advanced microcomputer control technology, and use the advanced electronic components. This dimmer has stable performance and high quality. It's can be used widely at building, hotel, KTV and home.

Product Feature

- Triac dimming, input dimming signal:AC40V-220V
- Support all the triac dimming system, such as Lutron,Clipsal,Dyna lite
- Single channel output, output current 15A max
- The dimming curve smooth, no flicker
- 0-100% brightness control
- Has over current protection, short protection, over temperature protection
- Has Power LED to indicate current status:
- Power LED Off: Work normally;
- Power LED ON: Connection error or over current & short protect& over temperature



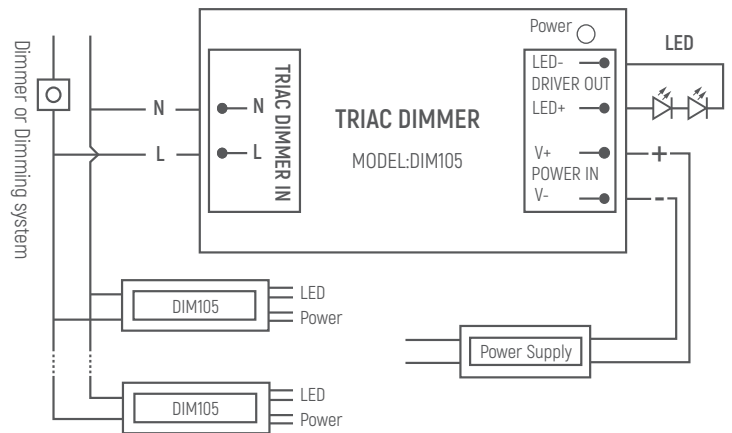
Application



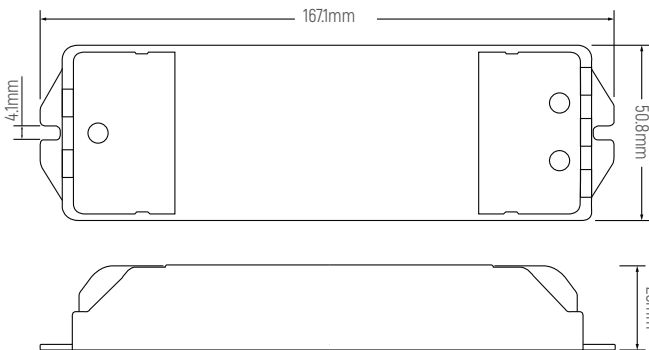
Technical Parameters

Input Voltage	DC 12-24V
Dimming Voltage	AC 40-220V
Output Current	15A max
Output Power	12V:180W max 24V:360W max
Work Temp.	-20-50°C
Product Size	167(L)×52(W)×24(H) mm
Pack Size	175(L)×57(W)×30(H) mm
N.W.	83.5g
G.W.	114g

Wiring Diagram



Dimension(mm)



Remark :

AC40V-AC220V dimming signal input can get 0%-100% brightness output, and the dimming curve smoothness is proportional to the input dimming signal. If the brightness can't go to 0%, please check the AC40V-AC220V dimmer whether can get to the lowest dimming voltage. If the brightness can't go to 100%, please check the input voltage whether can get to the highest voltage.

Caution

- 1.Input voltage must be fit the production work voltage
- 2.Do not overload
- 3.Before commissioning of the power,should ensure that all wiring is correct before electricity.
- 4.If failure, do not privately maintenance, please contact the supplier

PS:

Does not apply to 110V countries like the United States, Canada, Japan, etc.

※ The contents of this manual are updated without prior notice. If the function of the product you are using is inconsistent with the instructions, the function of the product shall prevail.Please contact us if you have any questions.

DIM105

概述

欢迎使用 DIM105恒压可控硅调光器，最大输出电流 15A。这款调光器采用了先进的微电脑控制技术，先进的电子元器件，具有稳定的性能和高品质，可以广泛应用于大楼，酒店，KTV和家庭。

产品特点

- 可控硅调光，输入的调光信号：AC40V-220V
- 支持所有的可控硅调光系统
- 单通道输出，最大输出电流15A
- 调光曲线平滑无抖动
- 亮度调节0-100%
- 具有过流保护，短路保护，过温保护

LED电源指示：

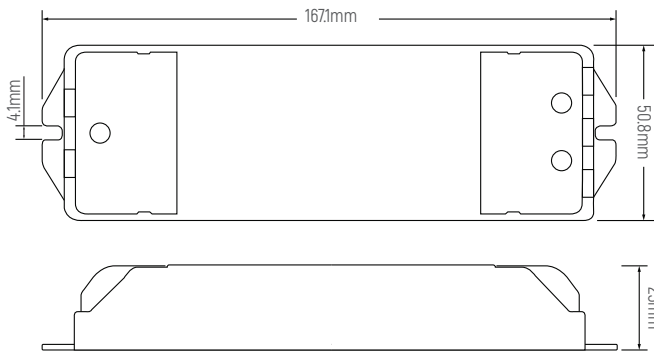
LED电源亮说明正常工作

LED电源灭说明线路连接错误或者过流保护或者短路保护

技术参数

输入电压	DC 12-24V
调光电压范围	AC 40-220V
输出电流	最大15A
输出功率	12V: 最大180W 24V: 最大360W
工作温度	-20-50°C
产品尺寸	167(L)×52(W)×24(H) mm
包装尺寸	175(L)×57(W)×30(H) mm
净重	83.5g
毛重	114g

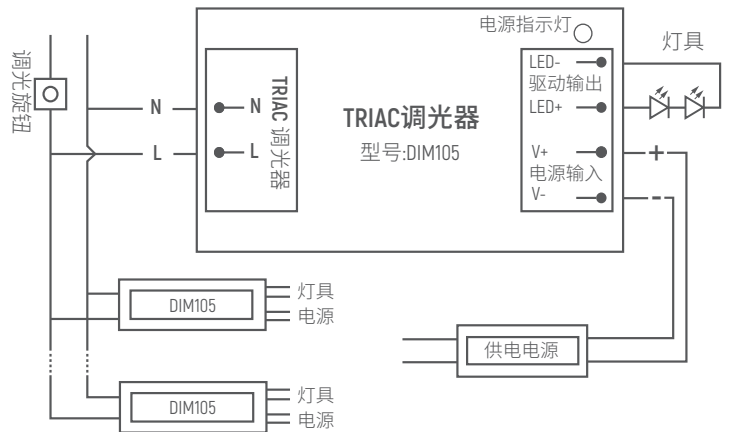
尺寸(mm)



应用



应用接线图



备注：

AC40-220V的调光信号输入可以实现0-100%的调光输出，调光曲线平滑与输入的调光信号成正比。如果亮度达不到0%，请检查AC40-220V的调光器是否能达到最低的调光电压。如果亮度达不到100%，请检查调光器是否能达到最高的调光电压。

安装事项

- 1.输入电压必须符合产品的工作电压
- 2.不能过载
- 3.通电前必须确保接线正确

备注：

不可以用于电压值为110V的国家，如美国，加拿大，日本等

※ 本说明书内容如有更新，恕不另行通知。若您使用的产品功能与说明书不一致时，请以产品为准。如有疑问请与我们联系。