

DALI6004

12-24V DC

Features:

- PWM output current : MAX 5A/CH
- DALI Digital control input, Dimming control LED module
- Addressing output channel
- Support Touch DIM function, and can be dimmed manually
- Dimming range is from 0-100% (LED Will start from 1%)
- Used for DC Power supply
- Short circuit protection, Over load protection
- Security level : 2
- Four channels 12-24VDC constant voltage output



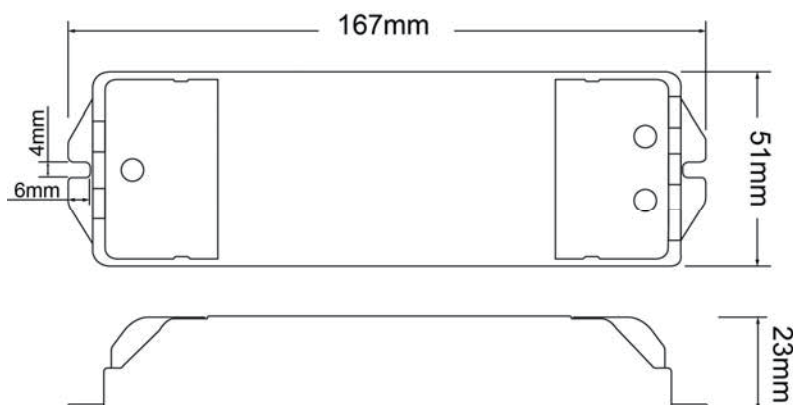
Model: DALI6004

Technical parameter:

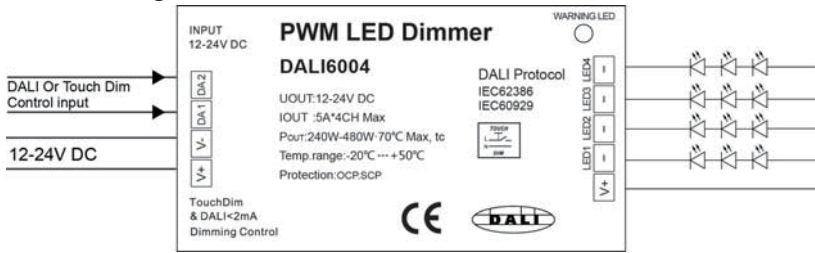
Parameter	Min.*	Nom.*	Max.	Unit
Input voltage range	12	12-24	24	Vdc
Touch DIM AC input voltage range	5	-	290	VAC
Touch DIM AC input voltage frequency range	45	-	65	Hz
12-24 V DC Input current	-	-	5	A/ ch
Output power	0.1	4 x 60-120	4 x 120	W
Output voltage	12	12-24	24	Vdc
Output current	-	-	5	A/ ch
Peak current	-	-	6	A/ ch
Dimming control DALI definition	IEC62386			
Out casing temp	-	-	70	°C
Surrounding temp	-20	-	50	°C
Protection	Short circuit protection			
	Overload protection			

*It's available in 25°C indoor

Size (mm)



Connecting:



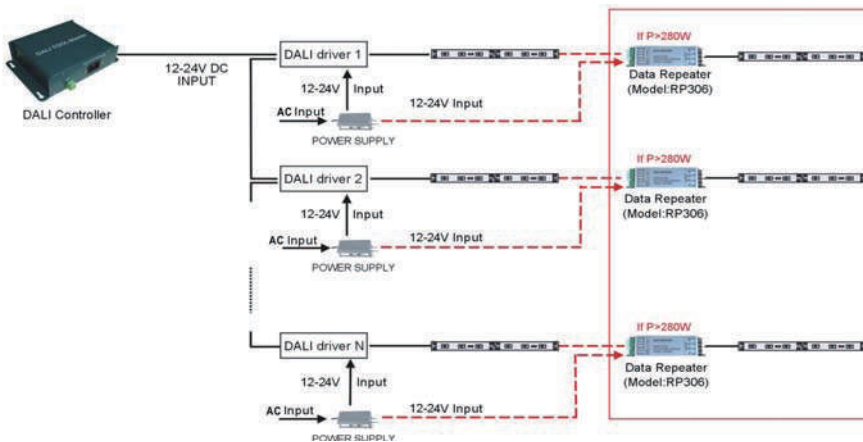
Touch DIM function instructions:

- 1) Press the Touch DIM switch for 8s or more, the driver can be controlled via Touch DIM switch.
- 2) Short press the Touch DIM switch (<0.5s) to control the lamp on or off.
- 3) Long press the Touch DIM switch (>0.5s) to dim the brightness of light. The dimming direction will change every time after pressing switch.
- 4) Double-click the Touch DIM switch (<0.3s), then all lamps connected on the device will be set maximum brightness.
- 5) When the light being turned off, long press the Touch DIM switch can turn on the light and adjust the brightness according to the dimming direction.
- 6) The brightness adjustment range is 1%-100%, and the light can be turned off through short pressing when doing the adjustment with long pressing Touch DIM switch
- 7) With the Power off memory function, the power-down state will be recovered when power on again.

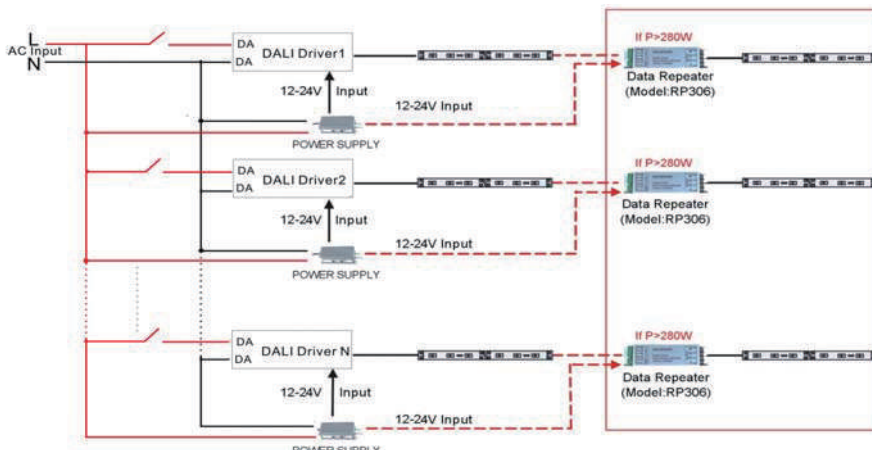
Product installation notes:

- 1) Remark: DALI and Touch DIM functions cannot be used simultaneously, which can be controlled respectively by using DALI controllers or the equipments with Touch DIM function
- 2) Please read the connecting instruction picture before installation
- 3) Please use the complete set of product according to the provided specification
- 4) Please firstly pressure the cap end down in wire connecting process, then insert the thread of wire, and lastly check the wire is or not insert firmly
- 5) Please check the connecting method is correct or not before connecting the power

DALI wiring diagram:



TouchDIM wiring diagram:



DALI6004

12-24V DC

产品特点:

- PWM 输出最大电流 5A/CH
- DALI 数字控制输入，调光控制 LED 模块
- 寻址输出通道
- 支持 Touch DIM,可以手动调光
- 调光从 0-100%的范围内，(LED 亮度在 1%启动)
- 适用于直流电源
- 短路保护，过载保护
- 安全等级 2
- 4 通道 12-24VDC 恒压输出



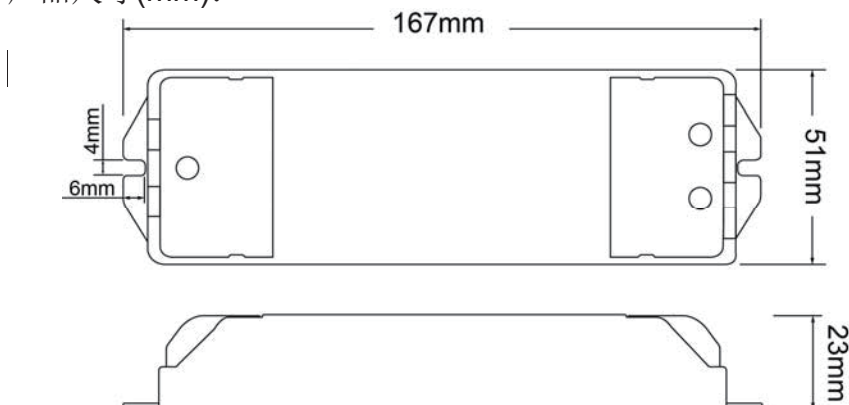
型号: **DALI6004**

技术数据:

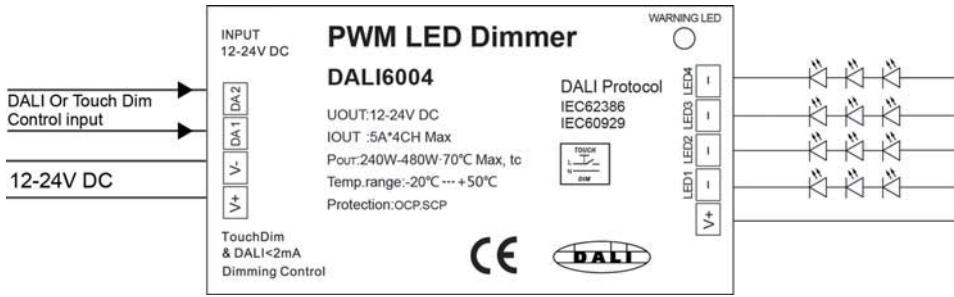
参数	Min.*	Nom.*	Max.	Unit
输入电压范围	12	12-24	24	Vdc
Touch DIM AC 输入电压范围	5	-	290	VAC
Touch DIM AC 输入电压频率范围	45	-	65	Hz
12-24V 直流电输入电流	-	-	5	A/ ch
输出功率 (4 通道功率输出, 合计)	0.1	4 x 60-120	4 x 120	W
输出电压	12	12-24	24	Vdc
输出电流	-	-	5	A/ ch
峰值电流	-	-	6	A/ ch
调光控制 (调光) DALI 协议		IEC62386		
外壳温度	-	-	70	°C
环境温度	-20	-	50	°C
保护	短路保护			
	过载保护			
	过热保护			

*在室温 25°C 温度场的有效

产品尺寸(mm):



连接示意图:



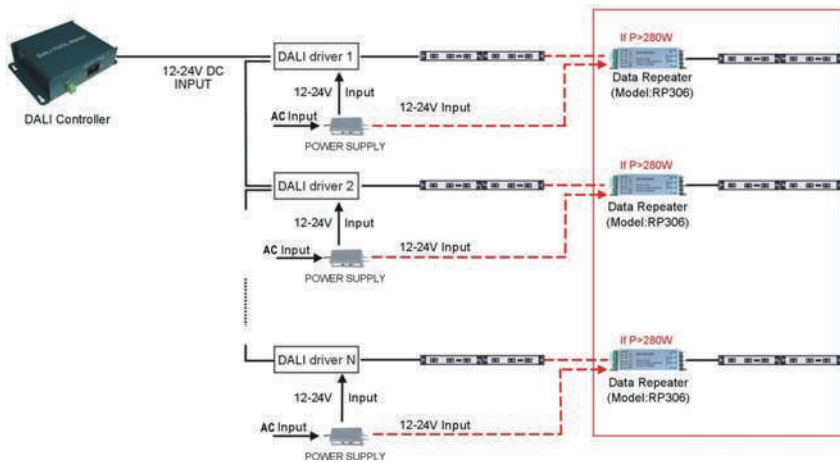
Touch DIM 功能介绍:

- 1) 长按Touch DIM 8s以上, 切换为Touch DIM模式。
- 2) 短按Touch DIM 开关 (<0.5秒) 进行灯的亮暗控制。
- 3) 长按Touch DIM 开关 (>0.5秒) 进行灯具的亮度调节, 光是调亮还是调暗, 随着每次按压的开关变化而变换。
- 4) 双击Touch DIM 开关 (<0.3秒), 连接的所有灯具将达到最亮状态。
- 5) 当灯具处于关闭状态, 长按Touch DIM开关可以开启灯具并按照变化方向进行亮度的调节。
- 6) 亮度调节范围为1%-100%。
- 7) 具有断电记忆功能, 重新上电将恢复到上一次断电的状态。

产品安装注意事项:

- 1) 注意: DALI 和 Touch DIM 一定不能同时使用, 可分别使用 DALI 控制器或具有 Touch DIM 功能的设备来控制
- 2) 安装前请仔细看产品接线图
- 3) 请按产品提供线材规格范围配套使用
- 4) 接线过程请将压线帽端压下, 再插入线头, 接好请检查是否插牢固
- 5) 上电前就仔细检查接线方式是否正确

DALI 接线图



TouchDIM 接线图

