

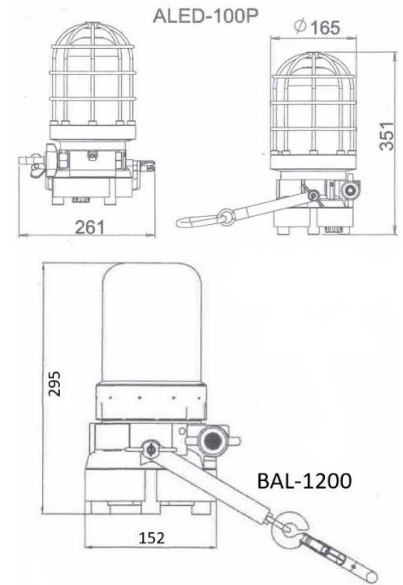
## Compressed Air / Electric Safety Lights

### Centurion ATEX Explosion Proof Air Turbo Lights



330621/CEN

330638/CEN



### Available variants

Inventory code	330621/CEN	330638/CEN
Model	ALED-100P	BAL-1200
Beam type	Bay light	Bay light
Color temperature	6,000K	3,200K
Output	2,200 lumens (effective lumens)	7,500 lumens (effective lumens)
Light source type	High power LED	Halogen lamp
Power	12V 40W	24V 250W
Common usage area	Oil and petrochemicals industries	Oil and petrochemicals industries
Working pressure	3.5 – 8.0 Bar	4.0 – 8.0 Bar
Enclosure	Impact resistant thermoplastic, anti-static	Impact resistant thermoplastic, anti-static
Ex Mark	II 2G Ex eb pxb IIC T6 Gb II 2D Ex tb IIIC T85°C Db	II 2G Ex eb pxb IIC T6 Gb II 2D Ex tb IIIC T85°C Db
Type of protection	'eb' Increased safety, 'pxb' Pressurized, 'tb' Dust ignition protection by enclosure	'eb' Increased safety, 'pxb' Pressurized, 'tb' Dust ignition protection by enclosure
Areas of classification (Gases)	Zone 1 and 2. Gas Groups: IIA, IIB, and IIC	Zone 1 and 2, Gas Groups: IIA, IIB, and IIC
Areas of classification (Dusts)	Zone 21 and 22. Dust Groups: IIIA, IIIB, and IIIC	Zone 21 and 22, Dust Groups: IIIA, IIIB, and IIIC
Temperature classification (Gases / Dusts)	T6 / 85°C	T6 / 85°C
Inlet air supply hose	Anti-static hose, inner diameter $\Phi 1/2"$ (12mm)	Anti-static hose, inner diameter $\Phi 1/2"$
Product weight	8.8kg	6.0kg
Dimension	$\Phi 165\text{mm} \times 351\text{mm}$	$\Phi 152\text{mm} \times 295\text{mm}$
Packaging	1 piece per carton, size 435mm x 300mm x 300mm	1 piece per carton, size 340mm x 340mm x 280mm

### Product usages

The ATEX Explosion Proof Air Turbo Pendant Light ALED-100P and The ATEX Air Turbo Light BAL-1200 are high-power compressed air-driven lights commonly used in potentially explosive atmospheres while featuring aluminum ultra-light construction. It provides illumination for shot-blasting, cleaning, and coating storage tanks, vessels, pipelines, and structural engineering activities, offering a safer alternative to mains and low voltage lighting as the explosive atmospheres pose a severe risk to the workforce. The ATEX Explosion Proof Air Turbo Pendant Light ALED-100P uses high-efficiency 40W LED light, offering brilliant cool white output while the ATEX Air Turbo Light BAL-1200 uses a 250 watts Halogen lamp output, offering brilliant warm white output. Both are high reliability, low maintenance light sources that provide high-quality ambient lighting.