

LED CONTROLLER

ITEM NO.: CTR-RGB

INSTRUCTION OF CTR-RGB

This kind of controller, which adopts AC input and DC output (4wires, 3loops. The common anode represents +, RGB represents -), it is specially designed to be used with LED RGB Lightings. Compatible with International Standard DMX512 Signal, it can be used by connecting DMX512 Console directly and also has LCD for the purpose of visual display .

A. Specification

A-1. Structure

Materials Of Shell: A3 Iriom Shell
 Input Voltage: 120V/240V AC
 Output Voltage: 12V/24V DC
 Output Port: 4 Pins Connector
 DMX512: Compatible
 Working Temp: -20°C~ 45°C
 Protection: IP20



A-2. Structure

Materials Of Shell: Aluminum alloy
 Input Voltage: 120V/240V AC
 Output Voltage: 120V/240V DC
 Output Port: 4 Pins Connector
 DMX512: Compatible
 Working Temp: -20°C~ 45°C
 Protection: IP20



A-3. Model Configuration Table

Model No.	Output Voltage	Output Current	Output Power	Size	Weight	✓
CTR-RGB-12V/24V	12V/24V DC	12A	144W(12V)/288W(24V)	L330xW215xH65mm	3.07kgs	
CTR-RGB-120V/240V	120V/240V DC	6A	720W(120V)/1440W(240V)	L192xW147xH56mm	0.92kgs	

B. Working mode:

1. DMX512 mode (signal from DMX console)
2. Built-in mode
3. Master/Slave mode (Master=001, Slave≠003)

C. Setting and Built-in Programs

Press **【MODE】** into the setting of working mode
 Press **【MODE】** the controller will enter into two kinds of functions; Each time press the button, a new mode or function will be available.

Function: (A) Built-in programs;
 (B) Set DMX Address;

- (A) Built-in programs: (Total 26 functions)
 Brightness range of Static color: 0~255
 Speed range of Color change/fade: 0~100
 Cycle range of: 0~10
 *Function 08~25 can be optional in AutoRun Mode

Built-in programs Sheet	
01 Static Red	14 Cyan Fade
02 Static Green	15 White Fade
03 Static Yellow	16 Color Fade1
04 Static Blue	17 Color Fade2
05 Static Purple	18 Red Flash
06 Static Cyan	19 Green Flash
07 Static White	20 Yellow Flash
08 Color Change	21 Blue Flash
09 Red Fade	22 Purple Flash
10 Green Fade	23 Cyan Flash
11 Yellow Fade	24 White Flash
12 Blue Fade	25 Color Flash
13 Purple Fade	26 Auto Run Mode

LED CONTROLLER

ITEM NO.: CTR-RGB

(B) DMX ADDRESSING: Press **【UP】** or **【DOWN】** to start setting.

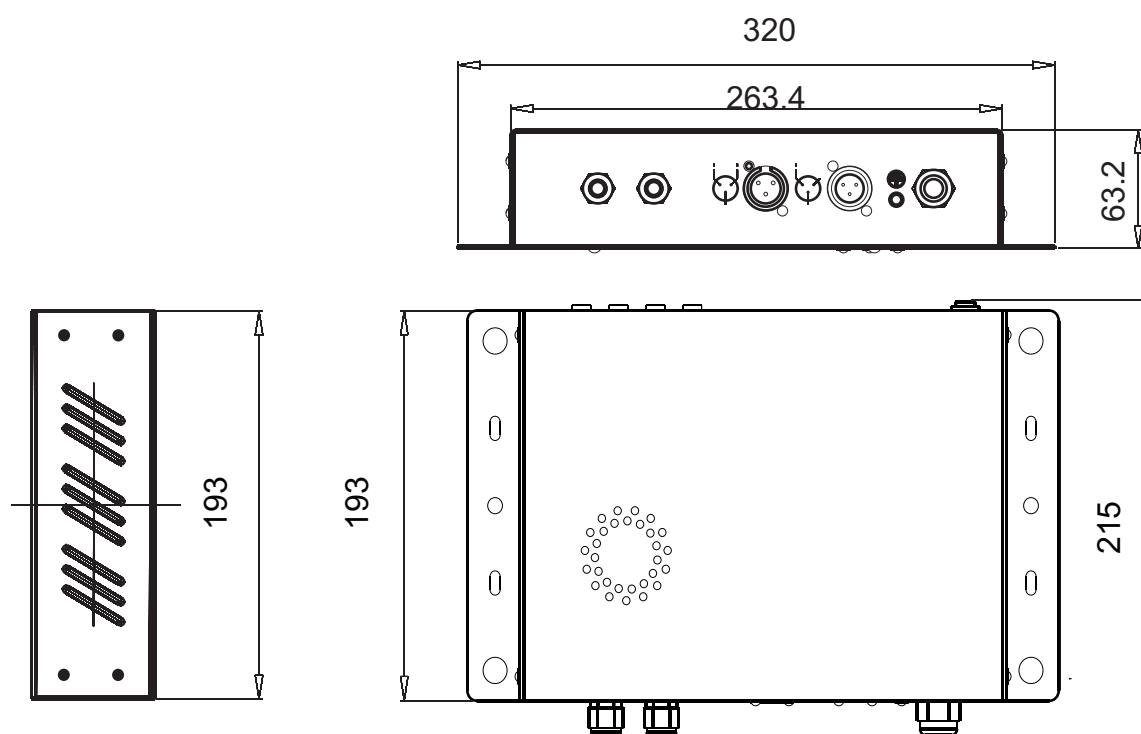
DMX ADDRESS RANGE: 001~512

The controller has 3 DMX channels designed as below:

CHANNEL 1		CHANNEL 2		CHANNEL 3	
Data	Function	Data	Function	Data	Function
0~255	Brightness of Red	0~255	Brightness of Green	0~255	Brightness of Blue

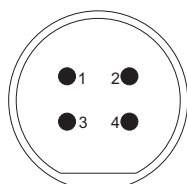
***Enter or quit DMX mode automatically once detecting valid signal!!!

D. Dimension Drawing

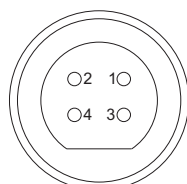


E. Interface of connector

E-1. RGB 4-pin connector for the controller or lights



Male



Female

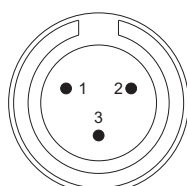
PIN 1 Red(-) (Red/brown cable)

PIN 2 Green(-)(Green cable)

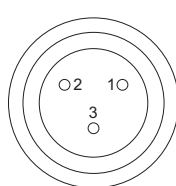
PIN 3 Black(+) (Common cable)

PIN 4 Blue(-) (Blue cable)

E-2. DMX Socket of the controller



Male



Female

PIN 1 SHIELD (Yellow cable)

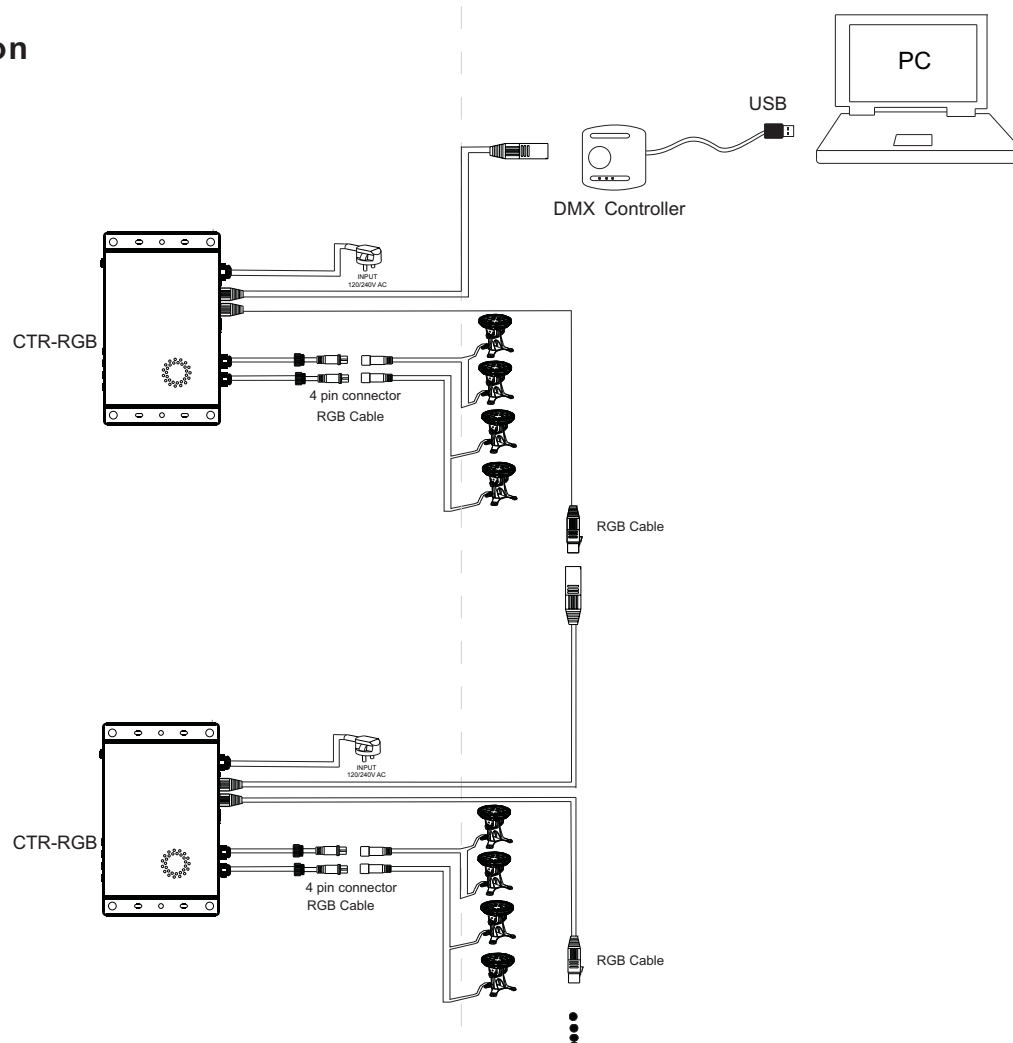
PIN 2 DATA - (Black cable)

PIN 3 DATA + (Red cable)

LED CONTROLLER

ITEM NO.: CTR-RGB

F.Connection



Caution:

- 1) In DMX mode, the controller is controlled by DMX512 Console, in whose manual we can get the way of operating it.
- 2) Do not connect the controller with power when it is still in package.
- 3) If the controller does not work any longer, please do not dismantle it yourself and just send it back to the dealer to be repaired.
- 4) Do not use the controller in the magnetic field.
- 5) The controller is for indoor use only.
- 6) Do not overload avoid damage or danger to the controller.

The above instruction are subject to update or improved without notice. Pls turn to our staff for further details !
Thanks for your long term support !