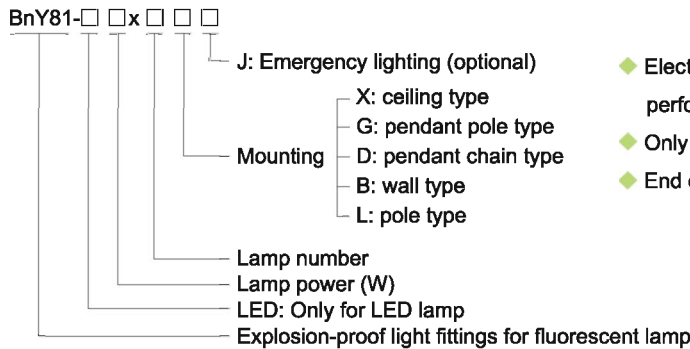


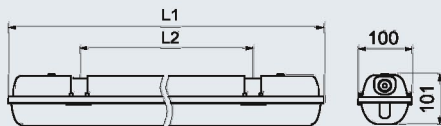
Light Fittings for Fluorescent Lamp BnY81 Series Explosion-proof Light Fittings for Fluorescent Lamp

- ◆ Explosion protection to
 - CENELEC
 - IEC
 - NEC
- ◆ Can be used in
 - Zone 2
 - Zone 21 and Zone 22
- Class I, Zone 2
- Class I, Division 2, Groups A, B, C, D
- ◆ Six enclosure types:
 - Single tube: three enclosure types
 - Dual tube: three enclosure types
- ◆ Applicable lamp power:
 - Fluorescent lamps: 18W x 1, 36W x 1, 58W x 1
 - 18W x 2, 36W x 2, 58W x 2
 - LED lamps: 9W(10W) x 1, 18W(19W) x 1, 28W(25W) x 1
 - 9W(10W) x 2, 18W(19W) x 2, 28W(25W) x 2
- ◆ Electronic ballast, wide voltage range, rapid starting, stable performance, power factor ≥ 0.95 .
- ◆ Only dual tube light fittings with emergency lighting function.
- ◆ End of lamp life (EOL) rectification effect protection.

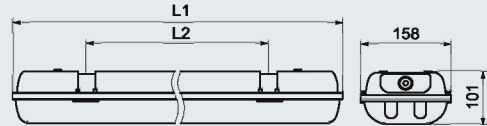
Catalogue number logic



Dimension drawings (all dimensions in mm) - subject to alteration



BnY81-□□ x 1□
BnY81-LED □□ x 1□



BnY81-□□ x 2□□
BnY81-LED □□ x 2□□

Dimensions

Type	Size (mm)		Type	Size (mm)	
	L1	L2		L1	L2
BnY81-18x1□, BnY81-LED 9x1□	658	400	BnY81-18x2□□, BnY81-LED 9x2□□	658	400
BnY81-36x1□, BnY81-LED 18x1□	1268	900	BnY81-36x2□□, BnY81-LED 18x2□□	1268	900
BnY81-58x1□, BnY81-LED 28x1□	1568	900	BnY81-58x2□□, BnY81-LED 28x2□□	1568	900

Zones 2; 21&22

Light Fittings for Fluorescent Lamp

BnY81 Series Explosion-proof Light Fittings for Fluorescent Lamp

Technical data							
Explosion-proof light fittings for fluorescent lamp BnY81-LED □x□□□							
Explosion protection	Ⓔ II 3 G Ex nA IIC T4 Gc Ⓔ II 2 D Ex tb IIIC T80°C Db IP66						
Gas explosion protection							
Dust explosion protection							
Certificates	LCIE 12 ATEX 1009X (Gas); LCIE 12 ATEX 3019X (Dust); IECEx CQM 12.0046X FM (USA); GOST.R (Russia)						
Conformity to standards	EN 60079-0: 2009, EN 60079-15: 2010, EN 60079-31: 2009 IEC 60079-0: 2011, IEC 60079-15: 2010, IEC 60079-31: 2008						
Material							
Enclosure	Polycarbonate, stands 7J impact, corrosion-proof						
Diffuser	Polycarbonate, 90% light transmission, stands 7J impact, corrosion-proof						
Power controller	Wide voltage input, CC-CV (constant current - constant voltage) output, power factor ≥0.98						
Exposed fastener	Stainless steel						
Lamp							
Lamp brand	CREE plural white LED modules (supplied with the light fittings)						
Lamp power (W)	<table border="1" style="width: 100%; border-collapse: collapse; text-align: center;"> <tr> <td style="padding: 2px;">9W(10W) × 1</td> <td style="padding: 2px;">9W(10W) × 2</td> </tr> <tr> <td style="padding: 2px;">18W(19W) × 1</td> <td style="padding: 2px; border: 2px solid red;">18W(19W) × 2</td> </tr> <tr> <td style="padding: 2px;">28W(25W) × 1</td> <td style="padding: 2px;">28W(25W) × 2</td> </tr> </table>	9W(10W) × 1	9W(10W) × 2	18W(19W) × 1	18W(19W) × 2	28W(25W) × 1	28W(25W) × 2
9W(10W) × 1	9W(10W) × 2						
18W(19W) × 1	18W(19W) × 2						
28W(25W) × 1	28W(25W) × 2						
Rated voltage	110~265V AC 50/60Hz						
Degree of protection	IP66						
Ambient temperature	-20°C~+55°C						
Terminal	3 x 1.5~4mm ² (L+N+PE)						
Mounting	Ceiling type, pendant pole type, pendant chain type, wall type, pole type						
Cable entries	2 x Φ21: 2 x M20 x 1.5 cable gland (DQM-I Ex e, plastic)						
Available cable outer diameter	Φ6~Φ12 (mm)						
Emergency data							
Emergency unit	Special emergency controller and NI-MH battery pile, with protection against over charge and over discharge						
Emergency power (W)	9W x 1, 18W x 1, 28W x 1						
Emergency start time	0.3s						
Charge time	24h						
Emergency lighting time	120min (180min is optional)						



Selection table								
Type/ Ordering code	Lamp power (W)	Weight (kg)	Type/ Ordering code	Lamp power (W)	Weight (kg)	Type/ Ordering code	Lamp power (W)	Weight (kg)
BnY81-LED 9 x 1X	9 x 1	1.50	BnY81-LED 18 x 1X	18 x 1	2.70	BnY81-LED 28 x 1X	28 x 1	2.85
BnY81-LED 9 x 1G	9 x 1	1.70	BnY81-LED 18 x 1G	18 x 1	2.90	BnY81-LED 28 x 1G	28 x 1	3.05
BnY81-LED 9 x 1D	9 x 1	1.85	BnY81-LED 18 x 1D	18 x 1	3.05	BnY81-LED 28 x 1D	28 x 1	3.25
BnY81-LED 9 x 1B	9 x 1	1.85	BnY81-LED 18 x 1B	18 x 1	3.05	BnY81-LED 28 x 1B	28 x 1	3.25
BnY81-LED 9 x 1L	9 x 1	1.55	BnY81-LED 18 x 1L	18 x 1	2.75	BnY81-LED 28 x 1L	28 x 1	2.95
BnY81-LED 9 x 2X	9 x 2	1.70	BnY81-LED 18 x 2X	18 x 2	3.10	BnY81-LED 28 x 2X	28 x 2	3.90
BnY81-LED 9 x 2G	9 x 2	1.90	BnY81-LED 18 x 2G	18 x 2	3.30	BnY81-LED 28 x 2G	28 x 2	4.10
BnY81-LED 9 x 2D	9 x 2	2.05	BnY81-LED 18 x 2D	18 x 2	3.45	BnY81-LED 28 x 2D	28 x 2	4.25
BnY81-LED 9 x 2B	9 x 2	2.05	BnY81-LED 18 x 2B	18 x 2	3.45	BnY81-LED 28 x 2B	28 x 2	4.30
BnY81-LED 9 x 2L	9 x 2	1.75	BnY81-LED 18 x 2L	18 x 2	3.15	BnY81-LED 28 x 2L	28 x 2	3.95
BnY81-LED 9 x 2XJ	9 x 2	2.20	BnY81-LED 18 x 2XJ	18 x 2	3.60	BnY81-LED 28 x 2XJ	28 x 2	4.40
BnY81-LED 9 x 2GJ	9 x 2	2.40	BnY81-LED 18 x 2GJ	18 x 2	3.80	BnY81-LED 28 x 2GJ	28 x 2	4.60
BnY81-LED 9 x 2DJ	9 x 2	2.55	BnY81-LED 18 x 2DJ	18 x 2	3.95	BnY81-LED 28 x 2DJ	28 x 2	4.75
BnY81-LED 9 x 2BJ	9 x 2	2.55	BnY81-LED 18 x 2BJ	18 x 2	3.95	BnY81-LED 28 x 2BJ	28 x 2	4.80
BnY81-LED 9 x 2LJ	9 x 2	2.25	BnY81-LED 18 x 2LJ	18 x 2	3.55	BnY81-LED 28 x 2LJ	28 x 2	4.45

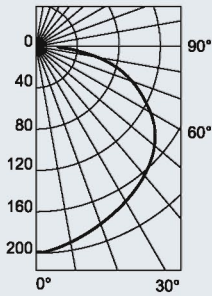
Note: 1. Products above include all the mounting accessories listed in Mounting Accessories & Spare Parts Table (see P2/29).

Light Fittings for Fluorescent Lamp BnY81 Series Explosion-proof Light Fittings for Fluorescent Lamp

Photometric data(BnY81- LED□x□□□)

9W x 1 photometric data

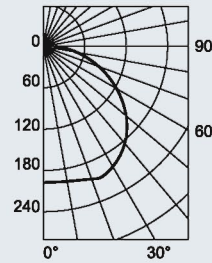
Rated luminous flux:945lm;
The data from PHILIPS lamp;
Luminous intensity distribution cd/1000lm



Angle	CP	Angle	CP
0	186	50	143
5	185	55	130
10	186	60	130
15	184	65	106
20	180	70	100
25	164	75	85
30	152	80	70
35	148	85	30
40	146	90	20
45	145		

9W x 2 photometric data

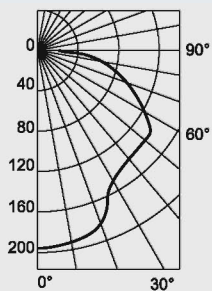
Rated luminous flux:1890lm;
The data from PHILIPS lamp;
Luminous intensity distribution cd/1000lm



Angle	CP	Angle	CP
0	373	50	300
5	371	55	245
10	366	60	218
15	375	65	168
20	388	70	156
25	388	75	132
30	382	80	82
35	370	85	41
40	357	90	28
45	338		

18W x 1 photometric data

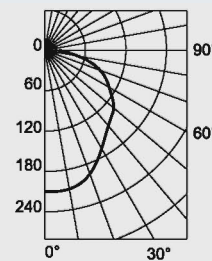
Rated luminous flux:1890lm;
The data from PHILIPS lamp;
Luminous intensity distribution cd/1000lm



Angle	CP	Angle	CP
0	370	50	275
5	368	55	267
10	366	60	240
15	363	65	207
20	352	70	195
25	320	75	158
30	295	80	141
35	295	85	76
40	281	90	50
45	278		

18W x 2 photometric data

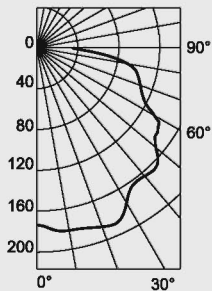
Rated luminous flux:3780lm;
The data from PHILIPS lamp;
Luminous intensity distribution cd/1000lm



Angle	CP	Angle	CP
0	789	50	489
5	785	55	450
10	770	60	400
15	760	65	366
20	740	70	325
25	700	75	265
30	650	80	182
35	590	85	92
40	550	90	58
45	515		

28W x 1 photometric data

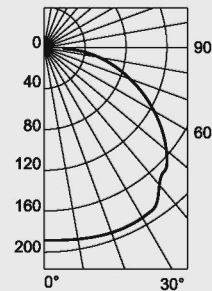
Rated luminous flux:2940lm;
The data from PHILIPS lamp;
Luminous intensity distribution cd/1000lm



Angle	CP	Angle	CP
0	510	50	460
5	530	55	441
10	545	60	410
15	550	65	352
20	562	70	330
25	563	75	316
30	525	80	287
35	502	85	162
40	502	90	112
45	497		

28W x 2 photometric data

Rated luminous flux:5880lm;
The data from PHILIPS lamp;
Luminous intensity distribution cd/1000lm



Angle	CP	Angle	CP
0	1106	50	930
5	1160	55	782
10	1131	60	708
15	1120	65	616
20	1156	70	523
25	1160	75	420
30	1120	80	306
35	1060	85	145
40	1007	90	112
45	930		

We can provide lighting design and data by professional lighting software DIALUX based upon simulated site situation on request.



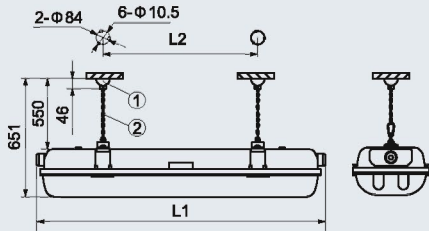
Light Fittings for Fluorescent Lamp BnY81 Series Explosion-proof Light Fittings for Fluorescent Lamp

2

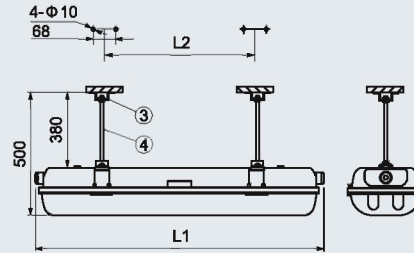
Mounting type (all dimensions in mm) - subject to alteration

Installation reference

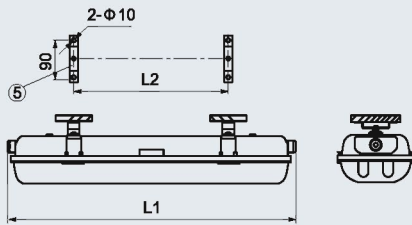
D: pendant chain type



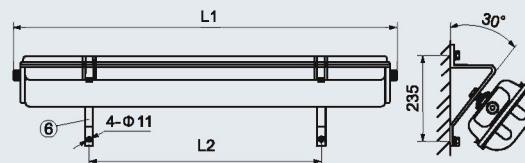
G: pendant pole type



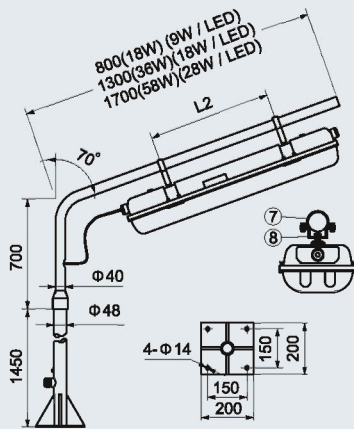
X: ceiling type



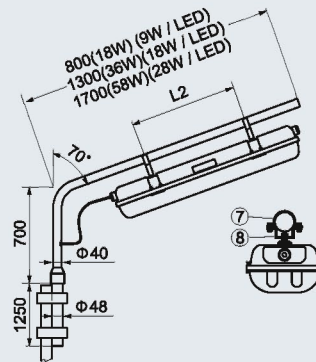
B: wall type



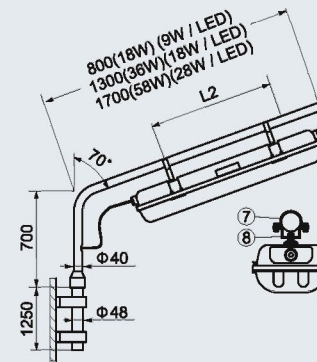
L: pole type (the pole is provided by user)



Suitable for ground pole type



Suitable for fence pole type



Suitable for wall pole type



Mounting accessories and spare parts table

Supplied according to the mounting type

Mounting type	Accessories			Ordering code	Weight (kg)
	Name	Qty	Illustration		
D: pendant chain type	①.Sucker	2	See P2/6	5136017	0.15
	②.Chain	2	Length: 450mm	5136016	0.08
G: pendant pole type	③.Mounting bracket	2	See P2/20	51S01G1	0.04
	④.M8 Screw	2	Length: 350mm	51S01G2	0.12
X: ceiling type	⑤.Mounting bracket	2	See P2/6	5136030	0.07
B: wall type	⑥.Wall bracket	2	Welded sheet steel	5236B02	0.25
L: pole type	⑦.G1 1/4" Pipe clamp	2	See P2/7	5136014	0.04
	⑧.Mounting bracket	2	See P2/7	5136012	0.04

Note: Accessories not in the table shall be supplied by user.