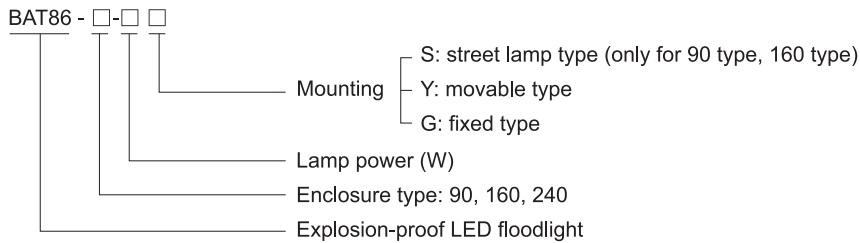


## LED Light Fittings BAT86 Series Explosion-proof LED Floodlights



- ◆ Explosion protection to
  - CENELEC
  - IEC
  - NEC
- ◆ Can be used in
  - Zone 1 and Zone 2
  - Zone 21 and Zone 22
  - Class I, Zone 1 and Zone 2
  - Class I, Division 1, Groups B, C, D
- ◆ Three enclosure types: 90, 160, 240
- ◆ Applicable lamp and power (max.240W)
  - LED: 60W, 90W, 120W, 160W, 200W, 240W
- ◆ Isolated LED lamp compartment, CC-CV (constant current-constant voltage) power controller compartment and terminal compartment; Wind-convection heat dissipation structure.
- ◆ Standard product is of floodlight effect, lens of 40° and 60° can be provided on request to realize spotlight effect
- ◆ Low-maintenance due to long service life of up to 100,000 operating hours.

### Catalogue number logic



### Selection table

Type / Ordering code	Lamp power(W)	Weight (kg)	Type / Ordering code	Lamp power(W)	Weight (kg)	Type / Ordering code	Lamp power(W)	Weight (kg)
BAT86-90-60G	60	6.70	BAT86-90-60Y	60	8.50	BAT86-90-60S	60	7.55
BAT86-90-90G	90	6.70	BAT86-90-90Y	90	8.50	BAT86-90-90S	90	7.55
BAT86-160-120G	120	8.40	BAT86-160-120Y	120	10.20	BAT86-160-120S	120	9.25
BAT86-160-160G	160	8.40	BAT86-160-160Y	160	10.20	BAT86-160-160S	160	9.25
BAT86-240-160G	160	34.00	BAT86-240-160Y	160	35.70			
BAT86-240-200G	200	35.00	BAT86-240-200Y	200	36.50			
BAT86-240-240G	240	35.00	BAT86-240-240Y	240	36.50			

**Note:** 1. The product is supplied according to "Type/Ordering code" in the table with mounting accessories.  
2. The light fittings are supplied without lens. Lighting distribution is of floodlight. Lens of 40° and 60° can be provided on request. Please specify when ordering.

## Zones 1&2; 21&22

## LED Light Fittings

### BAT86 Series Explosion-proof LED Floodlights

#### Technical data

#### Explosion-proof LED floodlights BAT86-160-□□

##### Explosion protection

Gas explosion protection

Dust explosion protection

⊕ II 2 G Ex d IIB T□<sup>1)</sup> Gb

⊕ II 2 D Ex tb IIIC T□<sup>1)</sup> Db IP66

<sup>1)</sup> See Ambient temperature

##### Certificates

##### Conformity to standards

##### Material

Enclosure

Glass cover

LED driver

Copper-free aluminium, powder coated surface, yellow (RAL1021)

Toughened glass, stands 4J impact

Wide voltage input, CC-CV (constant current - constant voltage) output, power factor  $\geq 0.95$ , with function of distributed current, constant current, surge-proof and anti-electromagnetic interference, and protection against overcurrent, open circuit, and short circuit

Exposed fastener

Stainless steel

##### Lamp

Lamp specification

Lamp power (W)

Colour Temperature (CCT)

LED module, Multiple LED

120W, 160W (100W is optional)

Cool white: 5400~6500K

Note: cool white is available in general. Warm white (2700~3500K) or nature white (4700~5400K) is optional, please specify when ordering.

##### Rated voltage

##### Earthing protection

##### Degree of protection

##### Ambient temperature

100~300V AC 50/60Hz

M5 (internal & external earth bolts)

IP66, IP67(optional)

120W T6/T80°C for Tamb: -40°C~+40°C

160W T5/T95°C for Tamb: -40°C~+40°C

120W T5/T95°C for Tamb: -40°C~+55°C

160W T4/T130°C for Tamb: -40°C~+55°C

##### Terminal

##### Mounting

##### Cable entries

##### Cable gland

3 x 1.5~4mm<sup>2</sup> (L+N+PE)

Movable type, fixed type, street lamp type

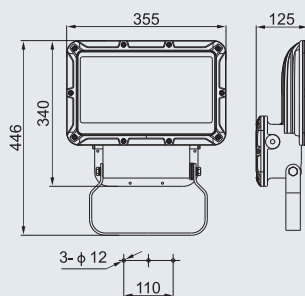
2 x M25 x 1.5 plugs

DQM-II (Ex d) or DQM-III (Ex d) is recommended. Please see P7/20~29

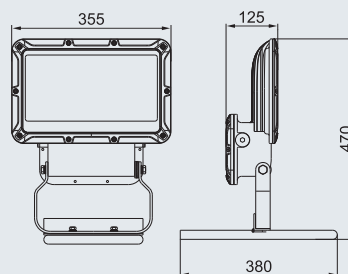


#### Dimension drawings (all dimensions in mm) - subject to alteration

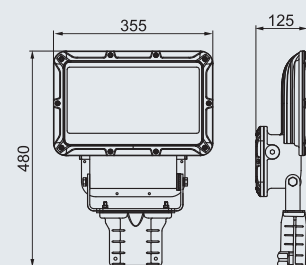
G: fixed type



Y: movable type



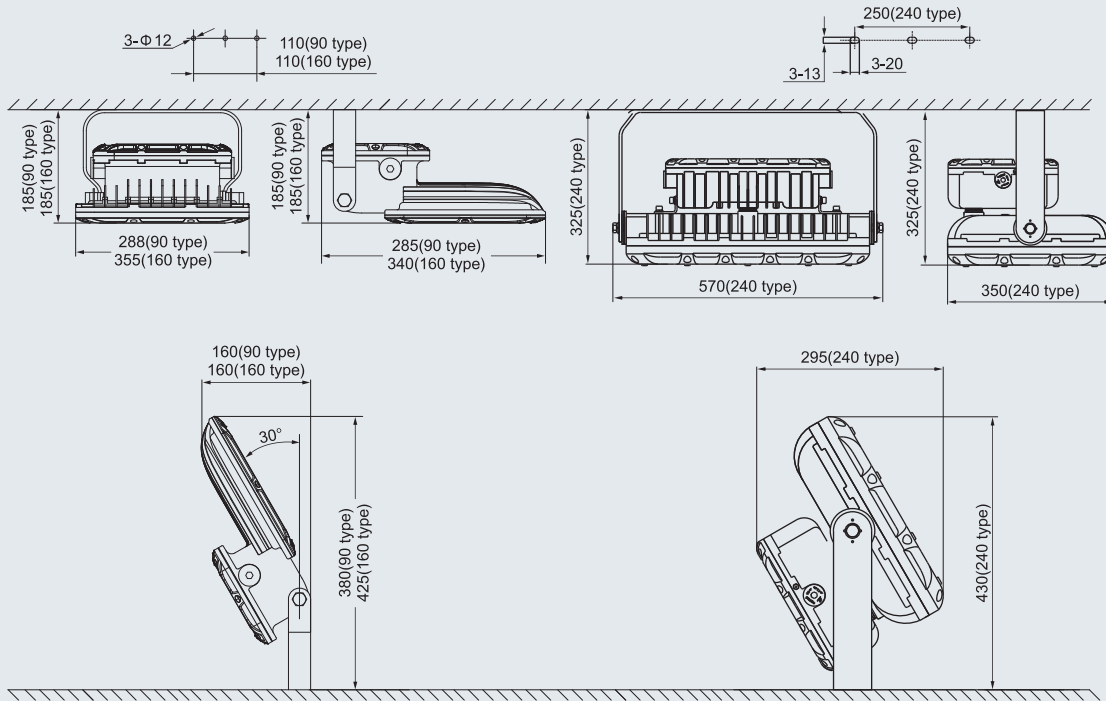
S: street lamp type



## LED Light Fittings BAT86 Series Explosion-proof LED Floodlights

### Mounting type (all dimensions in mm) - subject to alteration

#### bracket type



#### street lamp type

