

## EXPLOSION-PROOF WELLGLASS LIGHT

### Explosion-proof (Incandescent) Light Fixture



\* Type : BAD / 200W (Max.)

\* Rating : Ex d IIB T4 (For Zone 1 and 2), IP65 ;  
PTB 03 ATEX 1077

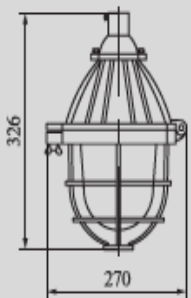
\* Lamp : (1) Incandescent bulb (Upto 200Watt, max.),  
E27, for direct 230VAC, 110VAC  
(2) HID lamps, requiring the use of external  
ballast. [To be specified when ordering.]

\* Mounting : Hook (D)

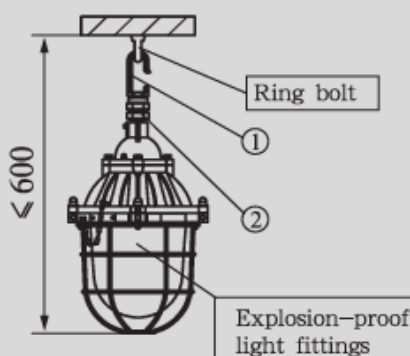
\* Enclosure : Copper-free aluminium alloy, with hub  
size of M25, glass len and zinc-plated  
protective guard.

\* Connection : For 3C, 1.5 ~ 2.5mm<sup>2</sup> cables

\* Weight : About 4.8Kg



D: hook mounting



X: ceiling mounting

