

# AN-SLV

## ENGINEERING LIGHTING FIRST CHOICE

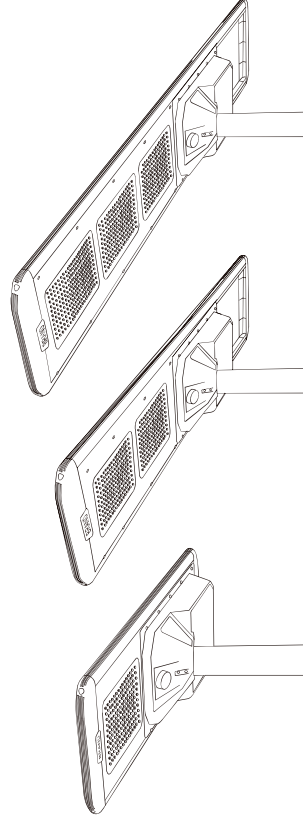


### Key Features

- Elegant All-in-One Design, Aluminum alloy case;
- Photocell Control + Microwave motion sensor Control + Remote Control;
- 140° wide lighting angle, enlarged LED module;
- Support 4-5 nights lighting after full charging;
- Easy to install and Auto on/off/sensor

### Technical Indexes

Power	40W	60W	80W	100W	120W	150W
Number of LED	162pcs	162pcs	324pcs	324pcs	486pcs	486pcs
LED Luminous	210lm/w					
Battery(LiFePO4)	320WH	384WH	480WH	640WH	768WH	960WH
Solar Panel(Mono)	65W	80W	90W	120W	140W	150W
Solar Charge Time	6-9 hours by bright sunlight					
Lighting Time	4-5 nights					
Lighting Mode	Photocell Control + Microwave motion sensor Control + Remote Control					
Material	Aluminium + PMMA					
Size(mm)	890*382*100	1115*382*100	1430*382*100	1690*382*100	1960*382*100	2200*382*100
IP Class	IP66					
IK Class	IK09					
Working Temperature	0°C to 65°C					
Warranty	5 Years					



AN-SLV-40W/60W

AN-SLV-80W/100W

AN-SLV-120W/150W