



CorePro LEDspot LV

CorePro LED spot ND 7-50W MR16 840 36D

CorePro LEDspots are a perfect fit for spot lighting and deliver warm halogen-like light. They are compatible with most existing fixtures with MR16 GU5.3 holders and are designed as a retrofit replacement for halogen or incandescent spots. CorePro LEDspots deliver huge energy savings and minimize maintenance cost.

Product data

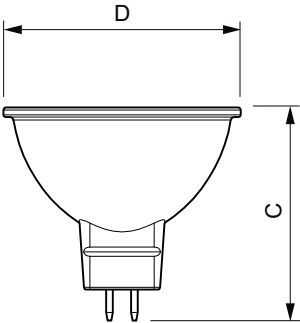
General Information	
Cap-Base	GU5.3 [GU5.3]
EU RoHS compliant	Yes
Nominal Lifetime (Nom)	15000 h
Switching Cycle	50000X
Technical Type	7-50W
Light Technical	
Color Code	840 [CCT of 4000K]
Beam Angle (Nom)	36 °
Luminous Flux (Nom)	660 lm
Luminous Intensity (Nom)	1500 cd
Color Designation	Cool White (CW)
Correlated Color Temperature (Nom)	4000 K
Luminous Efficacy (rated) (Nom)	94.00 lm/W
Color Consistency	<6
Color Rendering Index (Nom)	80
LLMF At End Of Nominal Lifetime (Nom)	70 %
Luminous Flux in 90° Cone (Rated)	660 lm
Operating and Electrical	
Power (Nom)	7 W
Lamp Current (Nom)	730 mA

Wattage Equivalent	50 W
Starting Time (Nom)	0.5 s
Warm Up Time to 60% Light (Nom)	0.5 s
Power Factor (Nom)	0.8
Voltage (Nom)	12 V
Temperature	
T-Case Maximum (Nom)	85 °C
Controls and Dimming	
Dimmable	No
Approval and Application	
Energy Efficiency Label (EEL)	A+
Suitable For Accent Lighting	Yes
Energy Consumption kWh/1000 h	8 kWh
Product Data	
Full product code	871869681479600
Order product name	CorePro LED spot ND 7-50W MR16 840 36D
EAN/UPC - Product	8718696814796
Order code	929001905002
Numerator - Quantity Per Pack	1

CorePro LEDspot LV

Numerator - Packs per outer box	10
Material Nr. (12NC)	929001905002
Net Weight (Piece)	0.034 kg

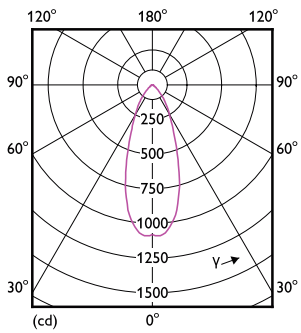
Dimensional drawing



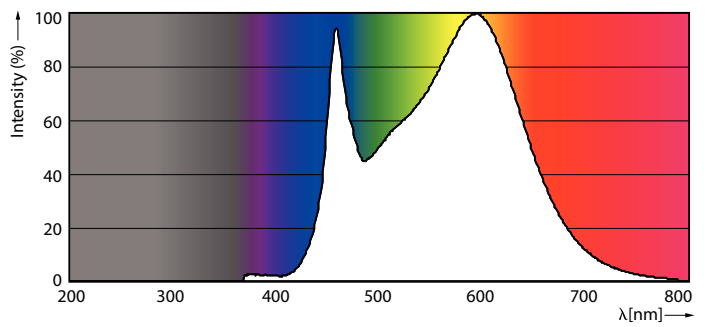
MR16 12V 8W-50W 630lm 36D 4000K GU5.3 ND

Product	D	C
CorePro LED spot ND 7-50W MR16 840 36D	50.5 mm	45 mm

Photometric data

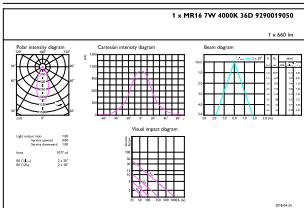


LEDspot MAS VLE 7-50W GU5.3 MR16 840 36D DIM



LEDspot Corepro 7-50W GU5.3 MR16 840 36D ND

Accent Lighting - Spots



Calcutux Photometrics 43

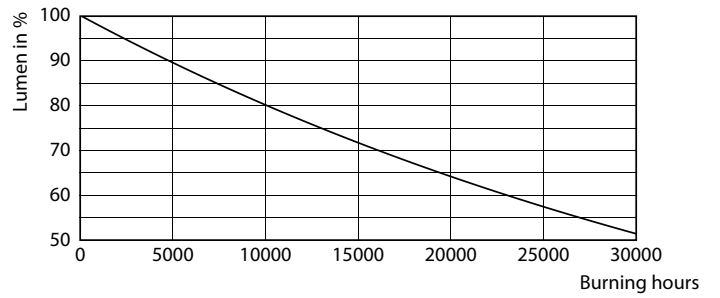
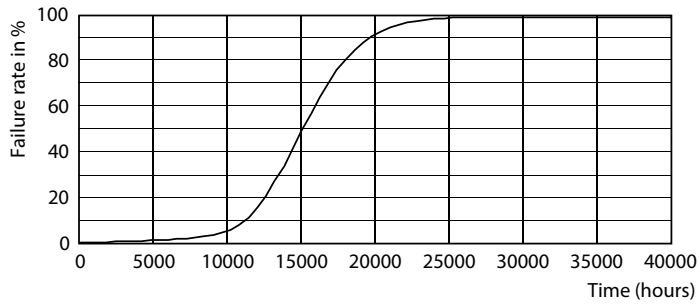
Philips Lighting B.V.

Page: 1/1

LEDspot Corepro 7-50W GU5.3 MR16 840 36D ND

CorePro LEDspot LV

Lifetime



LEDspot Corepro 7-50W GU5.3 MR16 827 36D ND

LEDspot Corepro 7-50W GU5.3 MR16 827 36D ND

