



CorePro LEDspot LV

CorePro LED spot ND 5-35W MR16 827 36D

CorePro LEDspots are a perfect fit for spot lighting and deliver warm halogen-like light. They are compatible with most existing fixtures with MR16 GU5.3 holders and are designed as a retrofit replacement for halogen or incandescent spots. CorePro LEDspots deliver huge energy savings and minimize maintenance cost.

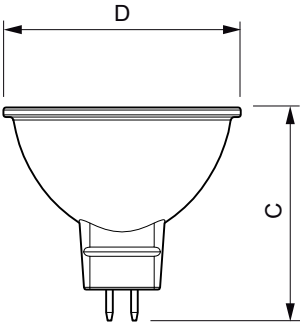
Product data

General Information		Wattage Equivalent	
Cap-Base	GU5.3 [GU5.3]		35 W
EU RoHS compliant	Yes	Starting Time (Nom)	0.5 s
Nominal Lifetime (Nom)	15000 h	Warm Up Time to 60% Light (Nom)	0.5 s
Switching Cycle	50000X	Power Factor (Nom)	0.6
Technical Type	5-35W	Voltage (Nom)	12 V
Light Technical		Temperature	
Color Code	827 [CCT of 2700K]	T-Case Maximum (Nom)	82 °C
Beam Angle (Nom)	36 °	Controls and Dimming	
Luminous Flux (Nom)	345 lm	Dimmable	No
Luminous Intensity (Nom)	650 cd	Approval and Application	
Color Designation	Warm White (WW)	Energy Efficiency Label (EEL)	A+
Correlated Color Temperature (Nom)	2700 K	Suitable For Accent Lighting	Yes
Luminous Efficacy (rated) (Nom)	69.00 lm/W	Energy Consumption kWh/1000 h	6 kWh
Color Consistency	<6	Product Data	
Color Rendering Index (Nom)	80	Full product code	871869671063000
LLMF At End Of Nominal Lifetime (Nom)	70 %	Order product name	CorePro LED spot ND 5-35W MR16 827 36D
Luminous Flux in 90° Cone (Rated)	345 lm	EAN/UPC - Product	8718696710630
Operating and Electrical		Order code	929001344302
Power (Nom)	5 W	Numerator - Quantity Per Pack	1
Lamp Current (Nom)	575 mA		

CorePro LEDspot LV

Numerator - Packs per outer box	10
Material Nr. (12NC)	929001344302
Net Weight (Piece)	0.045 kg

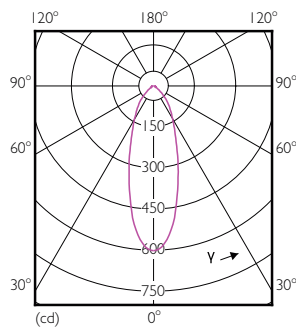
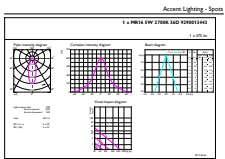
Dimensional drawing



MR16 12V ACV 4.7-35W 390lm 36D 2700K ND

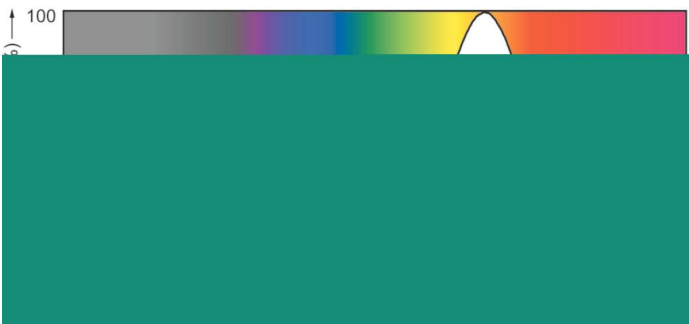
Product	D	C
CorePro LED spot ND 5-35W MR16 827 36D	51 mm	46 mm

Photometric data



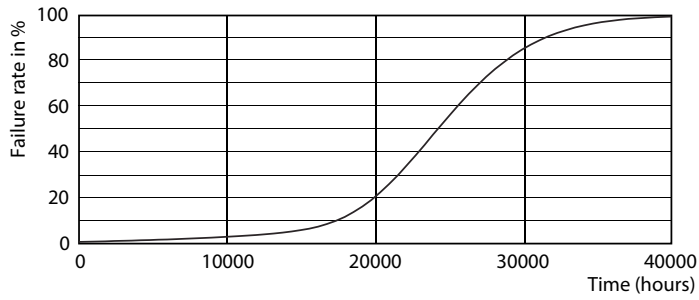
CorePro LEDspotLV 35W GU5-3 827 36D

CorePro LEDspotLV 35W GU5-3 827 36D

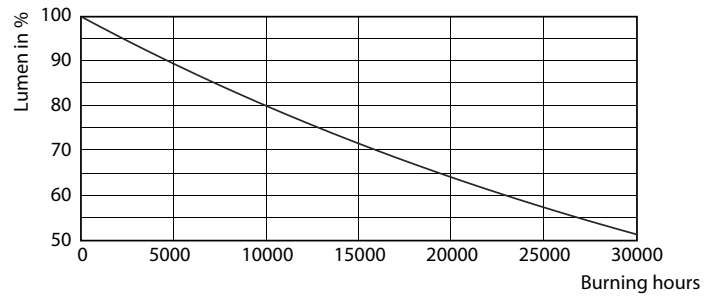


CorePro LEDspot LV

Lifetime



CorePro LEDspotLV 20W GU5-3 827 36D



CorePro LEDspotLV 20W GU5-3 827 36D

