

MASTER LEDspot LV

MASTER LED 6.5-50W 927 MR16 36D Dim

Delivering an intense accent beam, the MASTER LEDspot LV is an ideal retrofit solution for spot-lighting. The MASTER LEDspot LV is designed to replace halogen or incandescent spots. It achieves natural colours, enables cosy and comfortable ambience for residential and hospitality usage, and emphasises the beauty of merchandise in retail. A new smaller housing provides perfect fitting with the majority of luminaires on the market with a MR16 GU 5.3 holder. It not only employs Philips's patented solution to guarantee the broadest possible compatibility with standard 12 V halogen electronic transformers, it also delivers high beam intensity which is equivalent to halogen MR16 spots. The dimming function enables users to create the desired atmosphere and it works with broad selection of dimmers. Its high SDCM ensures stricter colour consistency, that is maintained over product life. The MASTER LEDspot LV delivers huge energy savings and minimises maintenance costs without any compromise on light quality and lifetime, enabling residential and business owners to achieve a return on their investment within a short time period.

Product data

General information	
Cap base	GU5.3 [GU5.3]
EU RoHS compliant	Yes
Nominal lifetime (nom.)	40000 h
Switching cycle	50000

Light technical	
Colour Code	927 [CCT of 2,700 K]
Technical Beam Angle (Nom)	36 °
Lamp Luminous Flux 25°C EL (Nom)	500 lm
Luminous intensity (nom.)	1400 cd
Colour Designation	Warm white (WW)
Colour Temperature, horizontal (Nom)	2700 K

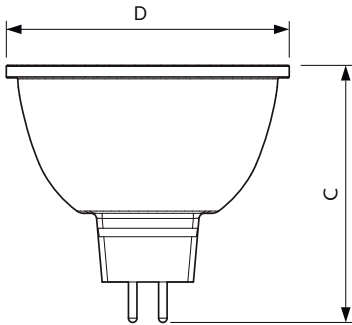
Operating and electrical	
Lamp Luminous Efficacy EM (Nom)	76.00 lm/W
Colour consistency	<4
Colour Rendering Index,horiz (Nom)	90
LLMF at end of nominal lifetime (nom.)	70 %
Input frequency	- Hz
Power (Rated) (Nom)	6.5 W
Lamp current (nom.)	650 mA
Wattage equivalent	50 W
Starting time (nom.)	0.5 s
Warm-up time to 60% light (nom.)	0.5 s
Power factor (nom.)	0.7

MASTER LEDspot LV

Voltage (Nom)	ac electronic 12 V
Temperature	
T-Case maximum (nom.)	90 °C
Controls and dimming	
Dimmable	Only with specific dimmers
Mechanical and housing	
Bulb shape	MR16 [2inch/50mm]
Approval and application	
Suitable for accent lighting	Yes

Product data	
Full product code	871951435787700
Order product name	MASTER LED 6.5-50W 927 MR16 36D Dim
EAN/UPC – product	8719514357877
Order code	929003072208
SAP numerator – quantity per pack	1
Local code description	LÂMPADA LED DIRECIONALML-MR16 6.5W36DDim
Numerator – packs per outer box	10
SAP material	929003072208
Net Weight (Piece)	0.060 kg

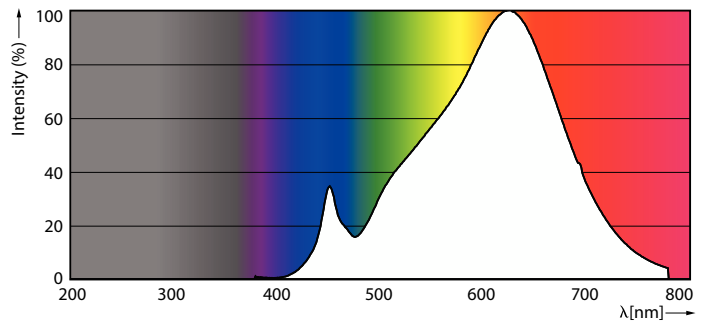
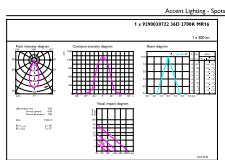
Dimensional drawing



MASTER LED 6.5-50W 927 MR16 36D Dim

Product	D	C
MASTER LED 6.5-50W 927 MR16 36D Dim	50 mm	

Photometric data

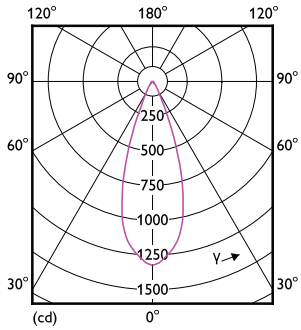


LEDspots GMGCLA 6,5W MR16 GU5,3 927 36D-ADL

LEDspots GMGCLA 6,5W MR16 GU5,3 927 24D-POC

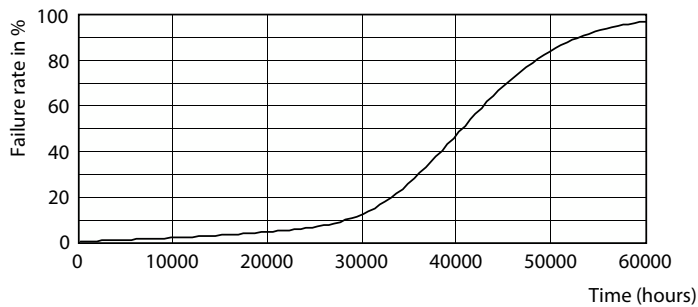
MASTER LEDspot LV

Photometric data

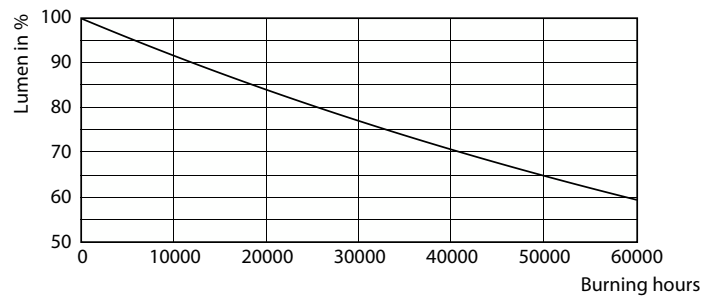


LEDspots GMGCLA 6,5W MR16 GU5,3 927 36D-LDD

Lifetime



Life Expectancy Diagram



Lumen Maintenance Diagram

