



# Ledinaire Slim Downlight DN065B G2 & DN065C

**DN065B G2 LED10/840 11W 220V D150 RD EU**

840 neutral white - Power supply unit - White

The LEDINAIRE range contains a selection of popular off-the-shelf LED luminaires that come with the high Philips quality levels at a competitive price. Reliable, energy-efficient and affordable – just what you need

## Product data

General Information		Service tag	
Light source color	840 neutral white	Service tag	Yes
Light source replaceable	No	Operating and Electrical	
Driver/power unit/transformer	Power supply unit	Input Voltage	220 to 240 V
Driver included	Yes	Input Frequency	50 or 60 Hz
Optic type	Beam angle 110°	Inrush current	4.03 A
Connection	Connection unit 2-pole	Inrush time	0.272 ms
Cable	Cable 0.2 m with cable connector	Power Factor (Min)	0.75
Protection class IEC	Safety class II	Controls and Dimming	
Glow-wire test	Temperature 650 °C, duration 30 s	Dimmable	No
Flammability mark	For mounting on normally flammable surfaces	Mechanical and Housing	
Warranty period	3 years	Housing Material	Metal-Plastic
Constant light output	No	Optic material	Polycarbonate
Number of products on MCB of 16 A type B	48	Optical cover/lens material	Polycarbonate
EU RoHS compliant	Yes		

# Ledinaire Slim Downlight DN065B G2 & DN065C

Fixation material	Steel
Optical cover/lens finish	Matte
Overall height	45 mm
Overall diameter	175 mm
Color	White
Dimensions (Height x Width x Depth)	45 x NaN x NaN mm (1.8 x NaN x NaN in)

## Approval and Application

Ingress protection code	IP20 [ Finger-protected]
Mech. impact protection code	IK03 [ 0.3 J]

## Initial Performance (IEC Compliant)

Initial luminous flux (system flux)	1000 lm
Luminous flux tolerance	+/-10%
Initial LED luminaire efficacy	90.00 lm/W
Init. Corr. Color Temperature	4000 K
Init. Color Rendering Index	80
Initial chromaticity	(0.3794, 0.3742) 5SDCM
Initial input power	11 W
Power consumption tolerance	+/-10%

## Over Time Performance (IEC Compliant)

Median useful life L70B50	35000 h
---------------------------	---------

## Application Conditions

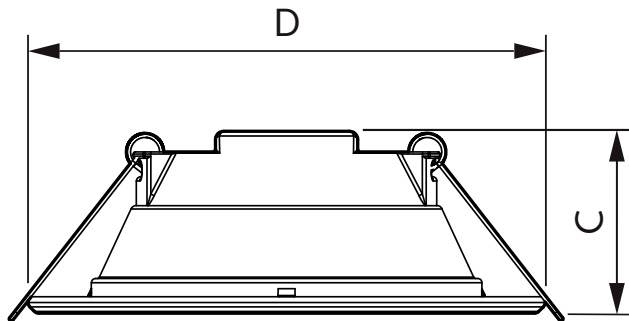
Ambient temperature range	-20 to +40 °C
Suitable for random switching	No

## Product Data

Full product code	871869967941500
Order product name	DN065B G2 LED10/840 11W 220V D150 RD EU
EAN/UPC - Product	8718699679415
Order code	929002220532
Numerator - Quantity Per Pack	1
Numerator - Packs per outer box	12
Material Nr. (12NC)	929002220532
Net Weight (Piece)	0.210 kg



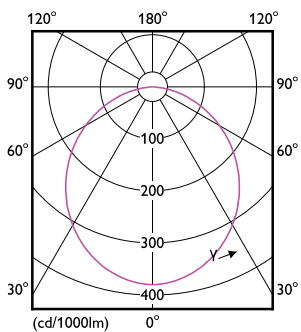
## Dimensional drawing



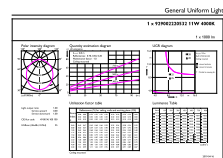
DN065B LED10 840 12W 220-240V D150 EU ND

Product	D	C
DN065B G2 LED10/840 11W 220V D150 RD EU	175 mm	45 mm

## Photometric data



Downlight DN065B G2 LED10 840 D150 RD EU



General Lighting Data sheet

Downlight DN065B G2 LED10 840 D150 RD EU

## Ledinaire Slim Downlight DN065B G2 & DN065C

