



# Essential SmartBright LowBay

## BY088P LED20/WW OL

Power supply unit - Wide beam - Polycarbonate bowl/cover - 100°

Philips Essential SmartBright LowBay is a functional lighting by combining cost-efficiency with clean design. It offers customers all the benefits of LED lighting – reduced energy consumption, longer service time and less maintenance. ;Flexible, safe, and reliable, Essential SmartBright LowBay is a perfect LED replacement to conventional CFL LowBay system, allowing you to bright up your supermarkets, retail shops, and sports recreational spaces the smarter way.

### Product data

| General information           |                                  | Flammability mark                        |   |
|-------------------------------|----------------------------------|--|---|
| Light source color            | 830 warm white                   |  | For mounting on normally flammable surfaces |
| Light source replaceable      | No                               | CE mark                                  | -   |
| Number of gear units          | 1 unit                           | ENEC mark                                | -   |
| Driver/power unit/transformer | Power supply unit                | Warranty period                          | 1 years                                     |
| Driver included               | Yes                              | Constant light output                    | No  |
| Optic type                    | Wide beam                        | Number of products on MCB of 16 A type B | 148   |
| Optical cover/lens type       | Polycarbonate bowl/cover         | EU RoHS compliant                        | Yes   |
| Luminaire light beam spread   | 100°                             | Light source engine type                 | LED   |
| Control interface             | -                                | Service tag                              | Yes   |
| Connection                    | Flying leads/wires               | Operating and electrical                 |   |
| Cable                         | Cable 0.3 m without plug         | Input Voltage                            | 220-240 V                                   |
| Protection class IEC          | Safety class I                   | Input Frequency                          | 50 or 60 Hz                                 |
| Glow-wire test                | Temperature 650 °C, duration 5 s | Inrush current                           | 8.2 A                                       |

## Essential SmartBright LowBay

|                    |         |
|--------------------|---------|
| Inrush time        | 30.8 ms |
| Power Factor (Min) | 0.9     |

### Controls and dimming

|          |    |
|----------|----|
| Dimmable | No |
|----------|----|

### Mechanical and housing

|                                     |                    |
|-------------------------------------|--------------------|
| Housing Material                    | Aluminum           |
| Reflector material                  | Aluminum           |
| Optic material                      | Polycarbonate      |
| Optical cover/lens material         | Polycarbonate      |
| Fixation material                   | -                  |
| Optical cover/lens finish           | Frosted            |
| Overall height                      | 133 mm             |
| Overall diameter                    | 250 mm             |
| Color                               | Gray and black     |
| Dimensions (Height x Width x Depth) | 133 x NaN x NaN mm |

### Approval and application

|                              |                          |
|------------------------------|--------------------------|
| Ingress protection code      | IP20 [ Finger-protected] |
| Mech. impact protection code | IK03 [ 0.3 J]            |

### Initial performance (IEC compliant)

|                                     |         |
|-------------------------------------|---------|
| Initial luminous flux (system flux) | 1600 lm |
| Luminous flux tolerance             | +/-10%  |
| Initial LED luminaire efficacy      | 80 lm/W |

|                               |        |
|-------------------------------|--------|
| Init. Corr. Color Temperature | 3000 K |
| Init. Color Rendering Index   | ≥80    |
| Initial chromaticity          | SDCM<5 |
| Initial input power           | 20 W   |
| Power consumption tolerance   | +/-10% |

### Over time performance (IEC compliant)

|                           |         |
|---------------------------|---------|
| Median useful life L70B50 | 15000 h |
|---------------------------|---------|

### Application conditions

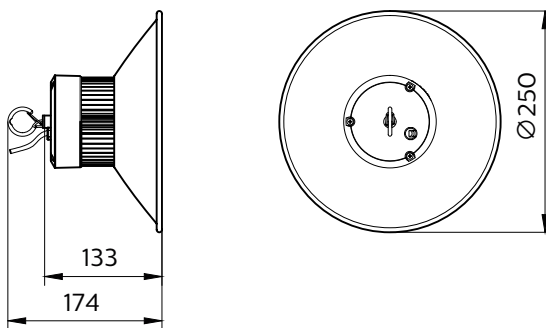
|                               |               |
|-------------------------------|---------------|
| Ambient temperature range     | -20 to +40 °C |
| Suitable for random switching | No            |

### Product data

|                                 |                    |
|---------------------------------|--------------------|
| Full product code               | 692382862558000    |
| Order product name              | BY088P LED20/WW OL |
| EAN/UPC - Product               | 6923828625580      |
| Order code                      | 911401669103       |
| Numerator - Quantity Per Pack   | 1                  |
| Numerator - Packs per outer box | 1                  |
| Material Nr. (12NC)             | 911401669103       |
| Net Weight (Piece)              | 0.709 kg           |



## Dimensional drawing



BY088P LED20/WW OL

## Essential SmartBright LowBay

