



Essential SmartBright LowBay

BY088P LED20/NW OL

Power supply unit - Wide beam - Polycarbonate bowl/cover - 100°

Philips Essential SmartBright LowBay is a functional lighting by combining cost-efficiency with clean design. It offers customers all the benefits of LED lighting – reduced energy consumption, longer service time and less maintenance. ;Flexible, safe, and reliable, Essential SmartBright LowBay is a perfect LED replacement to conventional CFL LowBay system, allowing you to bright up your supermarkets, retail shops, and sports recreational spaces the smarter way.

Product data

| General information | | Flammability mark | |
|-------------------------------|----------------------------------|--|---|
| Light source color | 840 neutral white | | For mounting on normally flammable surfaces |
| Light source replaceable | No | CE mark | - |
| Number of gear units | 1 unit | ENEC mark | - |
| Driver/power unit/transformer | Power supply unit | Warranty period | 1 years |
| Driver included | Yes | Constant light output | No |
| Optic type | Wide beam | Number of products on MCB of 16 A type B | 148 |
| Optical cover/lens type | Polycarbonate bowl/cover | EU RoHS compliant | Yes |
| Luminaire light beam spread | 100° | Light source engine type | LED |
| Control interface | - | Service tag | Yes |
| Connection | Flying leads/wires | Operating and electrical | |
| Cable | Cable 0.3 m without plug | Input Voltage | 220-240 V |
| Protection class IEC | Safety class I | Input Frequency | 50 or 60 Hz |
| Glow-wire test | Temperature 650 °C, duration 5 s | Inrush current | 8.2 A |

Essential SmartBright LowBay

| | |
|--------------------|---------|
| Inrush time | 30.8 ms |
| Power Factor (Min) | 0.9 |

Controls and dimming

| | |
|----------|----|
| Dimmable | No |
|----------|----|

Mechanical and housing

| | |
|-------------------------------------|--------------------|
| Housing Material | Aluminum |
| Reflector material | Aluminum |
| Optic material | Polycarbonate |
| Optical cover/lens material | Polycarbonate |
| Fixation material | - |
| Optical cover/lens finish | Frosted |
| Overall height | 133 mm |
| Overall diameter | 250 mm |
| Color | Gray and black |
| Dimensions (Height x Width x Depth) | 133 x NaN x NaN mm |

Approval and application

| | |
|------------------------------|--------------------------|
| Ingress protection code | IP20 [Finger-protected] |
| Mech. impact protection code | IK03 [0.3 J] |

Initial performance (IEC compliant)

| | |
|-------------------------------------|---------|
| Initial luminous flux (system flux) | 1600 lm |
| Luminous flux tolerance | +/-10% |
| Initial LED luminaire efficacy | 80 lm/W |

| | |
|-------------------------------|--------|
| Init. Corr. Color Temperature | 4000 K |
| Init. Color Rendering Index | ≥80 |
| Initial chromaticity | SDCM<5 |
| Initial input power | 20 W |
| Power consumption tolerance | +/-10% |

Over time performance (IEC compliant)

| | |
|---------------------------|---------|
| Median useful life L70B50 | 15000 h |
|---------------------------|---------|

Application conditions

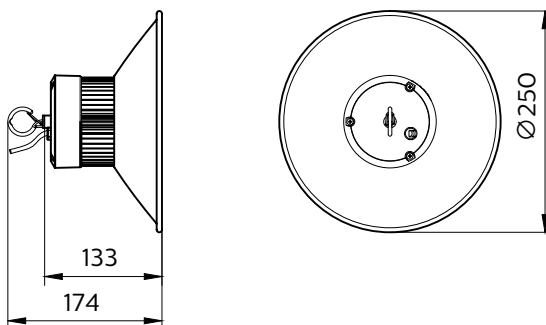
| | |
|-------------------------------|---------------|
| Ambient temperature range | -20 to +40 °C |
| Suitable for random switching | No |

Product data

| | |
|---------------------------------|--------------------|
| Full product code | 692382862557300 |
| Order product name | BY088P LED20/NW OL |
| EAN/UPC - Product | 6923828625573 |
| Order code | 911401669003 |
| Numerator - Quantity Per Pack | 1 |
| Numerator - Packs per outer box | 1 |
| Material Nr. (12NC) | 911401669003 |
| Net Weight (Piece) | 0.709 kg |



Dimensional drawing



BY088P LED20/NW OL

Essential SmartBright LowBay

