



Essential SmartBright LowBay

BY088P LED30/NW OL

Power supply unit - Wide beam - Polycarbonate bowl/cover - 100°

Philips Essential SmartBright LowBay is a functional lighting by combining cost-efficiency with clean design. It offers customers all the benefits of LED lighting – reduced energy consumption, longer service time and less maintenance. ;Flexible, safe, and reliable, Essential SmartBright LowBay is a perfect LED replacement to conventional CFL LowBay system, allowing you to bright up your supermarkets, retail shops, and sports recreational spaces the smarter way.

Product data

General information		Flammability mark	
Light source color	840 neutral white		For mounting on normally flammable surfaces
Light source replaceable	No	CE mark	-
Number of gear units	1 unit	ENEC mark	-
Driver/power unit/transformer	Power supply unit	Warranty period	1 years
Driver included	Yes	Constant light output	No
Optic type	Wide beam	Number of products on MCB of 16 A type B 95	
Optical cover/lens type	Polycarbonate bowl/cover	EU RoHS compliant	Yes
Luminaire light beam spread	100°	Light source engine type	LED
Control interface	-	Service tag	Yes
Connection	Flying leads/wires	Operating and electrical	
Cable	Cable 0.3 m without plug	Input Voltage	220-240 V
Protection class IEC	Safety class I	Input Frequency	50 or 60 Hz
Glow-wire test	Temperature 650 °C, duration 5 s	Inrush current	24.8 A

Essential SmartBright LowBay

Inrush time	95.78 ms
Power Factor (Min)	0.9

Controls and dimming

Dimmable	No
----------	----

Mechanical and housing

Housing Material	Aluminum
Reflector material	Aluminum
Optic material	Polycarbonate
Optical cover/lens material	Polycarbonate
Fixation material	-
Optical cover/lens finish	Frosted
Overall height	162 mm
Overall diameter	300 mm
Color	Gray and black
Dimensions (Height x Width x Depth)	162 x NaN x NaN mm

Approval and application

Ingress protection code	IP20 [Finger-protected]
Mech. impact protection code	IK03 [0.3 J]

Initial performance (IEC compliant)

Initial luminous flux (system flux)	2400 lm
Luminous flux tolerance	+/-10%
Initial LED luminaire efficacy	80 lm/W

Init. Corr. Color Temperature	4000 K
Init. Color Rendering Index	≥80
Initial chromaticity	SDCM<5
Initial input power	30 W
Power consumption tolerance	+/-10%

Over time performance (IEC compliant)

Median useful life L70B50	15000 h
---------------------------	---------

Application conditions

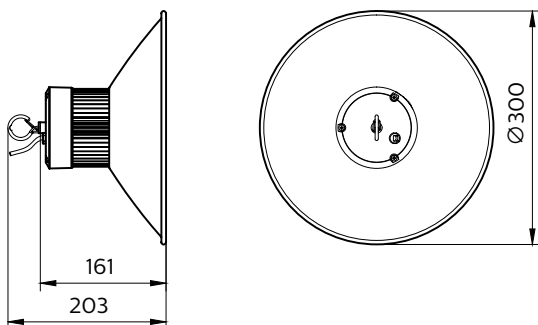
Ambient temperature range	-20 to +40 °C
Suitable for random switching	No

Product data

Full product code	692382862554200
Order product name	BY088P LED30/NW OL
EAN/UPC - Product	6923828625542
Order code	911401668703
Numerator - Quantity Per Pack	1
Numerator - Packs per outer box	1
Material Nr. (12NC)	911401668703
Net Weight (Piece)	0.809 kg



Dimensional drawing



BY088P LED30/NW OL

Essential SmartBright LowBay

