



# Essential SmartBright LowBay

## BY088P LED40/CW OL

Power supply unit - Wide beam - Polycarbonate bowl/cover - 100°

Philips Essential SmartBright LowBay is a functional lighting by combining cost-efficiency with clean design. It offers customers all the benefits of LED lighting – reduced energy consumption, longer service time and less maintenance. ;Flexible, safe, and reliable, Essential SmartBright LowBay is a perfect LED replacement to conventional CFL LowBay system, allowing you to bright up your supermarkets, retail shops, and sports recreational spaces the smarter way.

### Product data

General information		Flammability mark	
Light source color	865 cool daylight		For mounting on normally flammable surfaces
Light source replaceable	No	CE mark	-
Number of gear units	1 unit	ENEC mark	-
Driver/power unit/transformer	Power supply unit	Warranty period	1 years
Driver included	Yes	Constant light output	No
Optic type	Wide beam	Number of products on MCB of 16 A type B 74	
Optical cover/lens type	Polycarbonate bowl/cover	EU RoHS compliant	Yes
Luminaire light beam spread	100°	Light source engine type	LED
Control interface	-	Service tag	Yes
Connection	Flying leads/wires	Operating and electrical	
Cable	Cable 0.3 m without plug	Input Voltage	220-240 V
Protection class IEC	Safety class I	Input Frequency	50 or 60 Hz
Glow-wire test	Temperature 650 °C, duration 5 s	Inrush current	26 A

## Essential SmartBright LowBay

Inrush time	134.6 ms
Power Factor (Min)	0.9

### Controls and dimming

Dimmable	No
----------	----

### Mechanical and housing

Housing Material	Aluminum
Reflector material	Aluminum
Optic material	Polycarbonate
Optical cover/lens material	Polycarbonate
Fixation material	-
Optical cover/lens finish	Frosted
Overall height	191 mm
Overall diameter	350 mm
Color	Gray and black
Dimensions (Height x Width x Depth)	191 x NaN x NaN mm

### Approval and application

Ingress protection code	IP20 [ Finger-protected]
Mech. impact protection code	IK03 [ 0.3 J]

### Initial performance (IEC compliant)

Initial luminous flux (system flux)	3200 lm
Luminous flux tolerance	+/-10%
Initial LED luminaire efficacy	80 lm/W

Init. Corr. Color Temperature	6500 K
Init. Color Rendering Index	≥80
Initial chromaticity	SDCM<5
Initial input power	40 W
Power consumption tolerance	+/-10%

### Over time performance (IEC compliant)

Median useful life L70B50	15000 h
---------------------------	---------

### Application conditions

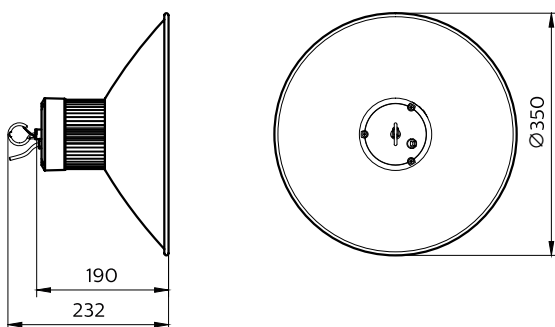
Ambient temperature range	-20 to +40 °C
Suitable for random switching	No

### Product data

Full product code	692382862550400
Order product name	BY088P LED40/CW OL
EAN/UPC - Product	6923828625504
Order code	911401668303
Numerator - Quantity Per Pack	1
Numerator - Packs per outer box	1
Material Nr. (12NC)	911401668303
Net Weight (Piece)	0.929 kg



## Dimensional drawing



BY088P LED40/CW OL

## Essential SmartBright LowBay

