

Datasheet

MP 50 K3 Direct current electronic driver

RS Stock No.: 796-1895

Direct current electronic drivers multivoltage-multicurrent for power LED and LED modules with DIP-SWITCH

constant CURRENT constant VOLTAGE



Rated Voltage

110 ÷ 127 V ⁽²⁾
220 ÷ 240 V

Frequency

50...60 Hz

AC Operation range

99 ÷ 264 V

DC Operation range

DC 170 ÷ 280 V

Power

0 ÷ 50 W

Max. ripple output current

≤ 3% ⁽¹⁾

Article	P out W	V out DC	I out DC	n° LED max. ⁽¹⁾	ta °C	tc °C	λ max. Power Factor	η max. Efficiency ⁽¹⁾
796-1895	Constant current output					85	0,95	>89
	25 (25 ⁽²⁾)	74 V max.	350mA cost.	20	-25...50			
	35 (35 ⁽²⁾)	72 V max.	500mA cost.	20	-25...50			
	39 (39 ⁽²⁾)	72 V max.	550mA cost.	20	-25...50			
	46 (40 ⁽²⁾)	72 V max.	650mA cost.	18/20	-25...50			
	50 (40 ⁽²⁾)	71 V max.	700mA cost.	18	-25...50			
	50 (40 ⁽²⁾)	66 V max.	750mA cost.	16/18	-25...50			
	50 (40 ⁽²⁾)	58 V max.	850mA cost.	16/18	-25...45			
	50 (40 ⁽²⁾)	55 V max.	900mA cost.	16	-25...45			
	50 (40 ⁽²⁾)	48 V max.	1,05A cost.	14	-25...45			
	Constant voltage output							
	50 (40 ⁽²⁾)	48 cost.	1A max.	-	-25...45			

⁽¹⁾ Referred to V_m = 230 V, 100% load

Reference Norms

Norme di riferimento:

- CSA C22.2 No.107.1⁽²⁾
- CSA C22.2 250-13⁽²⁾
- EN 50172 (VDE 0108)
- EN 55015
- EN 61000-3-2
- EN 61000-3-3
- EN 61347-1
- EN 61347-2-13
- EN 61547
- EN 62384
- UL 1012⁽²⁾
- UL 8750⁽²⁾

Lamps

Lampade:

- Power LED
- LED modules

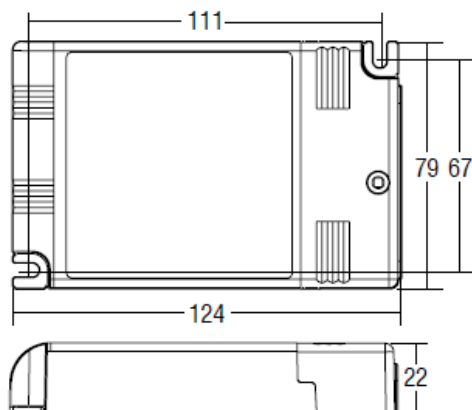
Features

- Multi-power driver supplied with dip-switch for the selection of the output current.
- IP20 independent driver, for indoor use (MP 50 K3).
- Class II protection against electric shock following direct or indirect contact (MP 50 K3).
- Driver for built-in use (MP 50 BI).
- It can be used for lighting equipment in protection class I and II (MP 50 BI).
- Active Power Factor Corrector.
- Current regulation $\pm 5\%$ including temperature variations.
- Input and output terminal blocks on the same side (terminal area 2,5 mm²).
- Clamping screws on primary and secondary circuits for cables with diameter: min. 3 mm - max. 8 mm (MP 50 K3).
- Driver can be secured with slot for screws.
- Protections:
 - against overheating and short circuits;
 - against mains voltage spikes;
 - against overloads.
- Thermal protection = C.5. a.
- Can be switched on and off on secondary circuit for power LED (for additional details page 208).
- Auxiliary output 12 V max. 100 mA.

Direct current electronic drivers multivoltage-multicurrent for power LED and LED modules with DIP-SWITCH



Weight - Peso gr. 150
Pcs - Pezzi 50



Wiring diagram Max. LED distance at page 201

