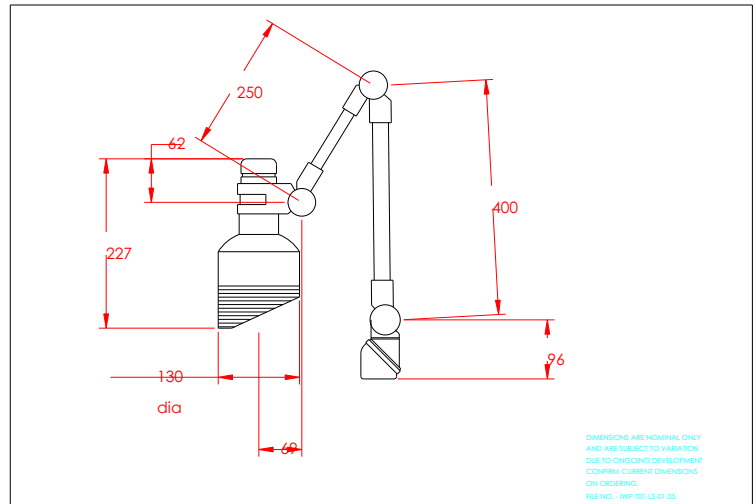




EDL Lighting Ltd



### Version: Task 1-LS

RS Order Code: 794-3440

The Task 1 range is a general purpose-designed, robust durable industrial task light, providing a long trouble-free life in demanding conditions

Primary Voltage:	24v to 240v Insure lamp is of suitable voltage	Shade:	127mm diameter aluminium
Lamp Type:	Incandescent - self ballasted fluorescent - LED Retrofit lamp	Shield fitted:	No - available as accessory RS Code: 794-3456
Max wattage:	60w incandescent without shield 40w with shield fitted - see reverse page for alternative lamps	Shield Material:	Clear Polycarbonate
Lamp Base:	E27 Edison Screw	Visor fitted:	Yes - flexible
Switch Fitted:	Yes on head	Articulation Movement:	See diagram on reverse
IP Rating:	IP 20	Trailing Cable:	Not fitted (Available as Accessory RS Code: 794-3452/3459)
Base Type:	Universal base	Plug Fitted:	No
Base Fixing:	Can be Horizontal or vertical mounted	Manufacturing Standard:	BS.EN. 60598
No of Arms:	2	RHOS Compliant:	Not applicable
Arm Lengths:	400mm x 250mm	Wee Compliant:	Not applicable
Arm Material:	Steel tube with aluminium knuckle joint	Finish and Colour:	Powder coated Goosewing Grey

EDL Lighting Limited, Redbrook lane, Brereton, Rugeley, Staffs WS15 1QU

Telephone: +44(0)1889 582112

Fax: +44(0)1889 584012

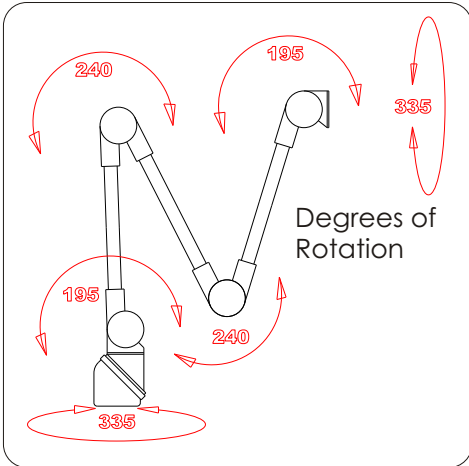
Email: sales@edl-lighting.co.uk Website www.edl-lighting.co.uk



EDL Lighting Ltd

**Features:**

High quality friction arm joints, move easily, yet retain position, tested to over 30,000 movements - Vibration resistant mountings, arms and lampholders for demanding operating conditions - Versatile and flexible positioning, relative to subject, based on variety of arm length combinations - Shade design maximises the light output from lamp - Shade is fitted with anti-glare visor for greater comfort - Cable is total enclosed within unit - All metal parts are coated in tough chip resistant epoxy polyester powder paint - Switch is located on head for ease of use - The head is moulded from strong shock resistant thermoplastic material, which acts as an electrical insulator



LED retrofit Lamp



Self Ballasted Lamp



Incandescent Lamp



Incandescent lamps are available in 24v 50v 110v & 240v - with 40w or 60w versions

**Accessories**

The 127mm (5") polycarbonate shield is available either clear or opaque or amber

**Clamp and cable assemblies**



**Transformers**

The MT60VA transformer series is designed for use with the Task 1, Task 21, Task 22 NT, TASK 24 NT and the Loading Bay (note: NT designates no transformer fitted into unit. The MT transformer is pre-drilled on the top surface to accept the EDL universal base



Order Code	Primary Voltage	Secondary Voltage
MT5S	240v	12/24v ac
MT10S	240v	25/50v ac
MT15S	415v	12/24v ac
MT20S	415v	25/50v ac
MT25S	415v	110v ac



EDL Lighting Limited, Redbrook lane, Brereton, Rugeley, Staffs WS15 1QU

Telephone: +44(0) 1889 582112

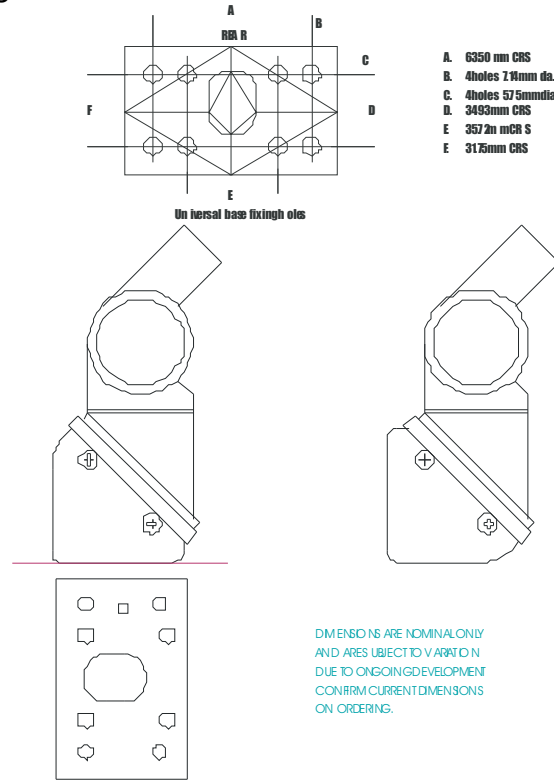
Fax: +44(0) 1889 584012

Email: sales@edl-lighting.co.uk Website www.edl-lighting.co.uk



EDL Lighting Ltd

## Universal Base Mounting



EDL Lighting Limited, Redbrook Lane, Brereton, Rugeley, Staffs WS15 1QU

Telephone: +44(0)1889 582112

Fax: +44(0)1889 584012

Email: [sales@edl-lighting.co.uk](mailto:sales@edl-lighting.co.uk) Website [www.edl-lighting.co.uk](http://www.edl-lighting.co.uk)