



Datasheet

80W high power LED Flood Light

RS Stock No.: 787-1329

ENGLISH

Features:

45 mil Epistar chip

Beam Angle: 120°-140°

CE,RoHS,IP65 Certification



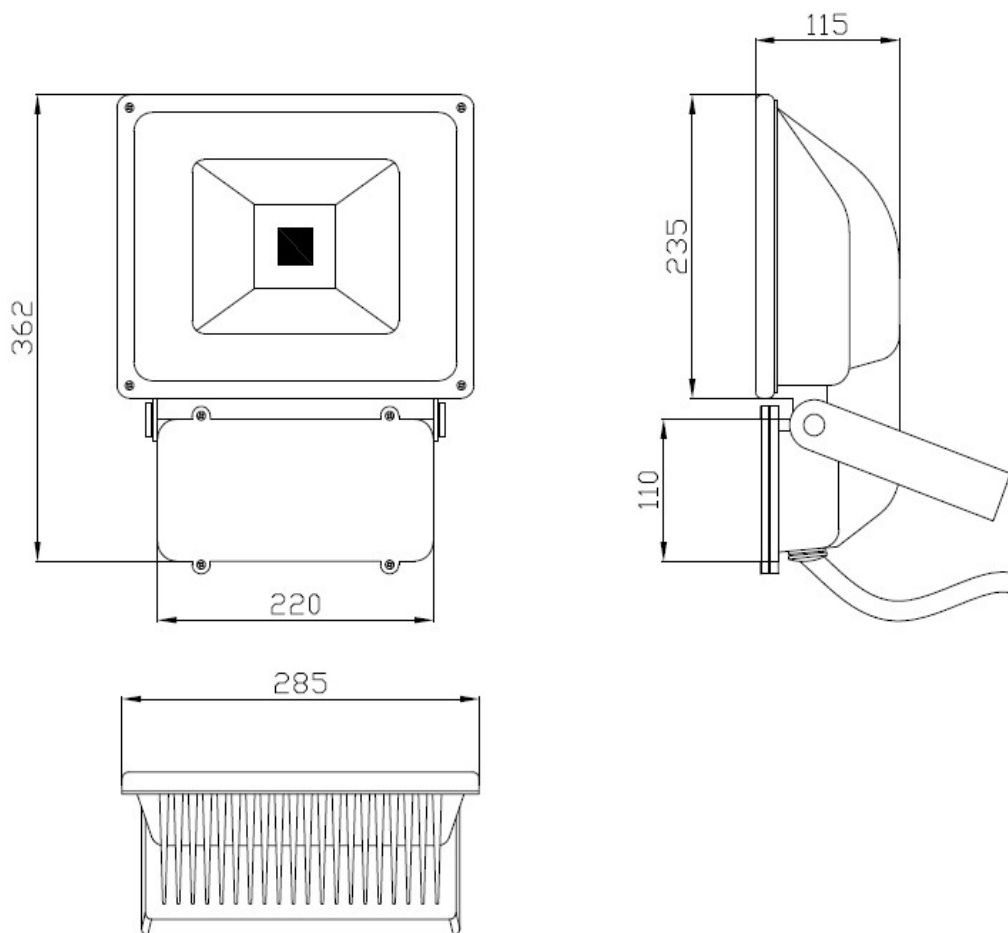
Specifications:

Commodity	80W high power LED Flood Light
Input Voltage	AC85-265V
Frequency Range	50~60Hz
Power Factor (PF)	> 0.9
Lamp's Efficiency (%)	> 90%
Led Power	80W
Led Luminous Efficiency	≥80-90 lm/w
Led Flux	≥6400-7200lm (Tj=25 °C)
Beam Angle	120°-140°
Color Temperature	cool white
Color Temperature	6000-6500K
Color Index(CRI)	Ra > 80
Working Temperature	(-30°C) ~ (45°C)
IP Rating	IP65
Working Life	50000 hrs



Dimensions:

ENGLISH



Applications:

Floodlighting and wall washing light for bars, clubs, hotels, stages, parks, squares, commercial buildings facade, museums, and art galleries, historical buildings.

