



HF-Performer III for TL5 lamps

HF-P 3/414 TL5 III 220-240V 50/60Hz IDC

HF-Performer III TL5 is a sustainable, slim and high-frequency electronic ballast for TL5 and TL5 Eco fluorescent lamps. It is ideal for applications where high energy efficiency is required. The HF-Performer III range has a robust design, meets all relevant international safety and performance standards and is energy-efficient (CELMA EEI A2 BAT).

Product data

• General Characteristics

Application code	III
Rated Lamptype	TL5
Rated Number of Lamps	3/4 piece
Rated Ballast-Lamp Power	14
Line Voltage	220-240 V
Line Frequency	50/60 Hz
Housing	L 280x40x21
Energy Efficiency Index	A2 BAT
Lifetime 90% surv.@Tcaselife	100000 hr
Ignition Method	Programmed Start

• Operating Characteristics

Automatic restart	Yes
Preheat time	0.5 s
Ignition time	0.9 (max) s
Operating frequency	46 kHz
Mains voltage safety (AC)	-10%/+10%
Mains voltage performance (AC)	-8%/+6%
Inrush current Peak	24 (max) A
Inrush current Width	0.25 ms
Earth leakage current	0.5 mA
Power losses gear	3.5-5.0 W
Constant wattage deviation	-2%/+2%
Ballast Lumen Factor	1.0 -
PowerFactor 100% output power	0.99 -
Battery voltage lamp ignition	176-275 V

Battery voltage running lamps	186-275
Overvoltage protection 320Vac	48 hr
Overvoltage protection 350Vac	2 hr
Max ballast on MCB(16A type B)	28 x
Crestfactor	1.7 (max) -
Hum and Noise level	< 30 dB(A)
Total Harmonic Distortion EUR	6.54 %

• Wiring Characteristics

Cable-Cap output-wires to earth	200 pF
Cable-Cap output-wires mutual	200 pF
Conn.type input terminals	WAGO 251 universal connector [Suitable for both automatic wiring (ALF and ADS) and manual wiring]
Conn.type output terminals	WAGO 251 universal connector [Suitable for both automatic wiring (ALF and ADS) and manual wiring]
Max. cable length	0.75 m
Hot Wires	
Striplength	8.0-9.0 mm
Dual fixture Master/Slave	Not applicable [Master/Slave oper. not applicable]
Wcs Input terminals	0.50-1.50 mm ²
Wcs Output terminals	0.50-1.50 mm ²



HF-Performer III for TL5 lamps

• System Chars on driver level

Rated Lamp Power on TL5	14
System Power on TL5	45/61
Lamp Power on TL5	41.5/56.0
Power Loss on TL5	3.5/5.0

• Temperature Characteristics

T-case life	80 C
T-case maximum	80 (max) C
T-ignition	-25 (min), 60 (max) C
T-ambient	-25 (min), 60 (max) C
T-storage	-40 (min), 50 (max) C

• Emergency Characteristics

Bal Lm Fac Emergency operation	0.7 -
Light output after 5 sec	50% of EBLF
Light output after 60 sec	100% of EBLF
Normal operating voltage (DC)	220-240 V
Batt volt guaranteed ignition	186-275 V
Batt volt guaranteed operation	176-275 V

• Product Dimensions

Length A1	280.0 mm
Fixing Hole Distance	265.0 mm
Length A2	
Width B1	39.0 mm
Height C1	21.0 mm
Fixing Hole Diameter D1	4.2 mm

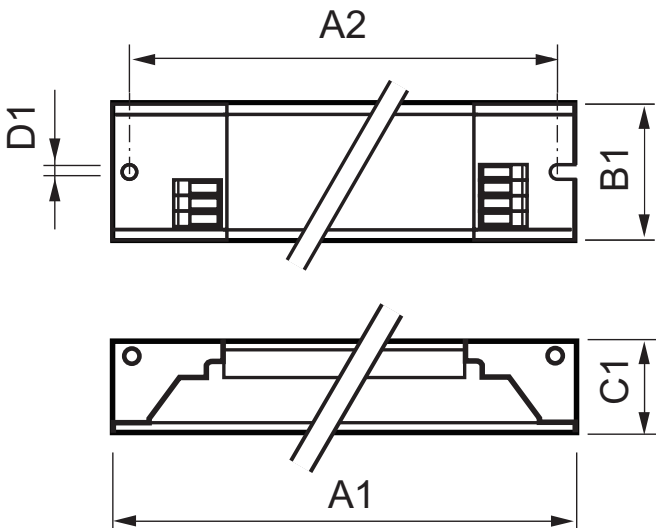
• Approval & Application Chars

EMI 9kHz .. 30 MHz	EN 55015
EMI 30 MHz .. 1000MHz	EN 55022 level B [Level = Class]
Safety Standard	IEC 61347-2-3
Performance Standard	IEC 60929
Quality Standard	ISO 9000:2000
Environmental Standard	ISO 14001
Harmonic current emissions	IEC 61000-3-2
EMC Immunity	IEC 61547
Vibrations	IEC 68-2-6 Fc
Bumps	IEC 68-2-29 Eb
Humidity	EN 61347-2-3 clause 11
Approval marks	ENEC / VDE-EMV
CE marking	Yes
Temperature marking	110 [Yes]
Emergency standard	IEC 60598-2-22

• Product Data

Order code	721253 00
Full product code	871829172125300
Full product name	HF-P 3/414 TL5 III 220-240V 50/60Hz IDC
Order product name	HF-P 3/414 TL5 III 220-240V 50/60Hz IDC
Pieces per pack	1
Packing configuration	10
Packs per outerbox	10
Bar code on pack - EAN1	8718291721253
Bar code on outerbox - EAN3	8718291721260
Logistic code(s) - 12NC	913713033966
Net weight per piece	195.000 gr

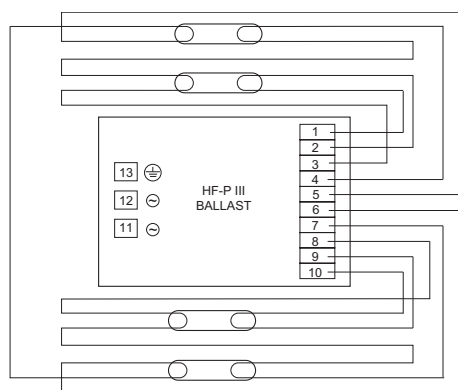
Dimensional drawing



HF-P 3/414 TL5 III 220-240V 50/60Hz IDC

Product	A1 (Norm)	A2 (Norm)	B1 (Norm)	C1 (Norm)	D1 (Norm)
HF-P 3/414 TL5 III 220-240V 50/60Hz IDC	280.0	265.0	39.0	21.0	4.2

Dimensional drawing



HF-P 3/414 TL5 III



© 2015 Koninklijke Philips N.V. (Royal Philips)
All rights reserved.

Specifications are subject to change without notice. Trademarks are the property of Koninklijke Philips N.V. (Royal Philips) or their respective owners.

www.philips.com/lighting

2015, August 29
data subject to change